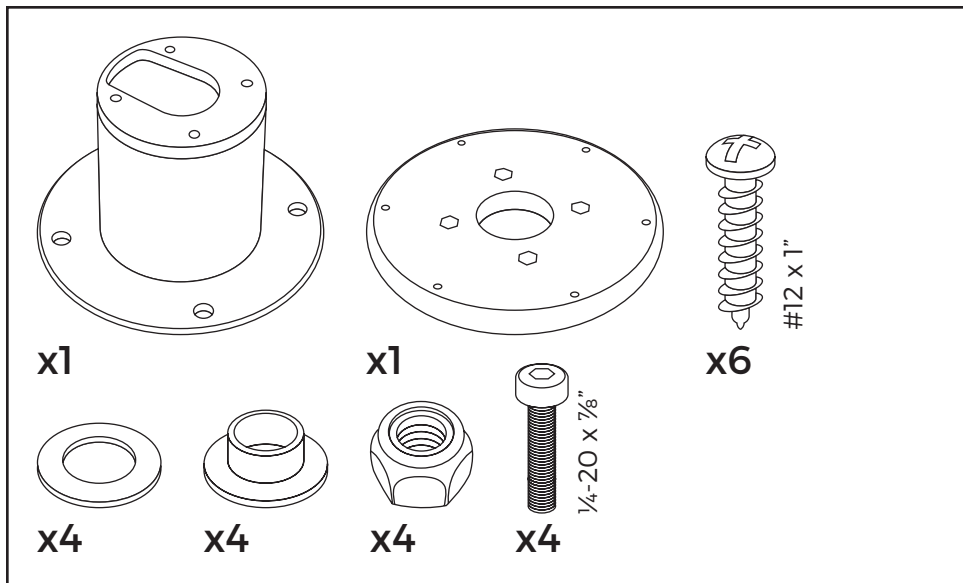


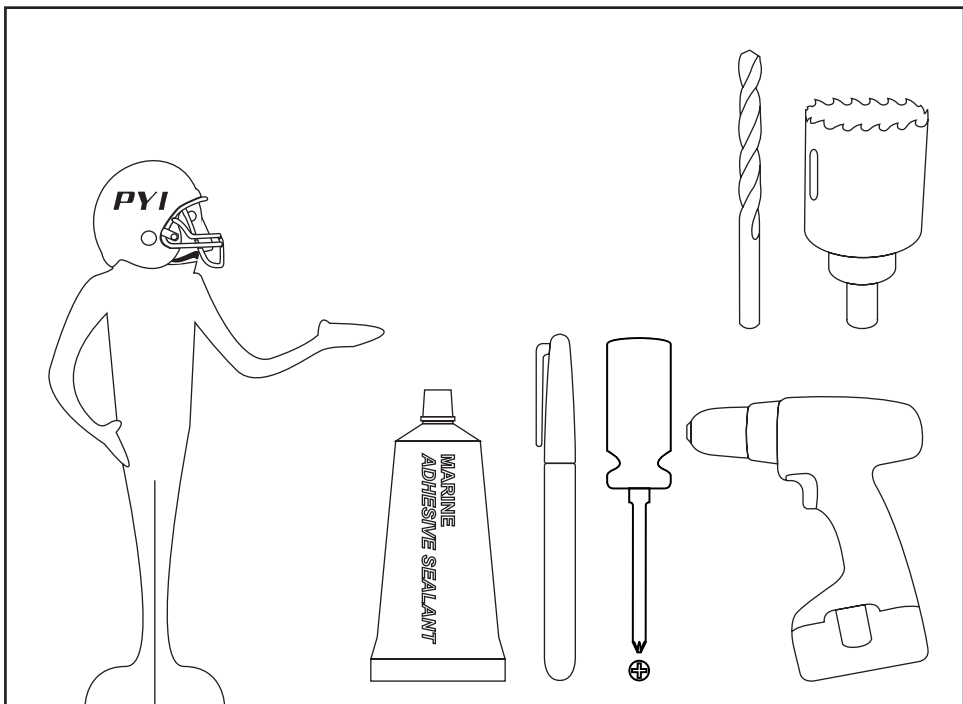
PM5-FMH-8

INSTALLATION INSTRUCTIONS

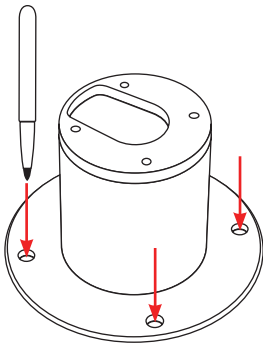
PARTS INCLUDED



TOOLS NEEDED

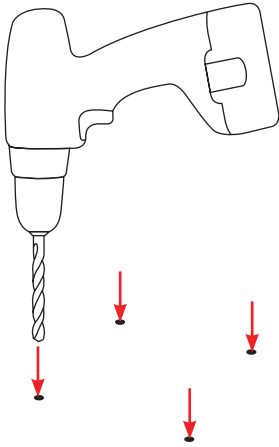


1



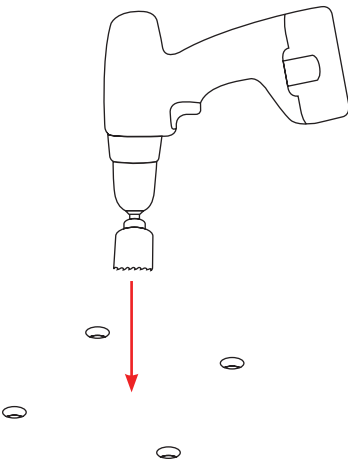
Mark the four holes for the base.

2



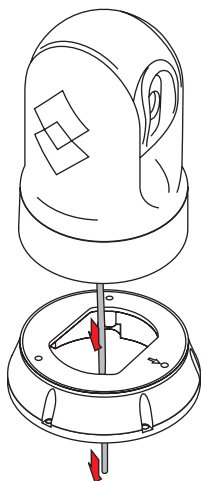
Drill the four holes for the base.

3



Using a hole saw, cut a hole for the electronics cable.

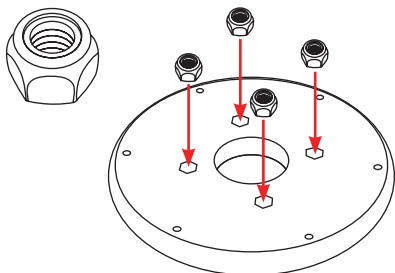
4



Route the electronics cable through the FLIR adapter plate and place the camera on top of the adapter.

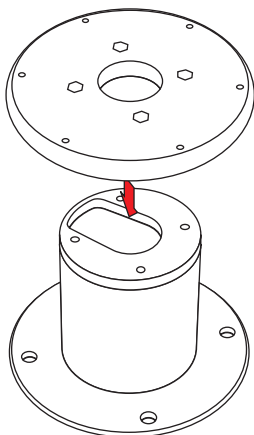
Secure the FLIR M100 or M200 to the adapter with the supplied hardware. Refer to FLIR instructions on how to bolt them together.

5



Insert the four nuts into the top plate of the PM5-FMH-8.

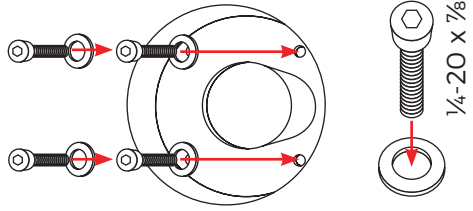
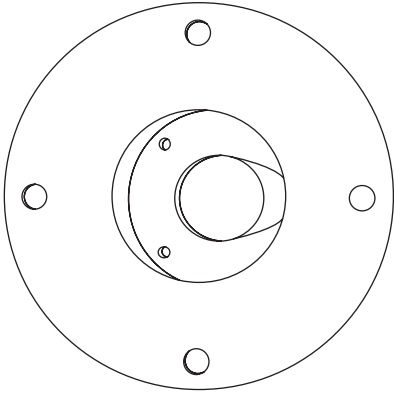
6



Place the top mounting plate onto the PM5-FMH-8. Be sure that the four mounting holes are lined up.

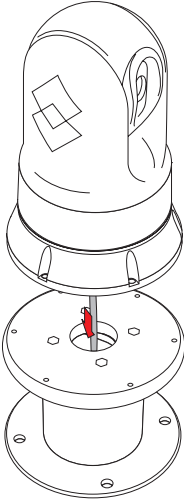
7

Secure the mounting plate to the mount using the four washers and bolts using an allen wrench.



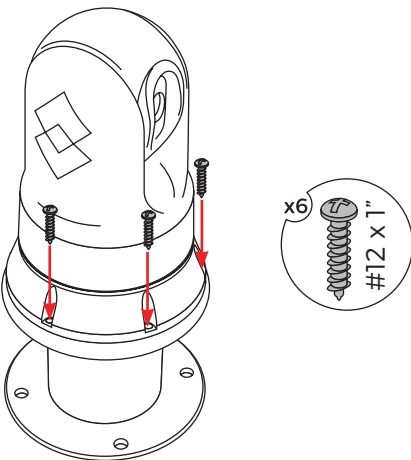
8

Place the camera on top of the mounting plate, making sure to line up the six mounting holes.

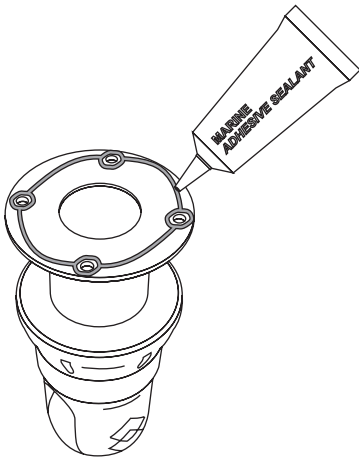


9

Screw the adapter plate to the PM5-FMH-8 using the six #12 x 1" screws with a philips head screwdriver.

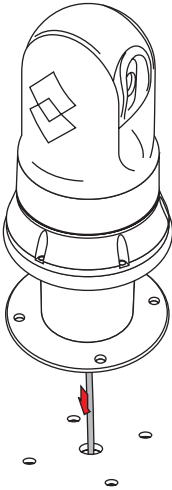


10



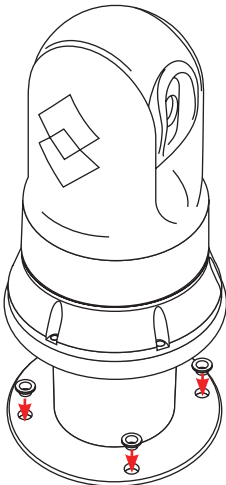
Apply marine adhesive sealant around the bottom of the mount. Be sure to go around the bolt holes.

11



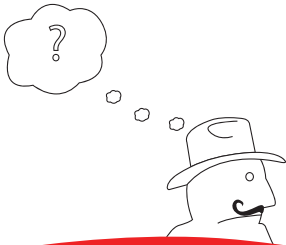
Place the mount onto the mounting surface.

12



Insert the four nylon washers into the base bolt holes. Apply marine adhesive sealant around the nylon washers.





NORTH AMERICAN OFFICE

12532 Beverly Park Road,
Lynnwood, WA 98087
Tel: 800-523-7558
Fax: 425-355-3661
www.seaviewglobal.com

EUROPEAN OFFICE

Tel: +33 4 94 53 27 70
Fax: +33 4 94 53 26 62
ZI Du Capitou, 85 Rue Louis
Lepine, Frejus 83600 - France
www.seaviewprogress.com