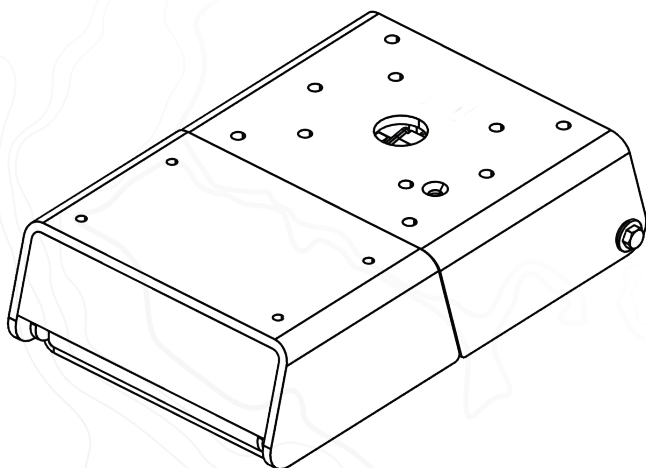


SEAVIEW

ELEVATE YOUR ELECTRONICS



INSTALLATION INSTRUCTIONS

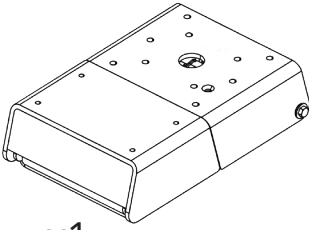
For Electrically Actuated Hinge:

SVEHB1

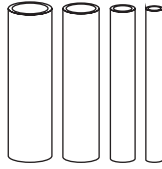
Refer to website for most up to
date instructions and videos.

WWW.SEAVIEWGLOBAL.COM

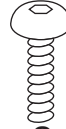
PARTS INCLUDED



x1
(SVEHB1)



x1
(CGDKIT)



x8
(M4716BHCS)



x6
(3816112BHCS)
3/8 inch = 9.5mm



x8
(CSWASHER)



x6
(38SB)



x6
(3816NUT)

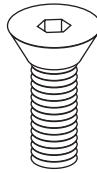


x6

TOOLS NEEDED



x1



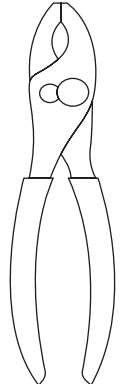
x8
5/16-18



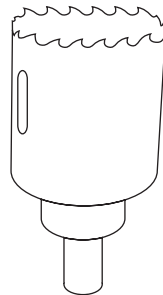
5/16" = 7.94mm



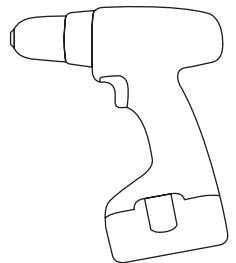
1/2" = 12.7mm



Sudbury Elastomeric Marine Sealant is recommended. To purchase call 800-655-7922 or visit www.seaviewglobal.com

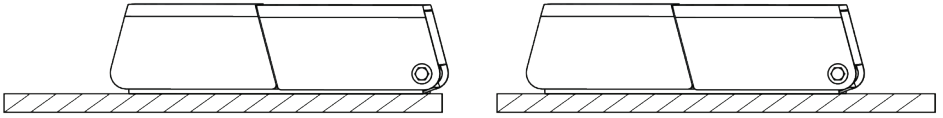


2" = 51mm

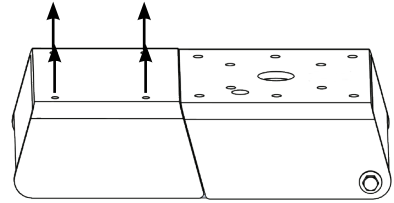


1 Determine mounting location. Ideally on the forward or aft edge of the mounting surface.

You can mount this further from the edge, just make sure the mast etc. will not hit the mounting surface!

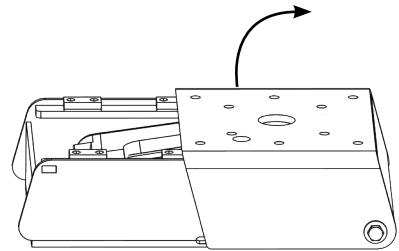


2 Remove the four bolts to remove the access panel.



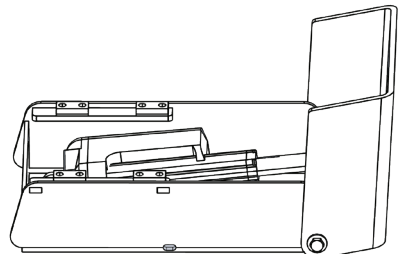
3 Power the actuator to open hinge plate.

Tip: You can use a cordless drill battery to open the hinge.

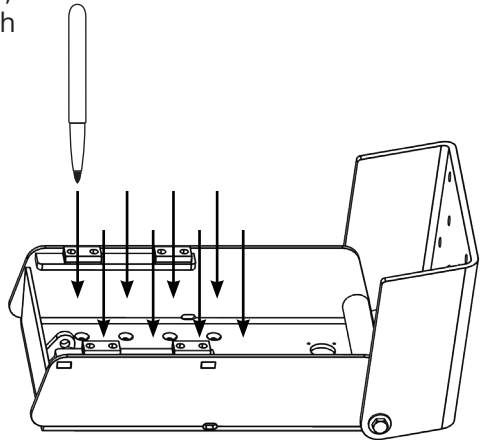


4 Remove the actuator to expose the base mounting holes. Also remove the cable seal lids to expose center hole.

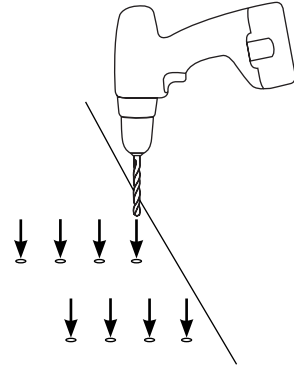
Tip: Take picture of how this is installed to refer back.



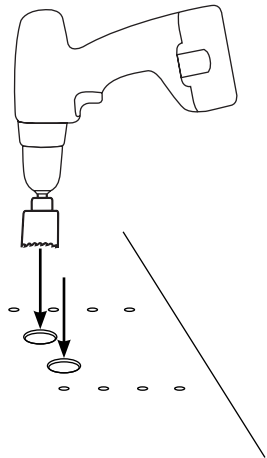
5 Mark the 8 bolt holes to drill, along with the center of each cable hole.



6 Drill the 8 bolt holes using the 5/16" drill bit.

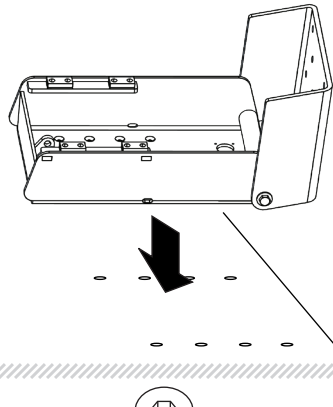


7 Using a 2" hole saw, cut two holes for the cables. Note: These locations are the center of each cable seal location.



8

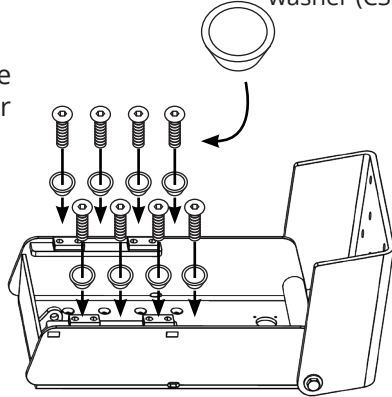
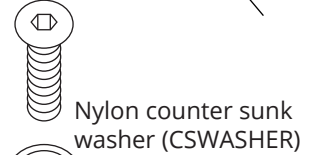
Place the hinge on to the mounting surface. Make sure to line up all the bolt holes.



9

Insert the eight 5/16" bolts through the top of the hinge base plate.

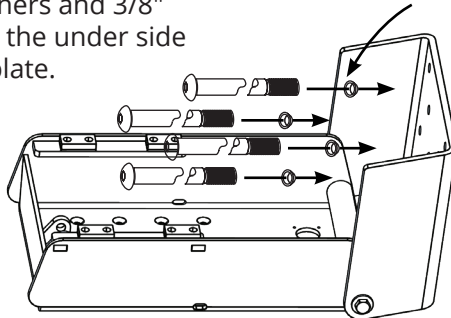
Note: Make sure the bolt length is long enough to get through mounting surface. We recommend a backing plate or oversized washers.



10

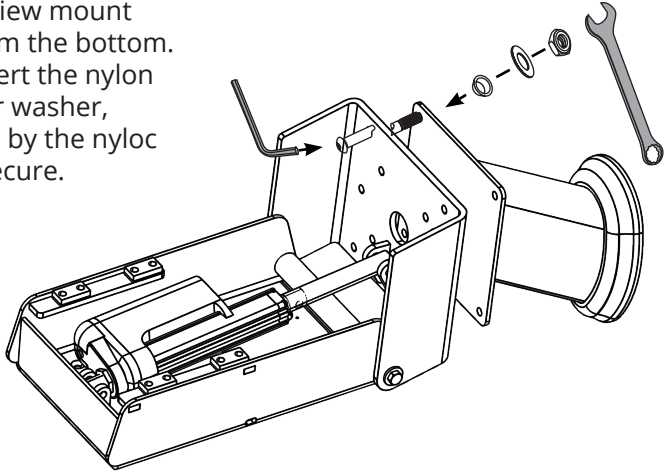
Insert 4 or 6 (depends on Seaview mount used) nylon shoulder washers and 3/8" bolts through the under side of the hinge plate.

Nylon shoulder washer (38SB)



11

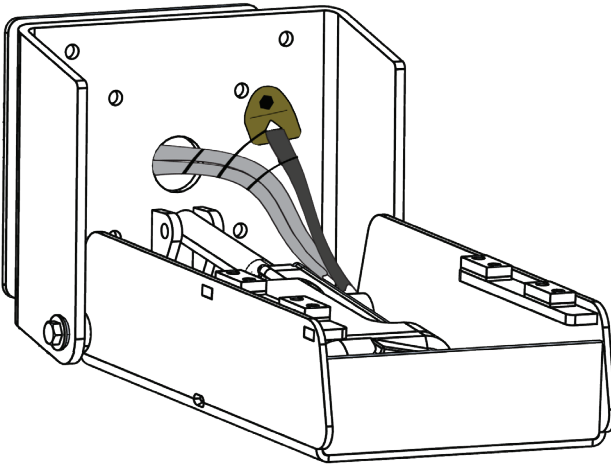
Fix the Seaview mount to the hinge plate. The bolts should enter the Seaview mount base from the bottom. Next insert the nylon shoulder washer, followed by the nyloc nut to secure.



12

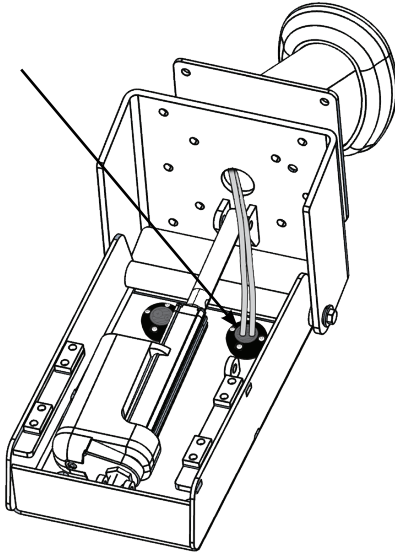
Route electronics cables through the base of the Seaview mount and hinge plate.

Tip: Cables could be strain relieved at the safety strap mounting point.



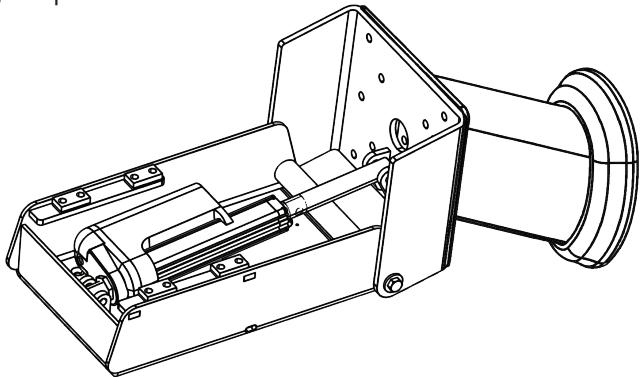
13

Route cables through cable seals as needed. Cable seal instructions found at the end of these instructions.



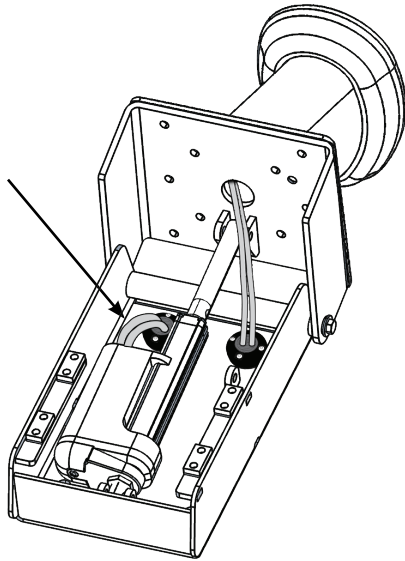
14

Re-install the actuator to its original position.



15

Route actuator cables through one of the cable seals.



16

For the actuator wiring and detailed information refer to this link:

<https://cdn.linak.com/-/media/files/user-manual-source/en/techline-la36-actuator-user-manual-eng.pdf> for the last pages of these instructions.

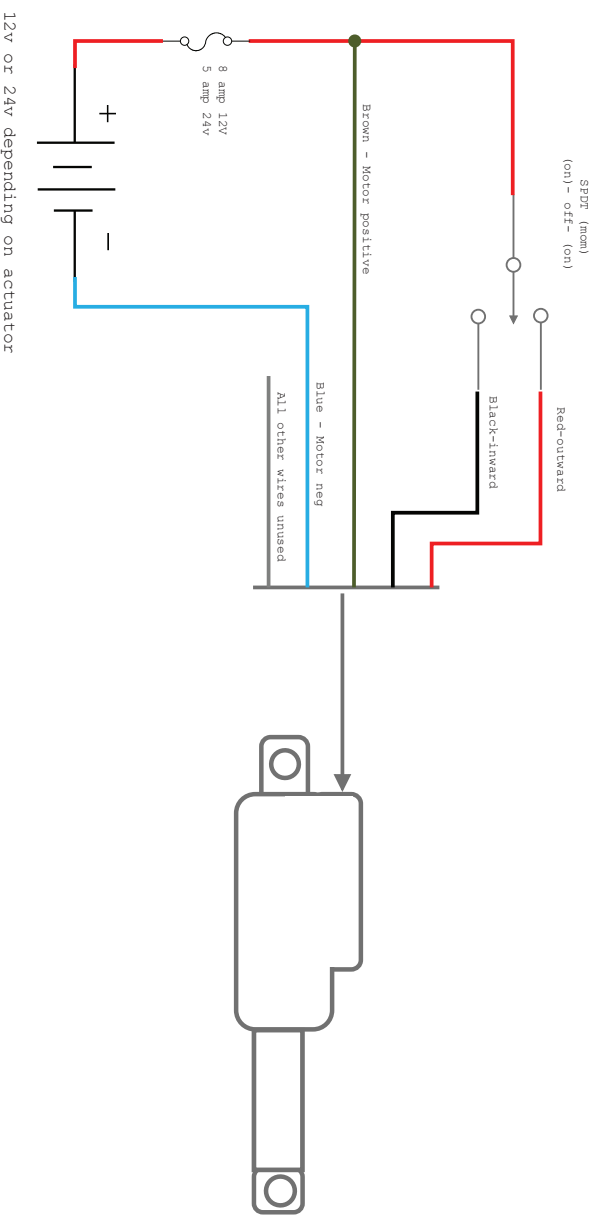
For any LINAK actuator questions please call 502-253-5595

17

Switch (options): The basic electrical criteria you want are *single pole double throw (SPDT) switch with a current rating of 100mA or higher.*

<https://www.blueseas.com/products/7933>





| | | |
|-----------|--------------------|--------|
| Title: | Seaview Fluge Wing | |
| Author: | KD | |
| Date: | 7/15/21 | |
| Revision: | 1.1 | Sheet: |

CABLE SEAL INSTRUCTIONS

SEAVIEW

For Cable Seal Part Numbers

| | | | | | |
|----------------|----------------|----------------|----------------|----------------|----------------|
| CG20PB | CG20PG | CG20PW | CG20SB | CG20SS | CG20SW |
| CG30PB | CG30PG | CG30PW | CG30SB | CG30SS | CG30SW |
| CGM17PB | CGM17PG | CGM17PW | CGM17SB | CGM17SS | CGM17SW |

Refer to website for most up to date instructions and videos.

www.seaviewglobal.com

PARTS INCLUDED



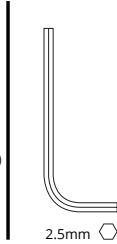
X4
(CGDTKIT)
Lx 6mm
Lx 8mm
Lx 10mm
Lx 12mm



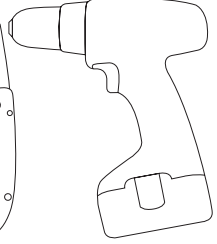
X4
(M4716BHCS)



X6
(634SMS316)

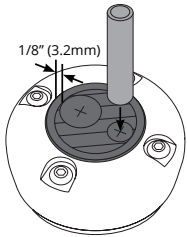


2.5mm



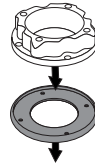
SUGGESTED TOOLS

BEFORE YOU BEGIN



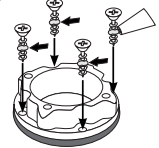
- It is not necessary to dry fit if using drill tubes. Dry fit is recommended if using a drill bit to securely hold the rubber in place.
- Make sure that you do not drill within 1/8" (3.2mm) from the edge of the tapered plug.
- Drill tube is recommended. However, if using a drill bit, a slightly larger drill bit is needed for drilling the rubber.
- Each cable seal will work with multiple cables. Make sure each cable has its own hole and there is at least .125" of rubber between each hole.

1



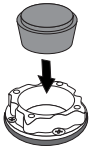
Place the plastic base onto the rubber base gasket. Be sure to line up the four screw holes.

2



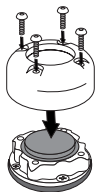
Drill pilot holes and secure the base. Apply marine sealant to the threads of the screws (optional).

3



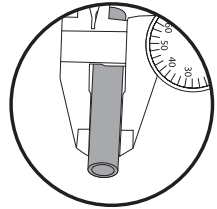
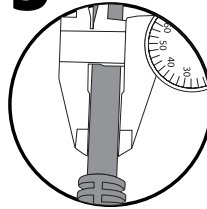
Insert the rubber tapered plug into the base.

4



Line up the Cable Seal cover with the four holes in the plastic base and screw the bolts in with a 2.5mm wrench, compressing the rubber plug.

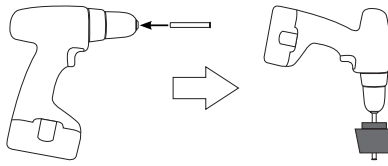
5



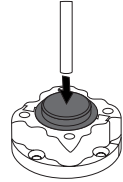
Measure your cable diameter and select the appropriate drill tube provided. Cable diameter $\pm .01$ -.03

6A**1**

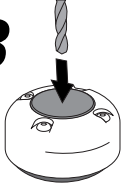
Take one of the four drill tubes (included with the Cable Seal). Double check to make sure the tube is the right diameter for your installation.

2

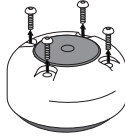
Insert drill tube into drill motor, and leave enough length to get through the tapered plug.

3

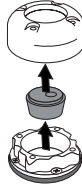
Apply small amount of soapy water to the tube and slowly drill the rubber plug.

6B

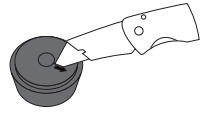
If using a drill bit, the cover should be securely tightened to help hold the rubber while drilling. The drill bit should be run repeatedly through the rubber.

7

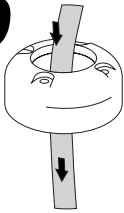
Remove the four screws using a 2.5 mm allen wrench.

8

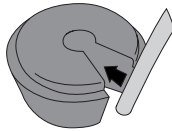
Remove the Cable Seal cover and tapered plug.

9

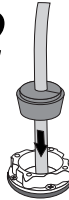
Using a sharp razor blade or knife, cut the tapered plug from the cable hole outward.

10

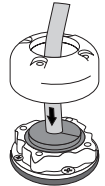
Slide the Cable Seal cover over the electronic cable.

11

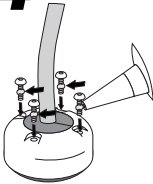
Wrap the tapered plug around the electronic cable.

12

Insert the electronic cable and tapered plug into the plastic base.

13

Slide the Cable Seal cover onto the plastic base making sure that all four bolt holes line up.

14

Apply marine sealant (optional) to the four allen head screws and tighten.

SEAVIEW//

800-655-7922

www.seaviewglobal.com

The background of the entire page is a light gray topographic map with white contour lines. The lines are irregular and wavy, representing terrain elevation. The map covers the entire page, with the text elements overlaid on it.

SEAVIEW///
ELEVATE YOUR ELECTRONICS

SEAVIEW///

Tel: 800-655-7922
www.seaviewglobal.com

EUROPEAN OFFICE

Tel: +33 4 94 53 27 70
www.seaviewprogress.com