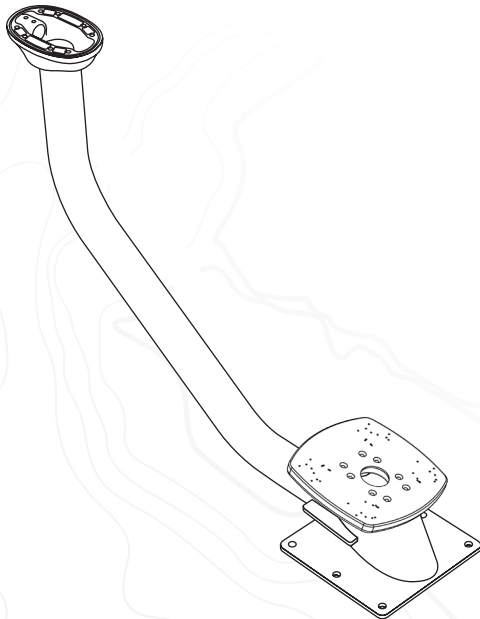


# **SEAVIEW**

**ELEVATE YOUR ELECTRONICS**



## **INSTALLATION INSTRUCTIONS**

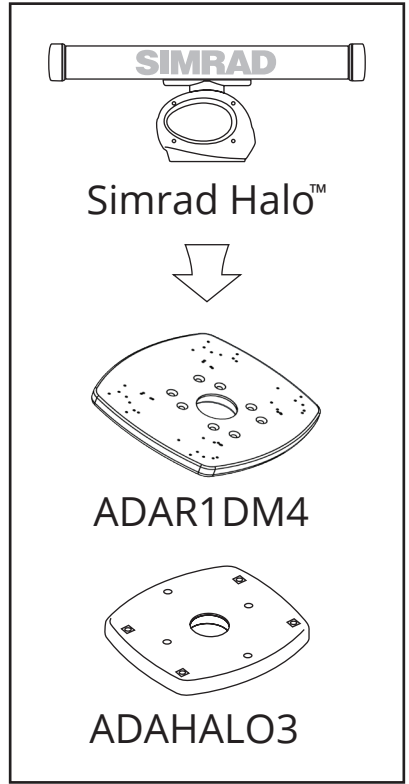
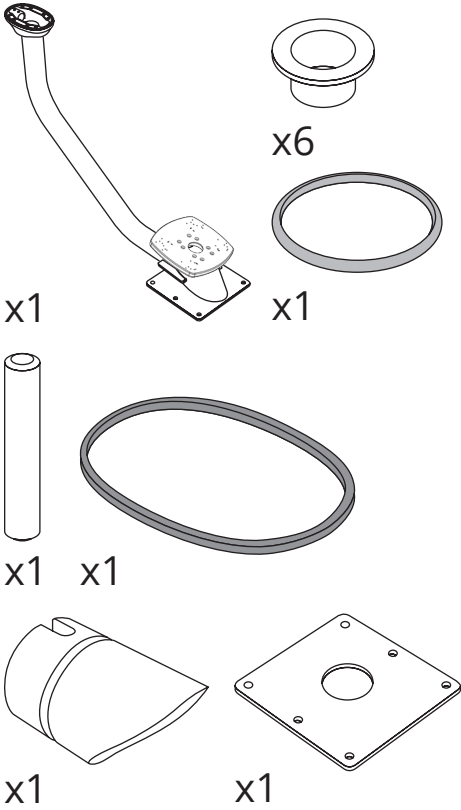
For Seaview Modular Dual Mount:

**PMADM3M1**

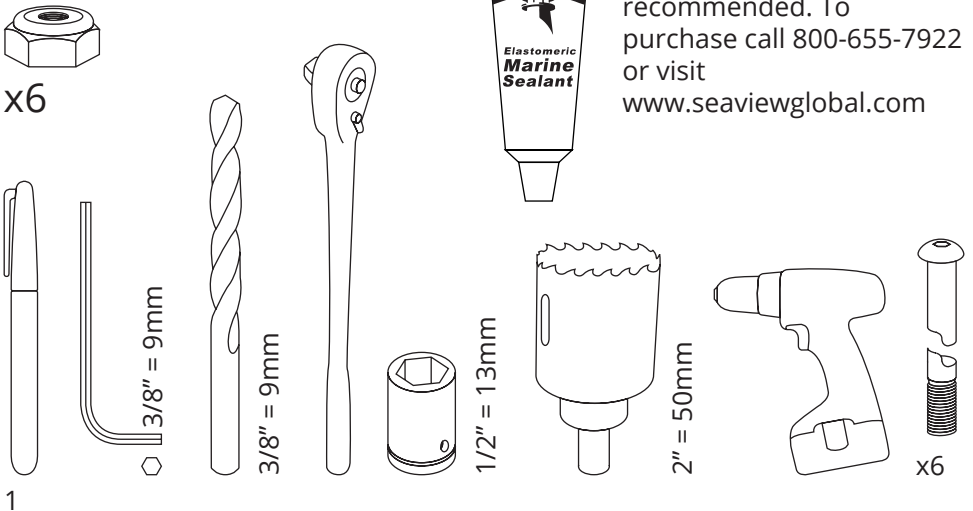
Refer to website for most up to  
date instructions and videos.

**[WWW.SEAVIEWGLOBAL.COM](http://WWW.SEAVIEWGLOBAL.COM)**

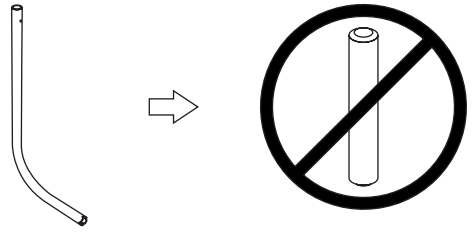
# PARTS INCLUDED



# TOOLS NEEDED

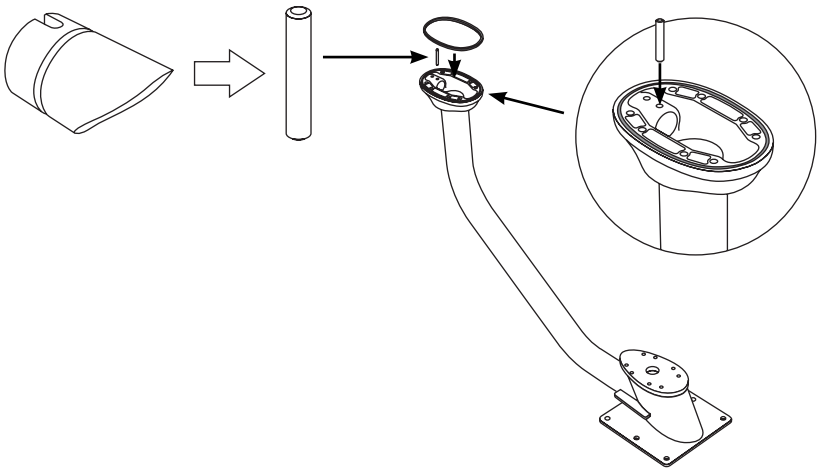


**1** If you are using a Seaview Light Bar you do NOT use the pin.



**2** If you are not using a Seaview Light Bar then insert the pin as shown below. Insert the white Light Bar Plug and o-ring into the Light Bar hole in the back of the mount. Make sure it clips onto the pin.

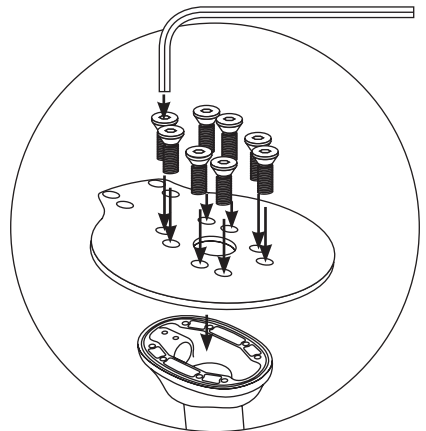
Place the rubber gasket onto the top of the Dual Mount as shown.



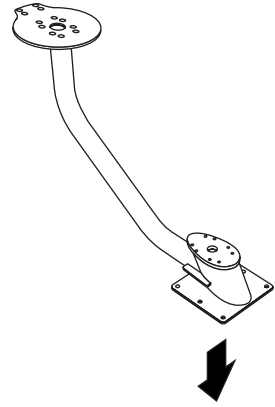
**3** Mount the Seaview Modular Top Plate to the Dual Mount with the eight bolts that come with the Modular Top Plate.

Then insert the rubber cable grommet into the Modular Top Plate.

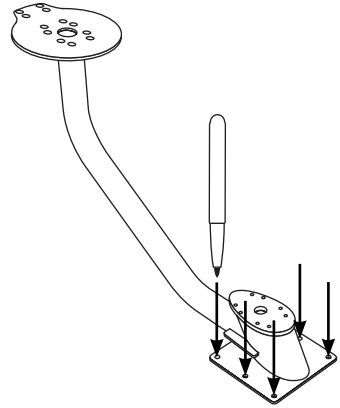
Refer to the provided Seaview Top Plate installation instructions for more information.



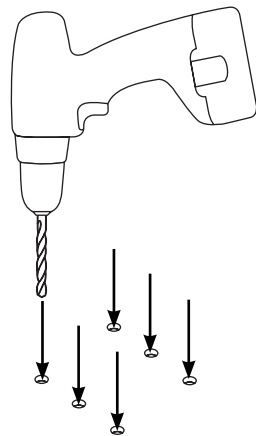
**4** Place the PMADM3M1 onto the mounting surface.



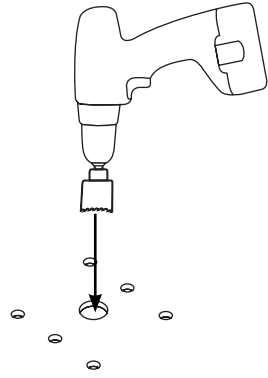
**5** Mark the six base holes for drilling.



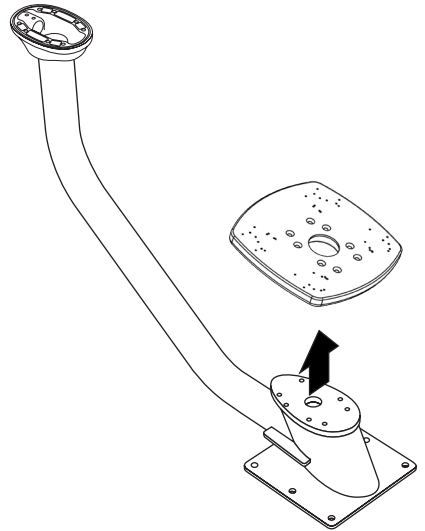
**6** Remove the mount and drill the six bolt holes using a 3/8" drill bit.



**7** Using a hole saw, drill a hole for the cables.



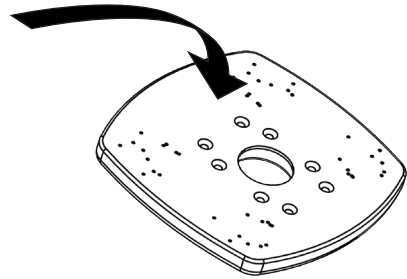
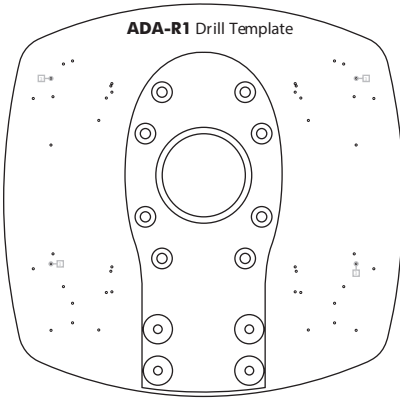
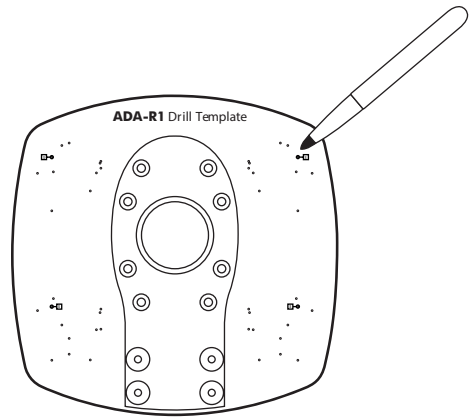
**8** Remove the Top Plate as shown.



# 9

Place the ADAR1 Drill Template on top of the ADAR1DM4 top plate. Then mark the 4 holes for your radar. Refer to the last page for the drill guide.

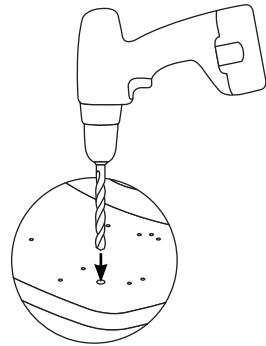
If you have the Simrad Halo open array then you mark the holes at #3.



---

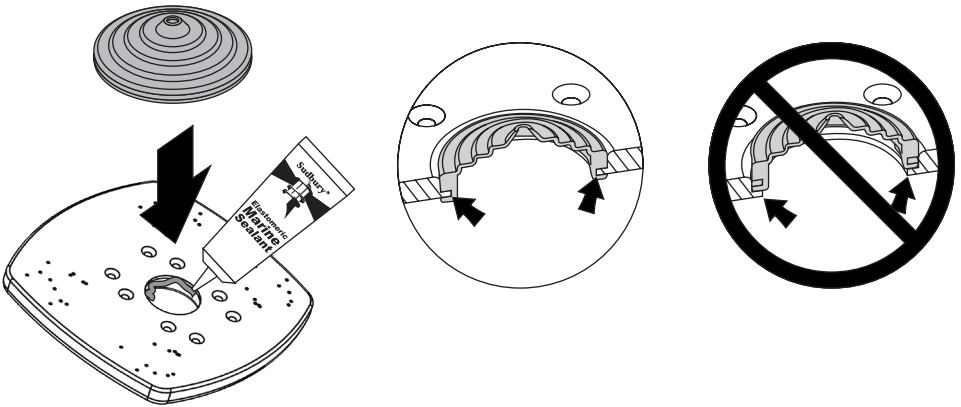
# 10

Drill the four holes you just marked.



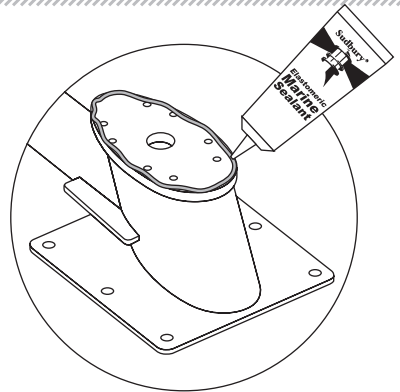
# 11

Apply marine adhesive sealant along the lip in the center hole on the mounting plate. Be sure that the center lip falls into the groove in the grommet.



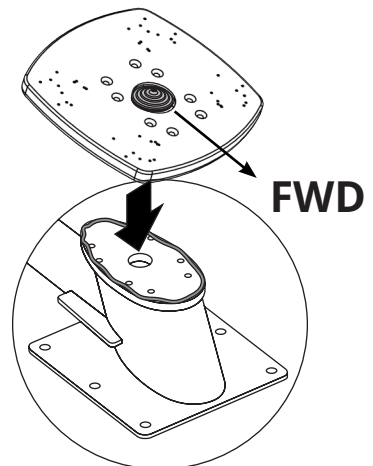
# 12

Apply marine adhesive sealant to the PMADM3M1 as shown.



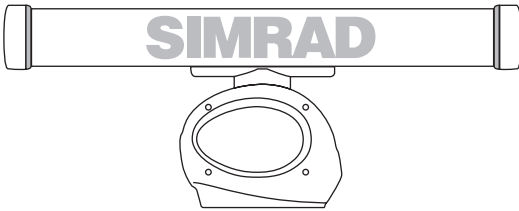
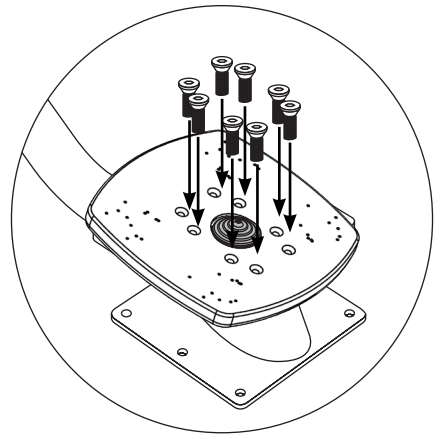
# 13

Place the radar Top Plate onto the PMADM3M1 making sure that the eight bolt holes line up. Note forward position when installing the plate.

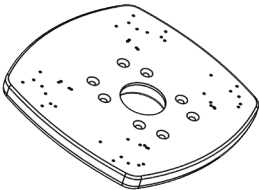
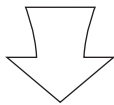


# 14

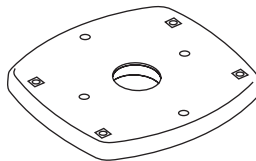
Secure the radar Top Plate to the PMADM3M1 with the eight bolts.



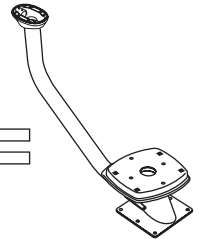
Simrad Halo™



ADAR1DM4



ADAHALO3

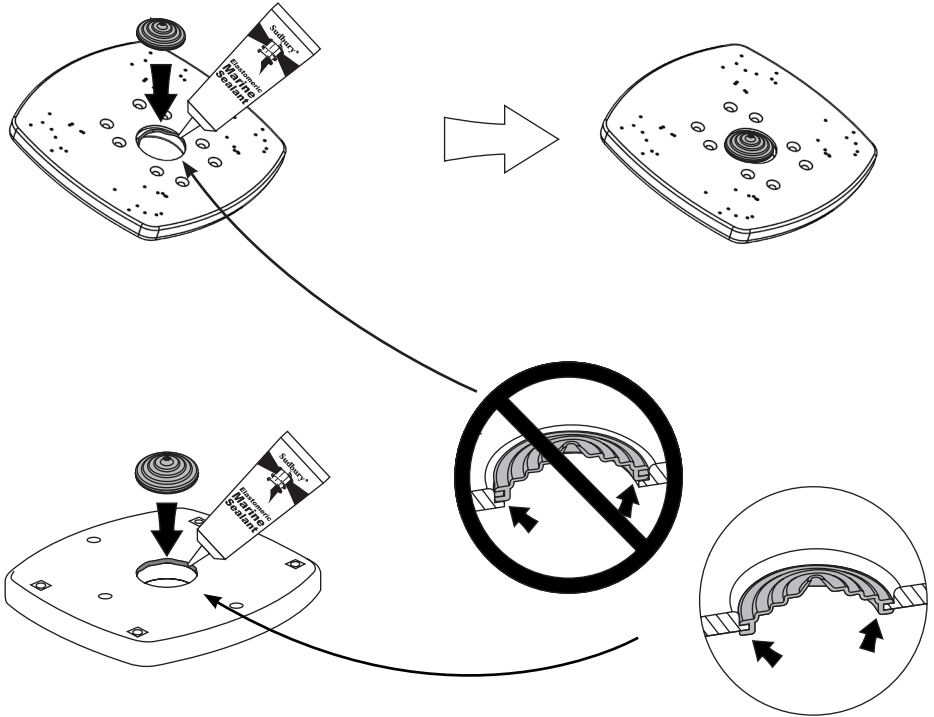


# 15 - 19



# 15

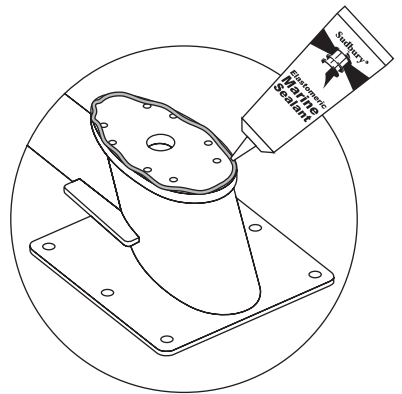
Apply marine adhesive sealant along the lip in the center hole on the top plate. Route the cables through the center hole in the top plate. Then insert through the black rubber grommet. When inserting the black rubber grommet into the top plate be sure that the center lip falls into the groove in the grommet.



---

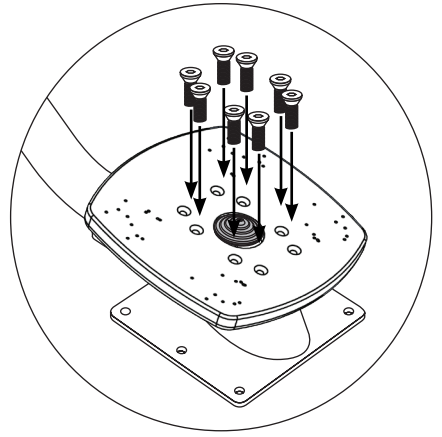
# 16

Apply marine adhesive sealant to the PMADM3M1 as shown.



# 17

Secure the radar Top Plate to the PMADM3M1 with the eight bolts.

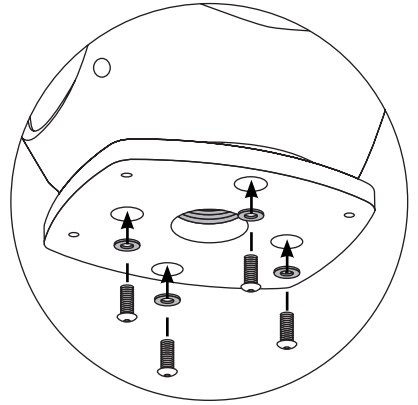
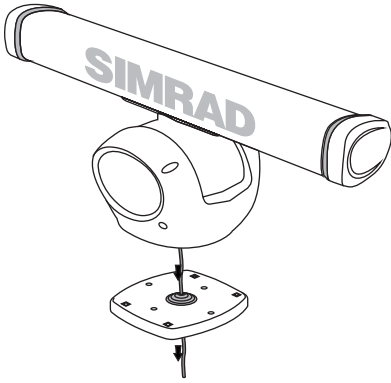


---

# 18

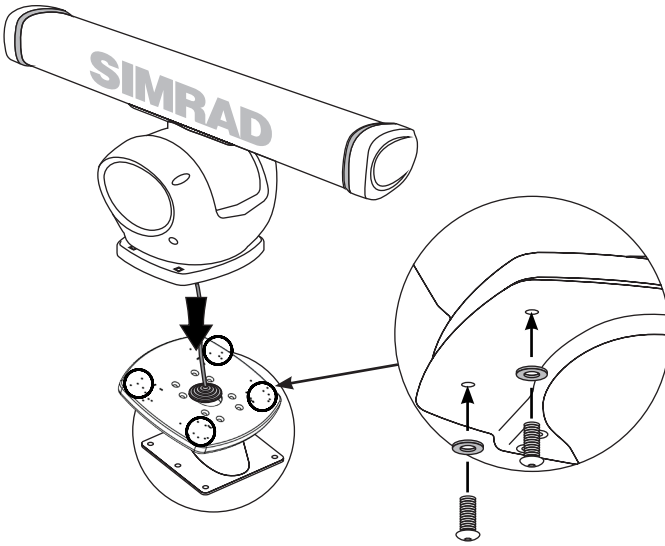
Route the cables from the Simrad Halo through the rubber grommet.

Secure the plate to the Simrad Halo using the hardware that came with the unit.



# 19

Secure the assembly to the ADA-R1 Top Plate.

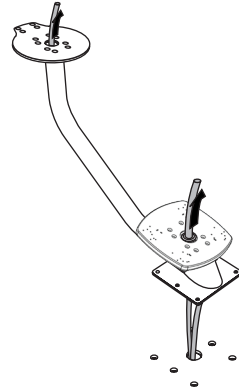


# 20

Route the cables through the mount.

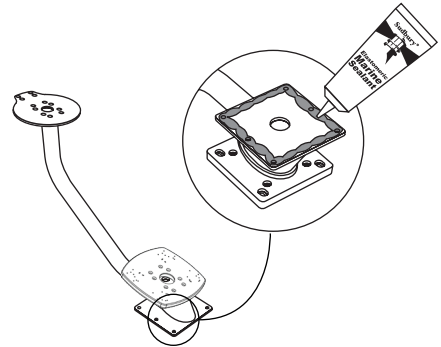
## TIP

Place the connector of the cable into a plastic bag. Apply Vaseline to the exterior of the plastic bag. Then try routing the connector/cable through the black rubber grommet.



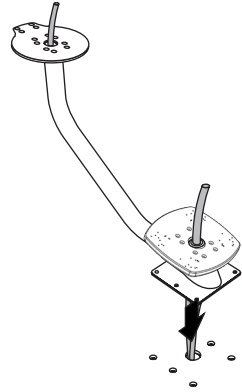
# 21

Apply marine adhesive sealant to the bottom of the mount.



# 22

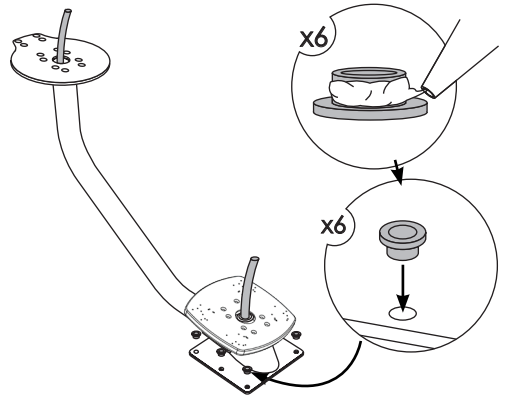
Lower the mount onto the mounting platform. Be sure to line up the mount with the six bolt holes you previously drilled.



---

# 23

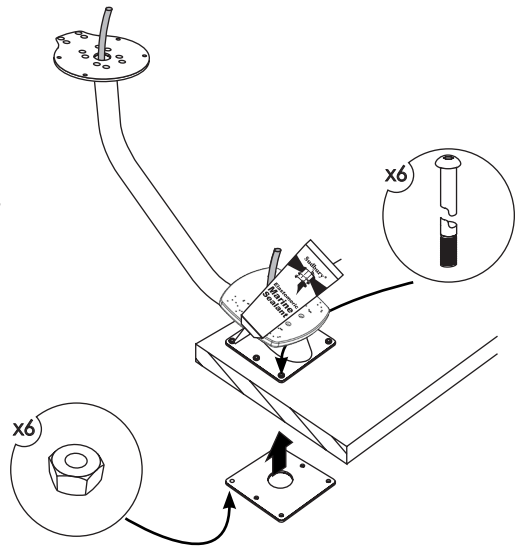
Apply marine adhesive sealant to the six nylon shoulder washers and insert them into the six bolt holes on the base.



# 24

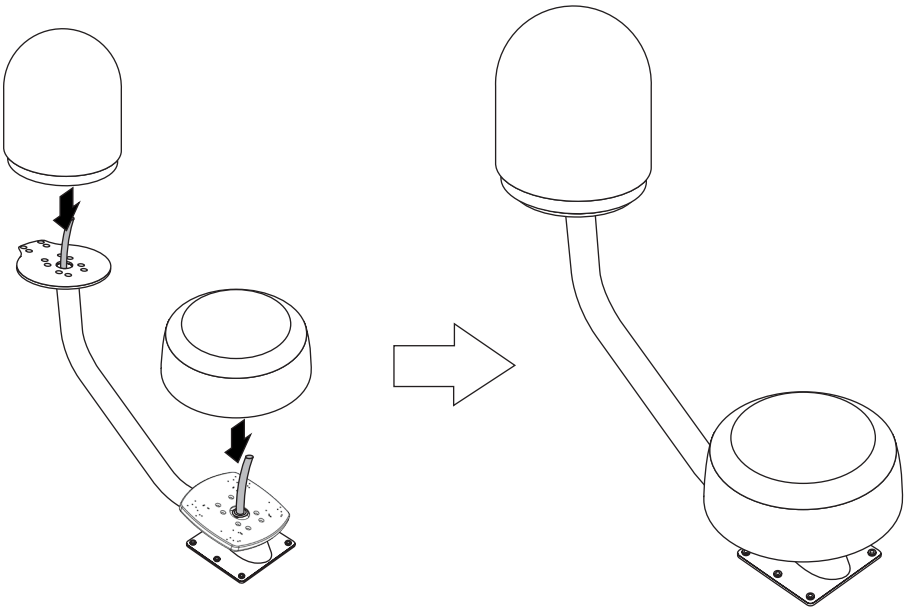
Use the provided backing plate. Apply marine adhesive sealant to all bolt holes.

Then secure with your own hardware.



# 25

Mount and secure all electronics with your own mounting hardware.





A background of a topographic map with contour lines, rendered in a light gray color. The map shows various landmasses and water bodies, with the lines indicating elevation and terrain features.

***SEAVIEW***///  
***ELEVATE YOUR ELECTRONICS***

***SEAVIEW***///

Tel: 800-655-7922  
[www.seaviewglobal.com](http://www.seaviewglobal.com)

***EUROPEAN OFFICE***

Tel: +33 4 94 53 27 70  
[www.seaviewprogress.com](http://www.seaviewprogress.com)