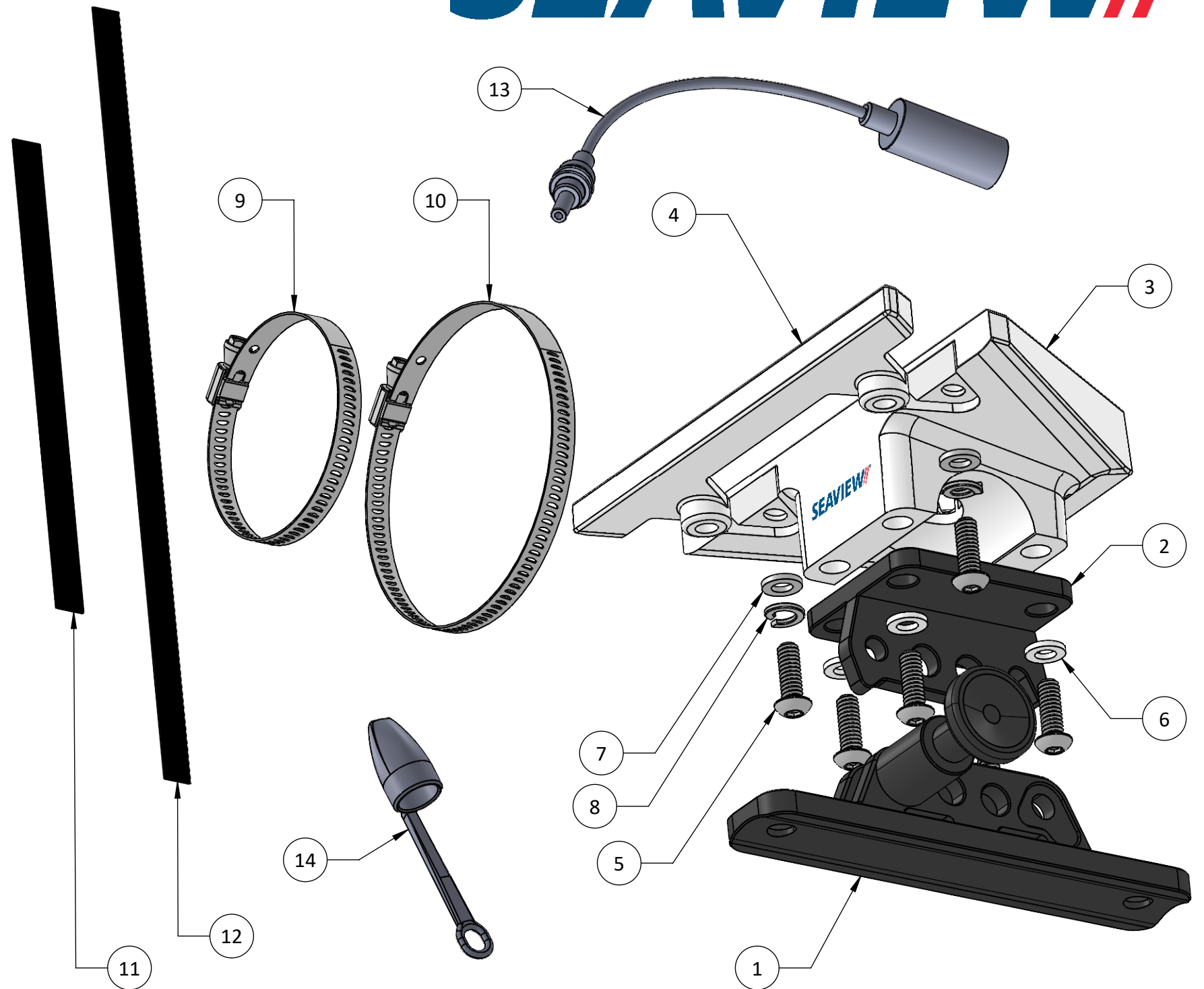


ITEM NO.	PART NUMBER	DESCRIPTION	QTY.
1	APXMINIQRB	QUICK RELEASE BASE	1
2	APXMINIQR	QUICK RELEASE TOP	1
3	SVRCLMINIA	ASA STARLINK MINI ADAPTER CLAMP	1
4	SVRCLMINID	ASA ADAPTER LOCK WITH 316 SS INSERTS	1
5	142075BHCS	1/4-20x.75 BHCS	6
6	14NW	1/4" NYLON WASHER	4
7	M6WASHER	M6 STAINLESS STEEL WASHER	2
8	14LOCKWASHER	1/4" LOCK WASHER	2
9	N/A	HOSE CLAMP (44-67mm)	2
10	N/A	HOSE CLAMP (78-101mm)	2
11	N/A	HOSE CLAMP SLEEVE (6")	2
12	N/A	HOSE CLAMP SLEEVE (9-7/8")	2
13	SVSCCM	BREAKAWAY CABLE FOR STARLINK MINI	1
14	SMPLGC	PROTECTIVE CABLE PLUG	1

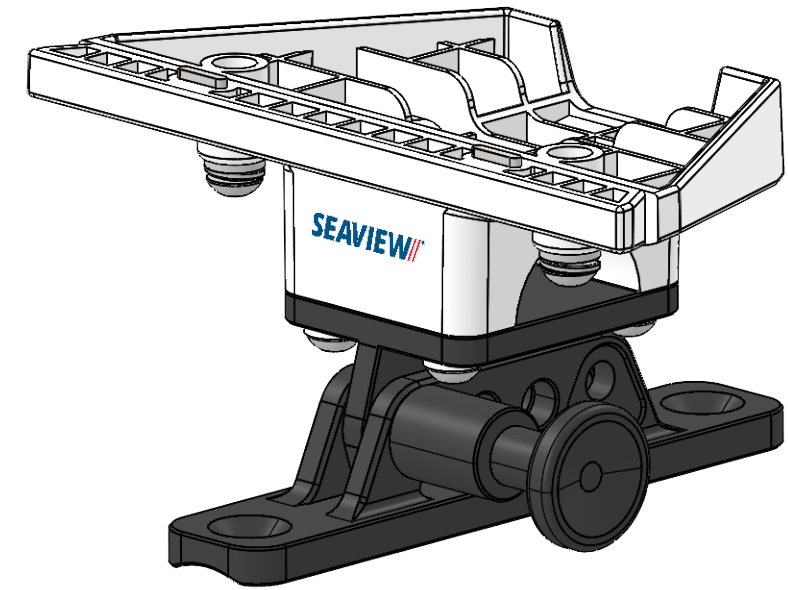
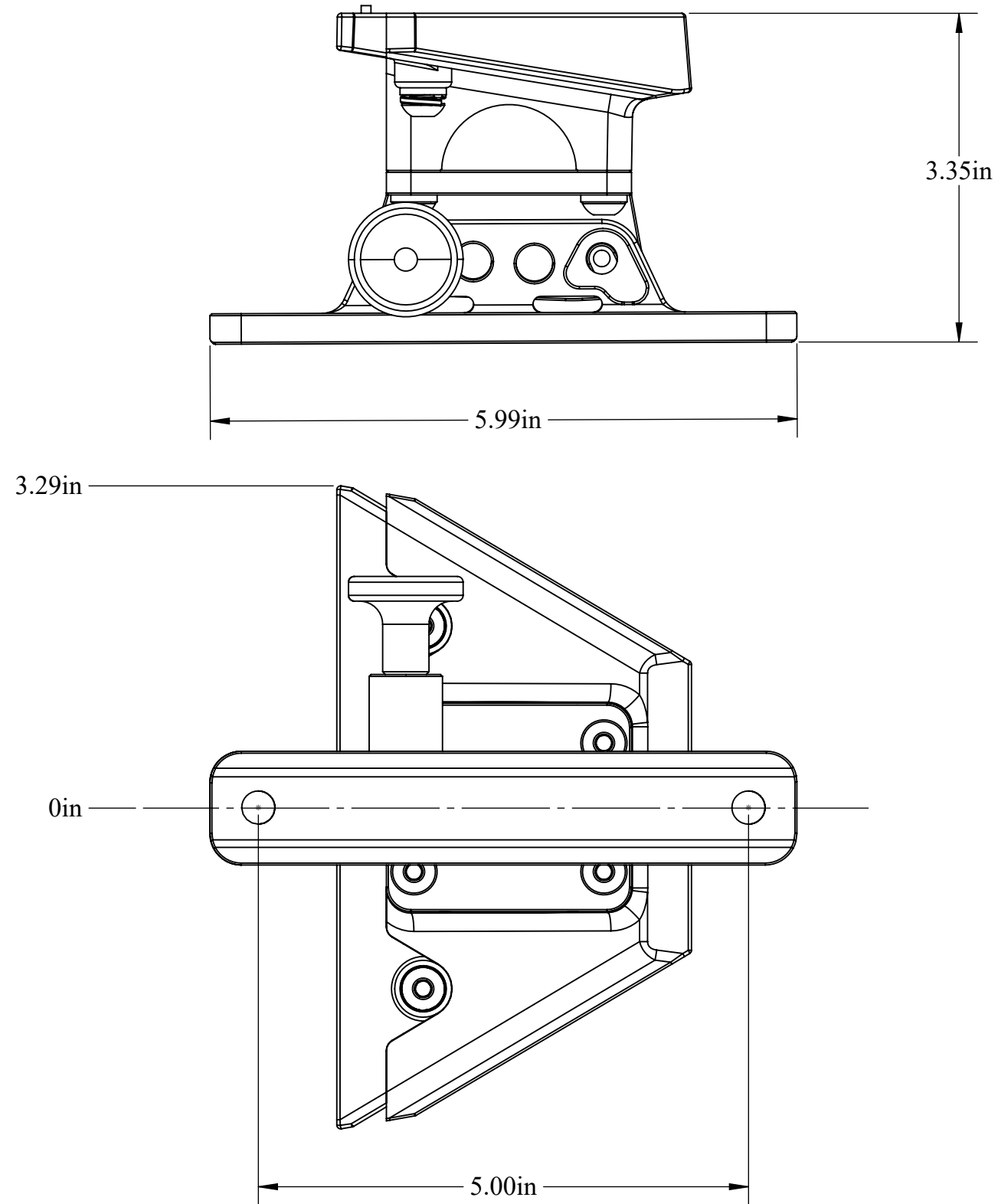
NOTES:

- BEFORE BEGINNING THIS INSTALLATION ENSURE THAT ALL NECESSARY CABLES ARE ROUTED PROPERLY.
- YOU WILL NEED AN ALLEN WRENCH, SCREWDRIVER, THREAD LOCKER, AND POSSIBLY A DRILL/MOUNTING HARDWARE (IF MOUNTING ON A FLAT SURFACE) IN ADDITION TO THE CONTENTS OF THIS KIT IN ORDER TO COMPLETE THIS INSTALLATION.



APXMINIQR

For help e-mail
info@seaviewglobal.com
 ph. 1-800-655-7922



APXMINIQR

For help e-mail
info@seaviewglobal.com
ph. 1-800-655-7922

INSTALLATION INSTRUCTIONS BEGIN ON NEXT PAGE

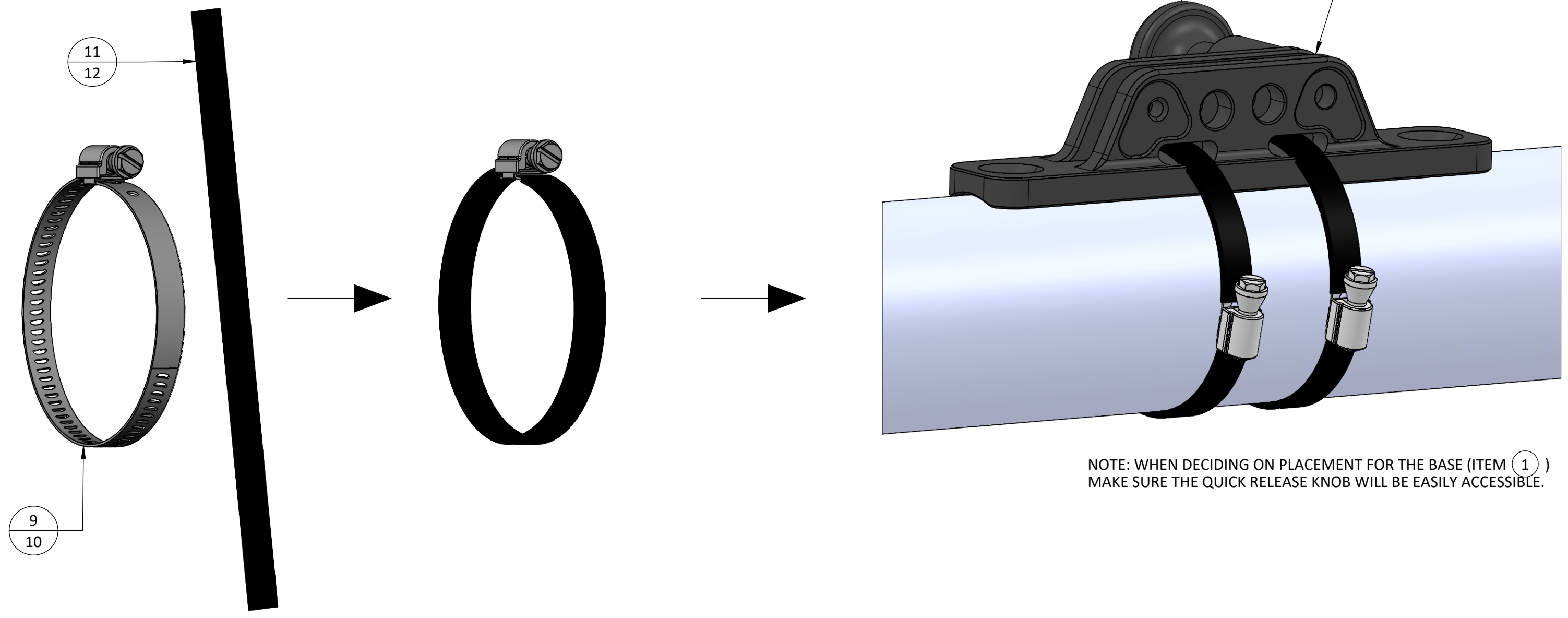
NOTE: It is strongly advised that all installations are carried out by an authorized installer who possesses the necessary expertise and experience in marine equipment installation. Furthermore, prior to the final installation process, we recommend performing a dry fit assembly of all components. This entails fitting the components in their designated positions on the boat without permanently affixing them. This step allows for careful assessment of compatibility, alignment, and any potential adjustments that may be required before proceeding with the actual installation.

For help e-mail
info@seaviewglobal.com
ph. 1-800-655-7922

1A

Mounting the base (on rail).

You have the option to mount the APXMINIQR to a rail or a flat surface. Two different sized sets of hose clamps/sleeves are included in this kit (items 9 - 12). Once you have determined which ones are appropriate for your application, slide the sleeve over the hose clamp to protect adjoining parts from abrasions. Then slide the clamps through the slots in the quick release base (item 1) as shown below and securely tighten them to rail in the desired orientation. **If you are mounting to a flat surface skip this step.**



NOTE: WHEN DECIDING ON PLACEMENT FOR THE BASE (ITEM 1) MAKE SURE THE QUICK RELEASE KNOB WILL BE EASILY ACCESSIBLE.

APXMINIQR

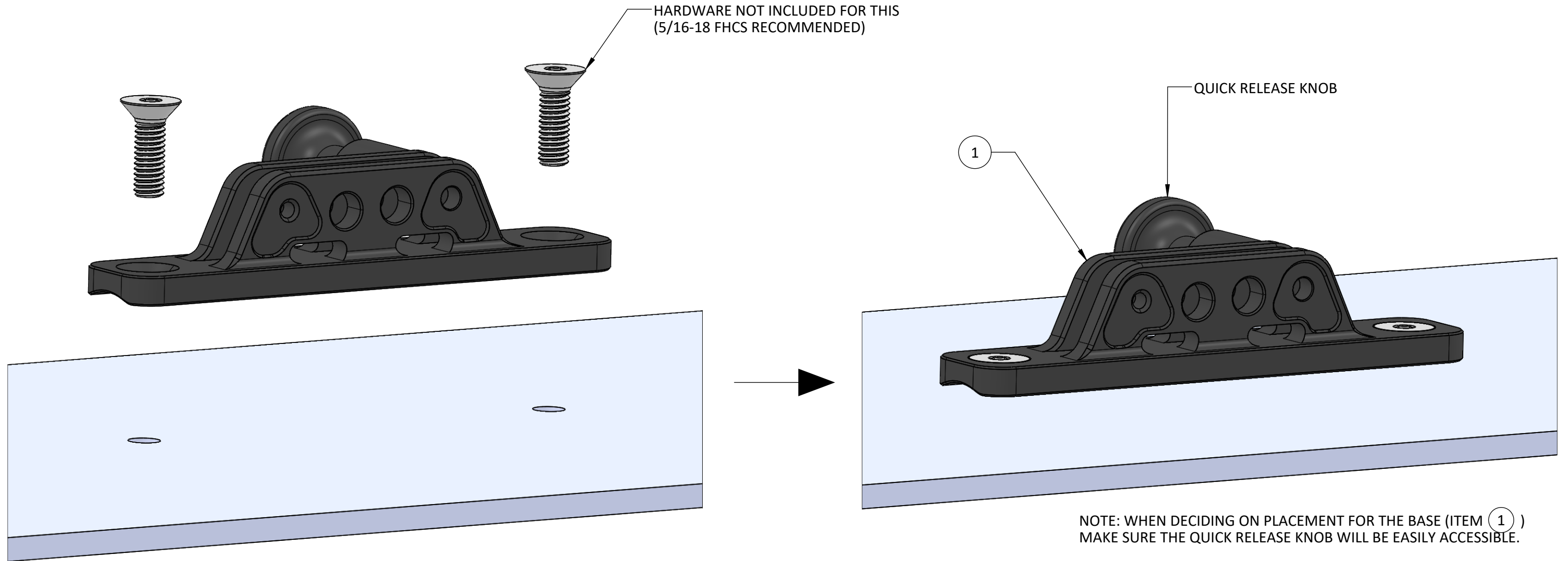
For help e-mail
info@seaviewglobal.com
ph. 1-800-655-7922

1B

Mounting the base (on flat surface).

Mark and drill holes in your mounting surface. Then using your own hardware of a length appropriate for the mounting surface (5/16-18 FHCS recommended), securely fasten the quick release base (item 1) to the surface.

If you are mounting to a rail skip this step.



APXMINIQR

For help e-mail
info@seaviewglobal.com
ph. 1-800-655-7922

2

Routing the cable.

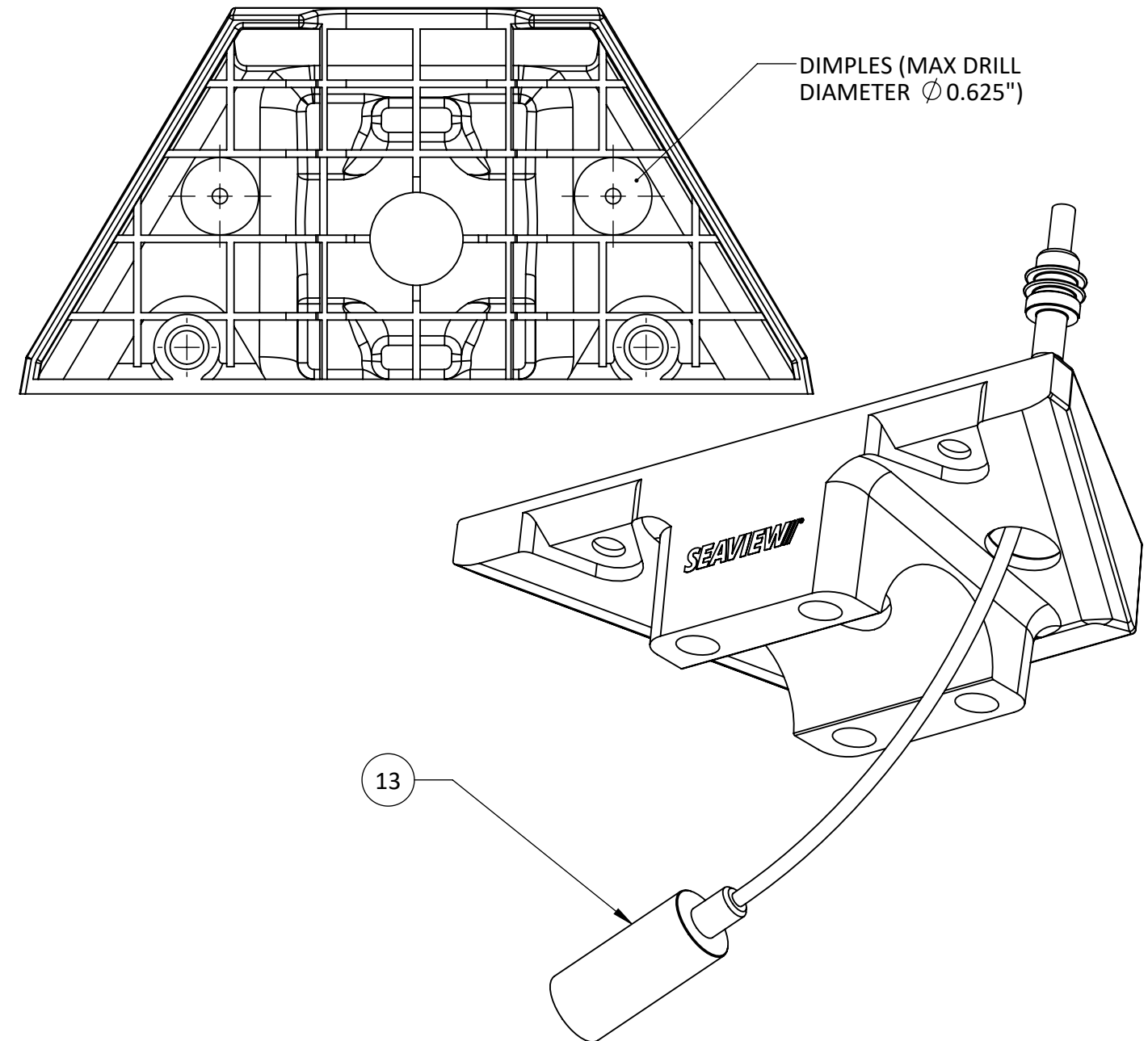
A breakaway cable (item 13) is included to allow for the smoothest possible experience with the quick release bracket. You may route the cable either through the center hole (Option 1) or externally by drilling through the designated dimples (Option 2).

Option 1: Route the cable through the center hole.

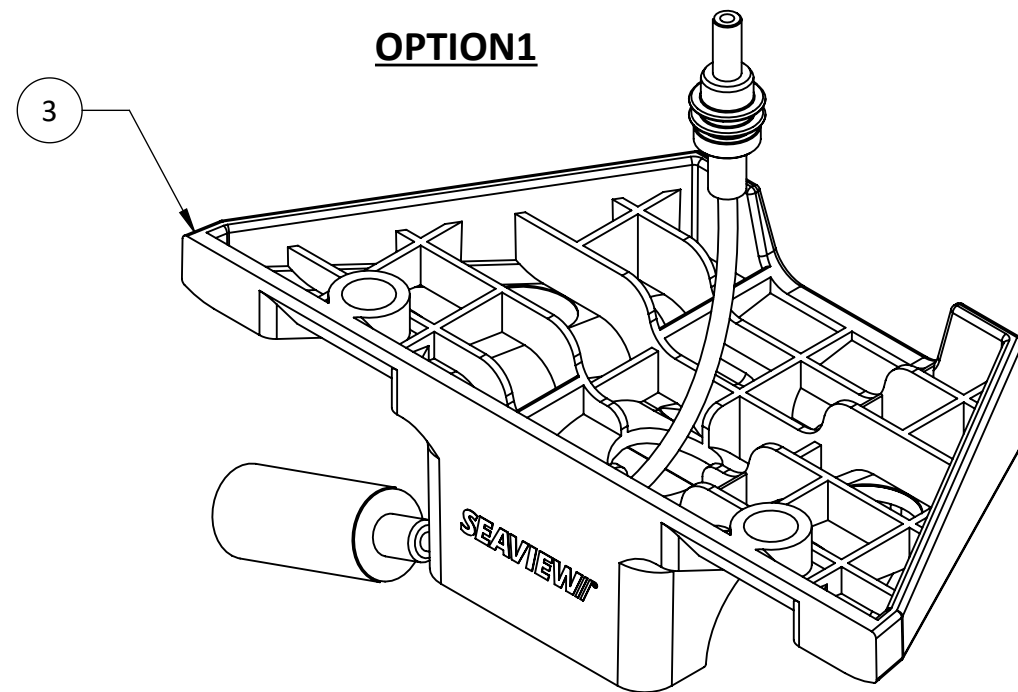
Option 2: Locate the drill dimples on the interior of Item 1. Drill through the dimples using a drill bit with a maximum diameter of 5/8", then route the cable through the drilled hole.



OPTION2

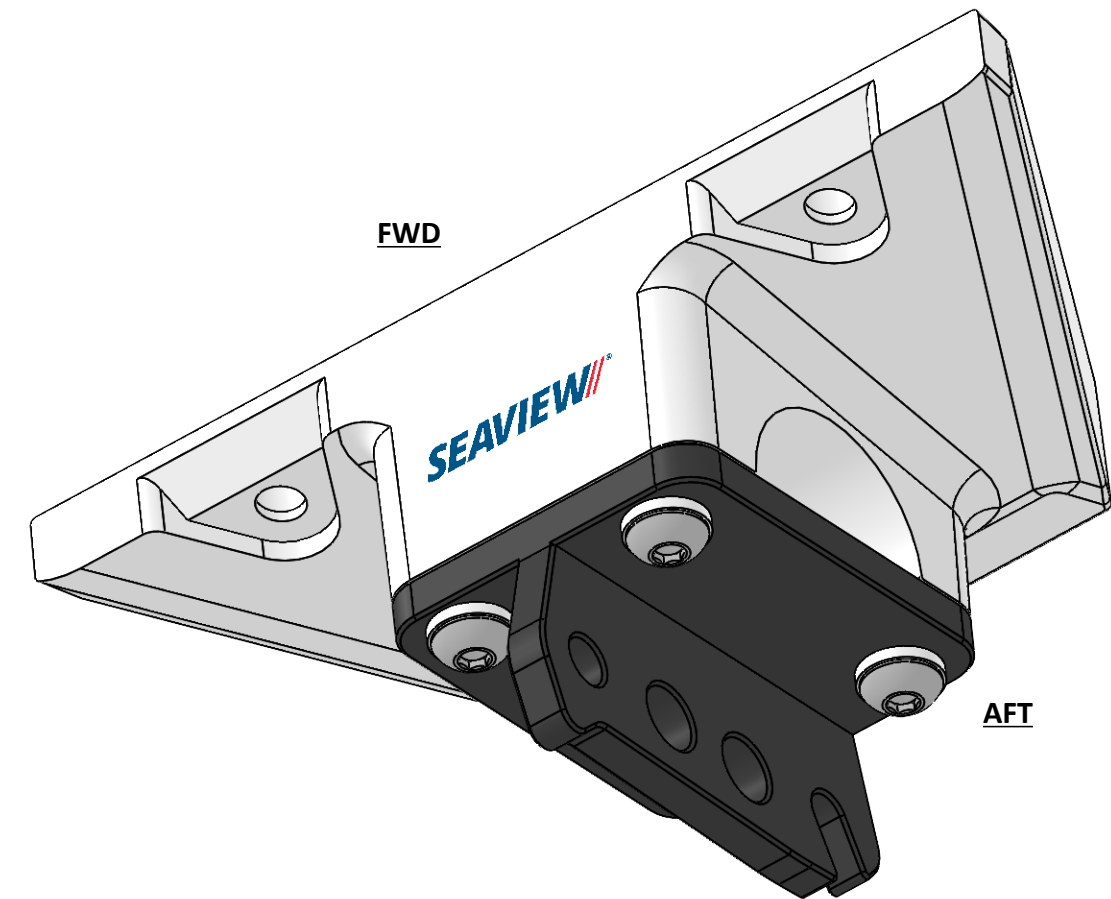
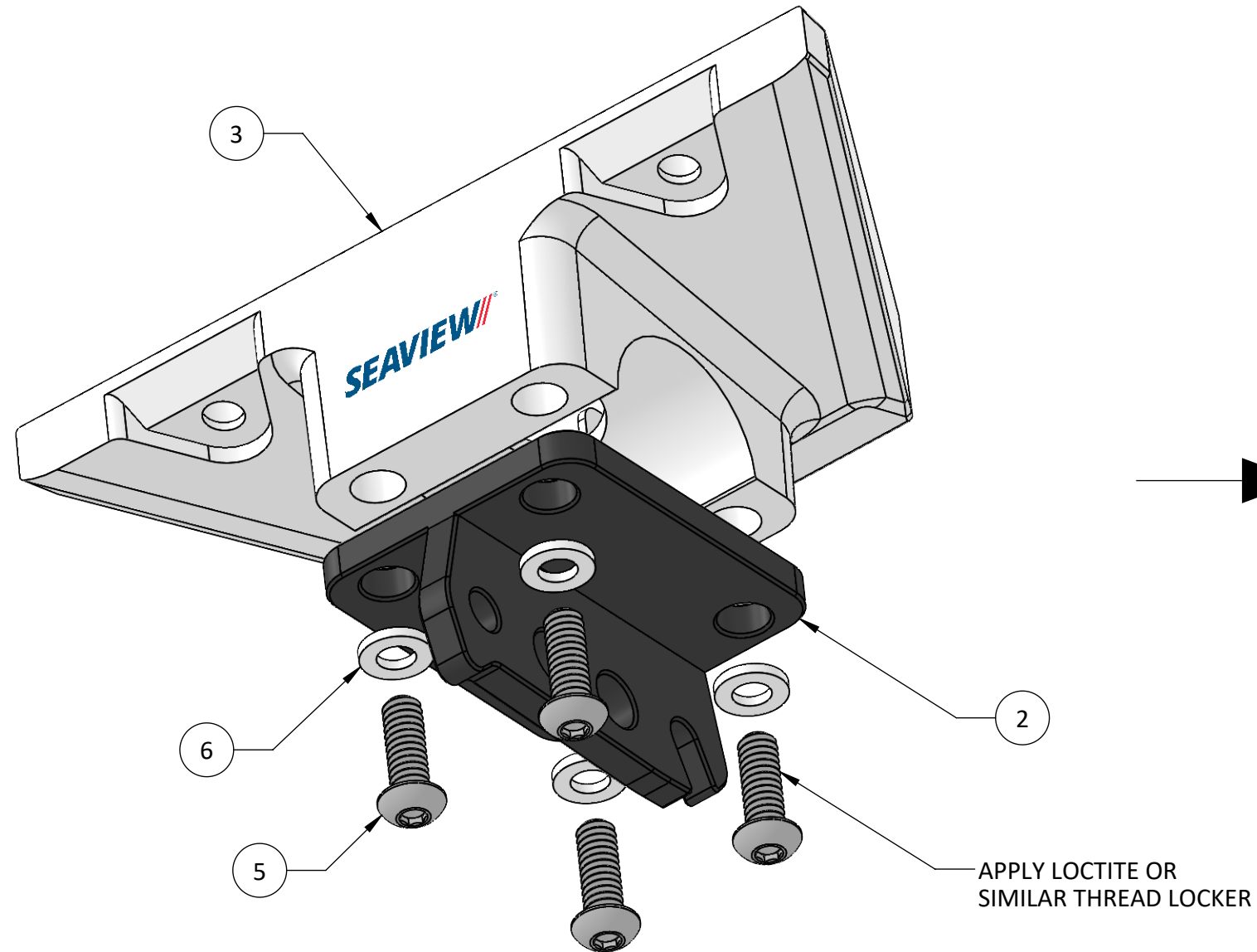


OPTION1



For help e-mail
info@seaviewglobal.com
ph. 1-800-655-7922

3 Attach the quick release top (item 2) to item 3 using items 5 and 6. Apply Loctite or a similar thread locker.



NOTE: THE FORWARD/AFT DIRECTIONS CAN BE REVERSED IF NECESSARY FOR YOU APPLICATION.

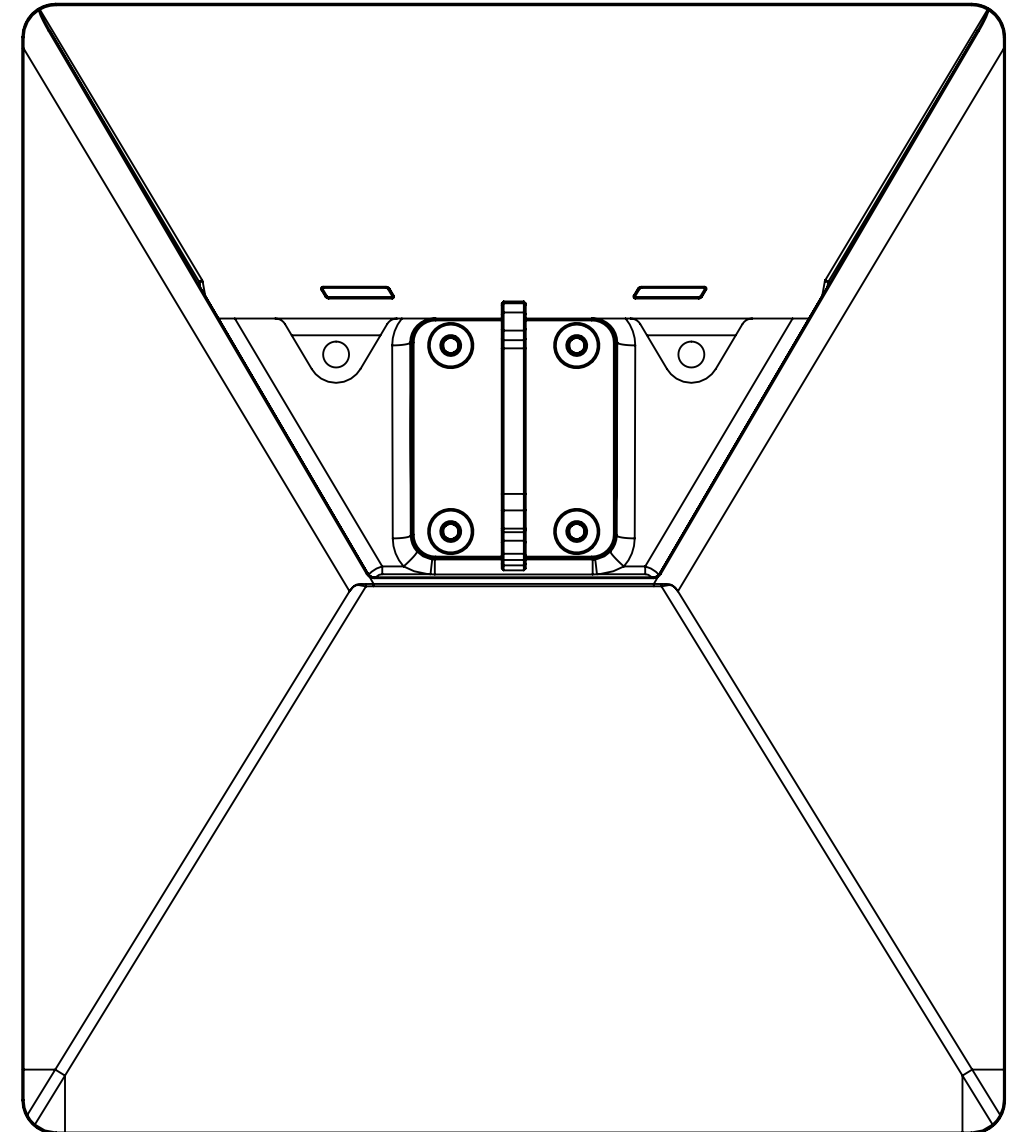
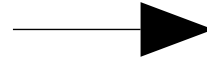
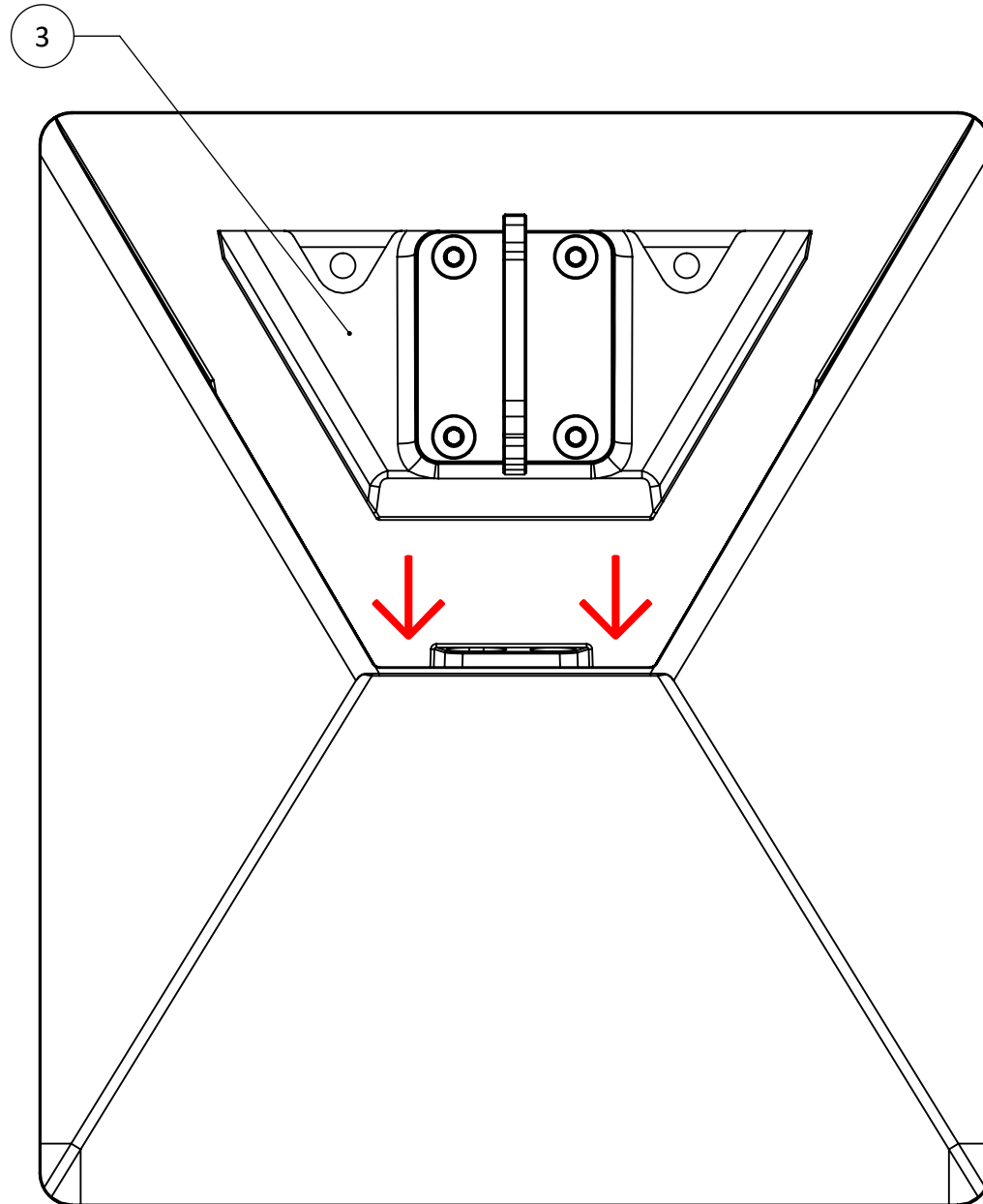
APXMINIQR

For help e-mail
info@seaviewglobal.com
ph. 1-800-655-7922

4 Mounting Starlink.

Connect the breakaway cable (item 13) to the Starlink Mini (routed as shown in step 2).

Then slide item 3 firmly into the base of the Starlink Mini as shown below.

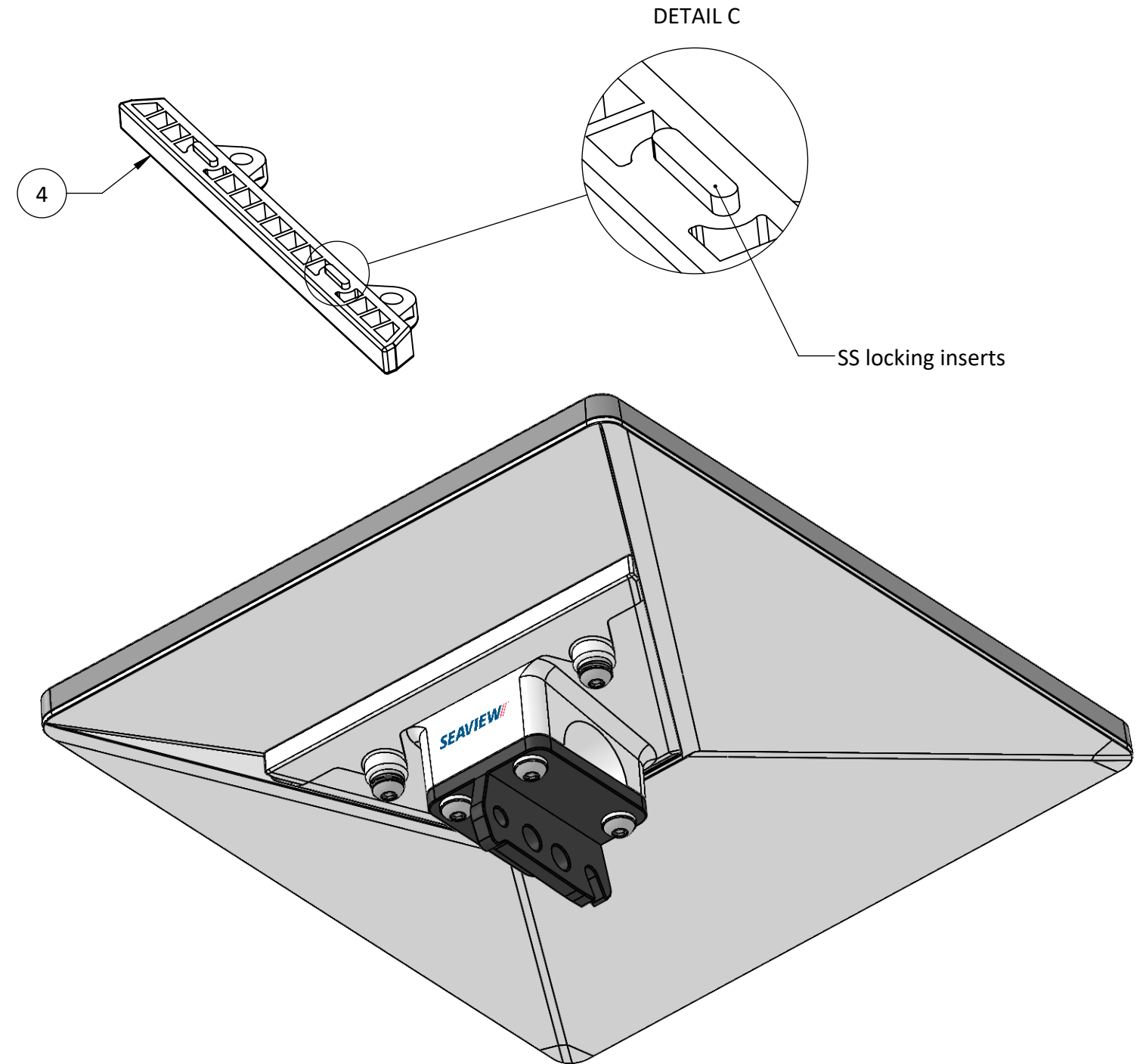
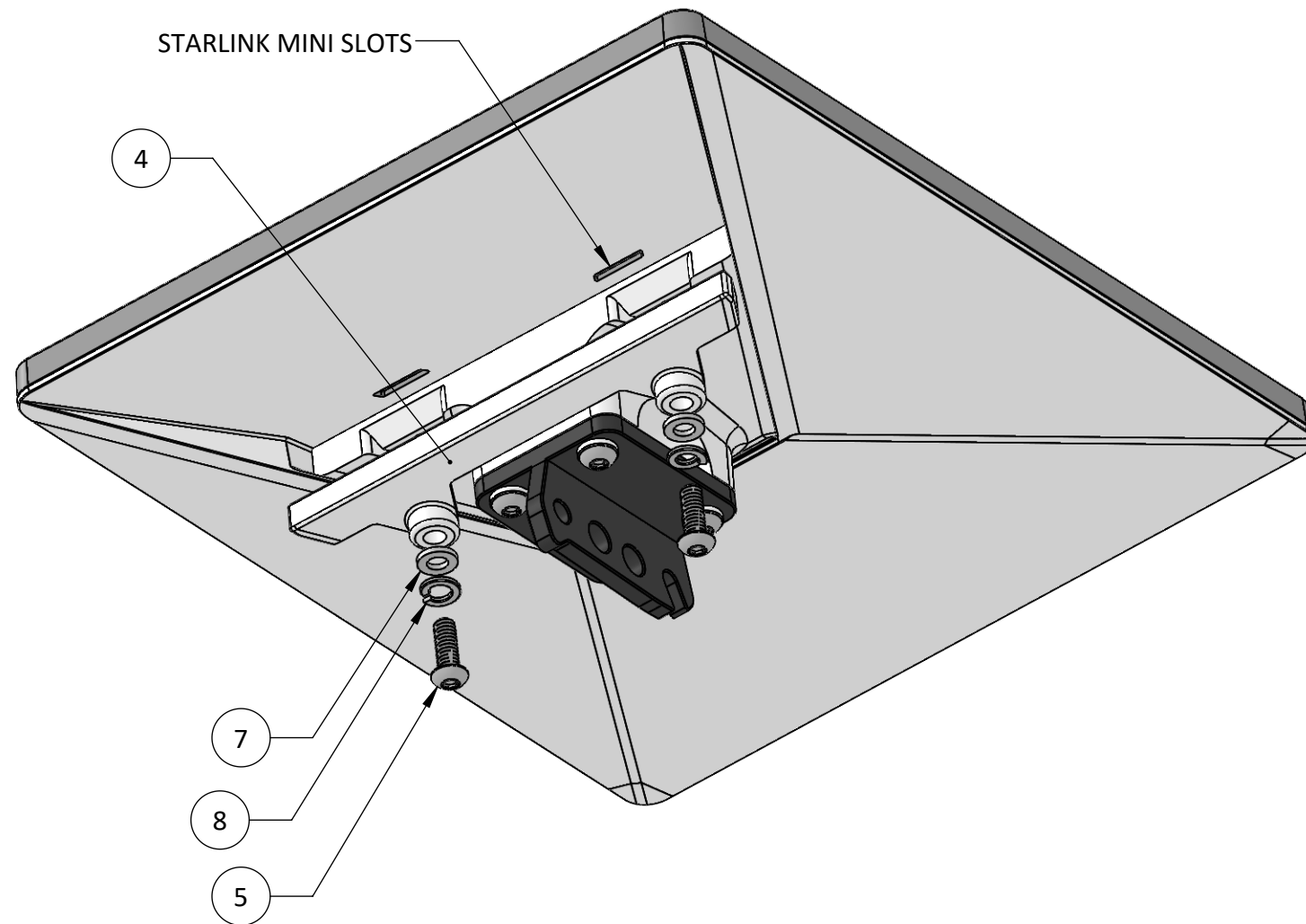


APXMINIQR

For help e-mail
info@seaviewglobal.com
ph. 1-800-655-7922

5 Mounting Starlink (cont.).

Install items 4, 5, 7 and 8 as illustrated below. Ensure the SS locking inserts (detailed in Figure C) are fully seated in the Starlink Mini slots to securely fasten the antenna.

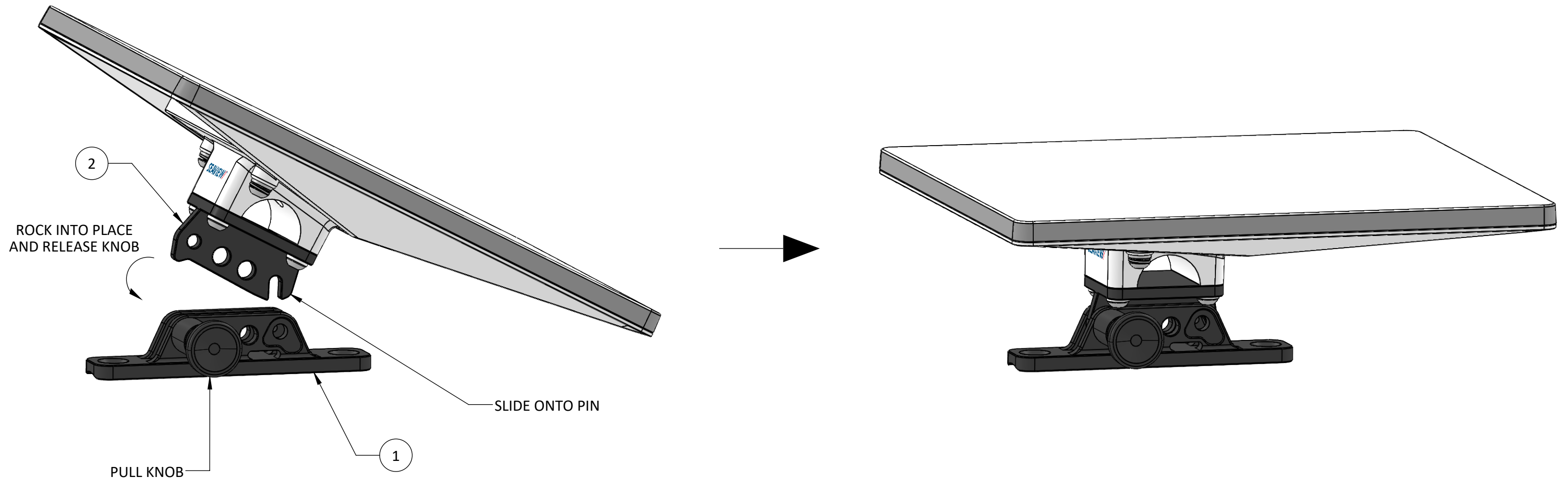


APXMINIQR

For help e-mail
info@seaviewglobal.com
ph. 1-800-655-7922

6 Final assembly.

- Slide slot on item (2) onto pin on quick release base (item (1)).
- Pull knob.
- Rock item (2) into quick release base and release knob. It will click into place.



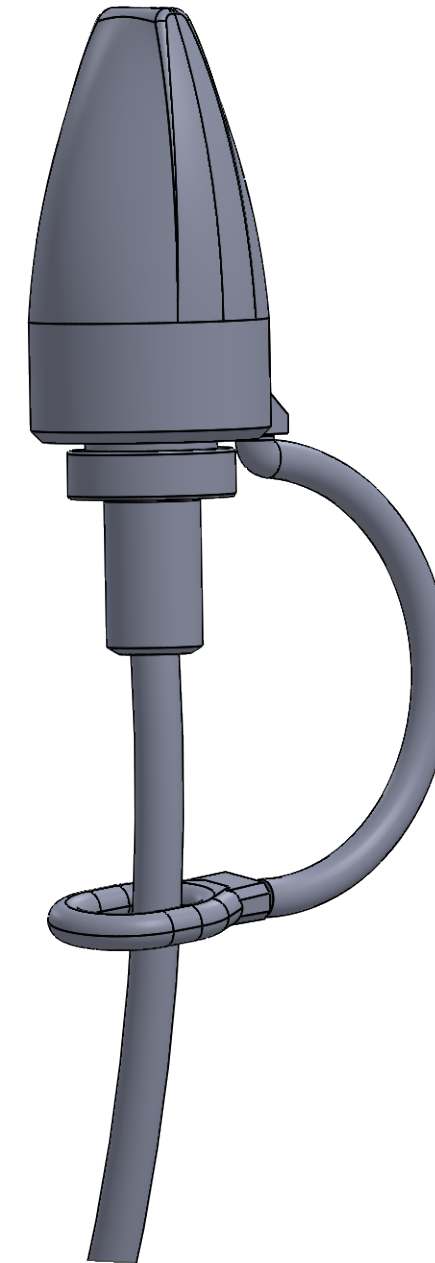
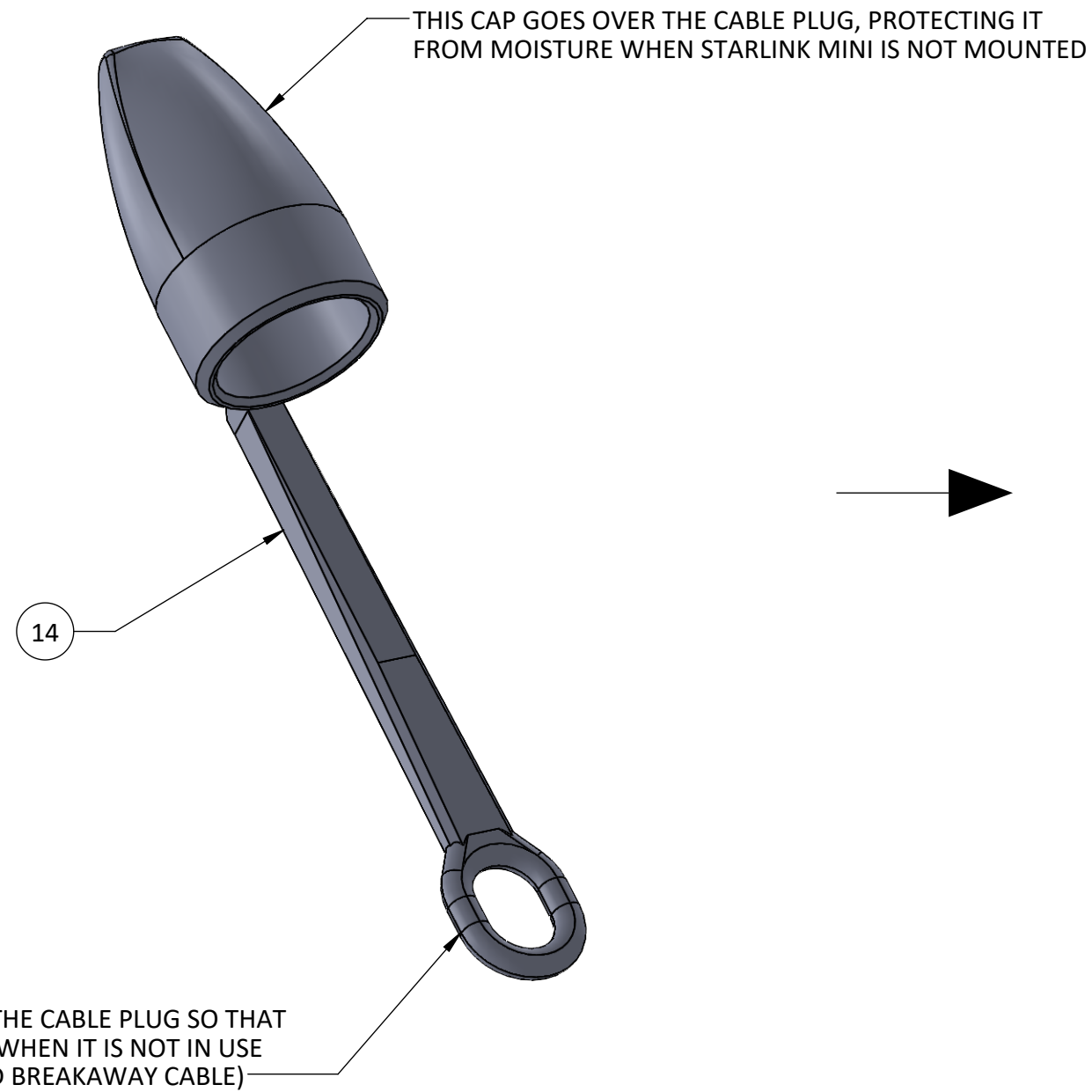
APXMINIQR

For help e-mail
info@seaviewglobal.com
ph. 1-800-655-7922

7 Cable plug protective cap.

There is a protective cap (item 14) included in this kit to protect the cable plug when your Starlink Mini is not mounted. Below is an image illustrating its application.

SEAVIEW®



APXMINIQR

For help e-mail
info@seaviewglobal.com
ph. 1-800-655-7922