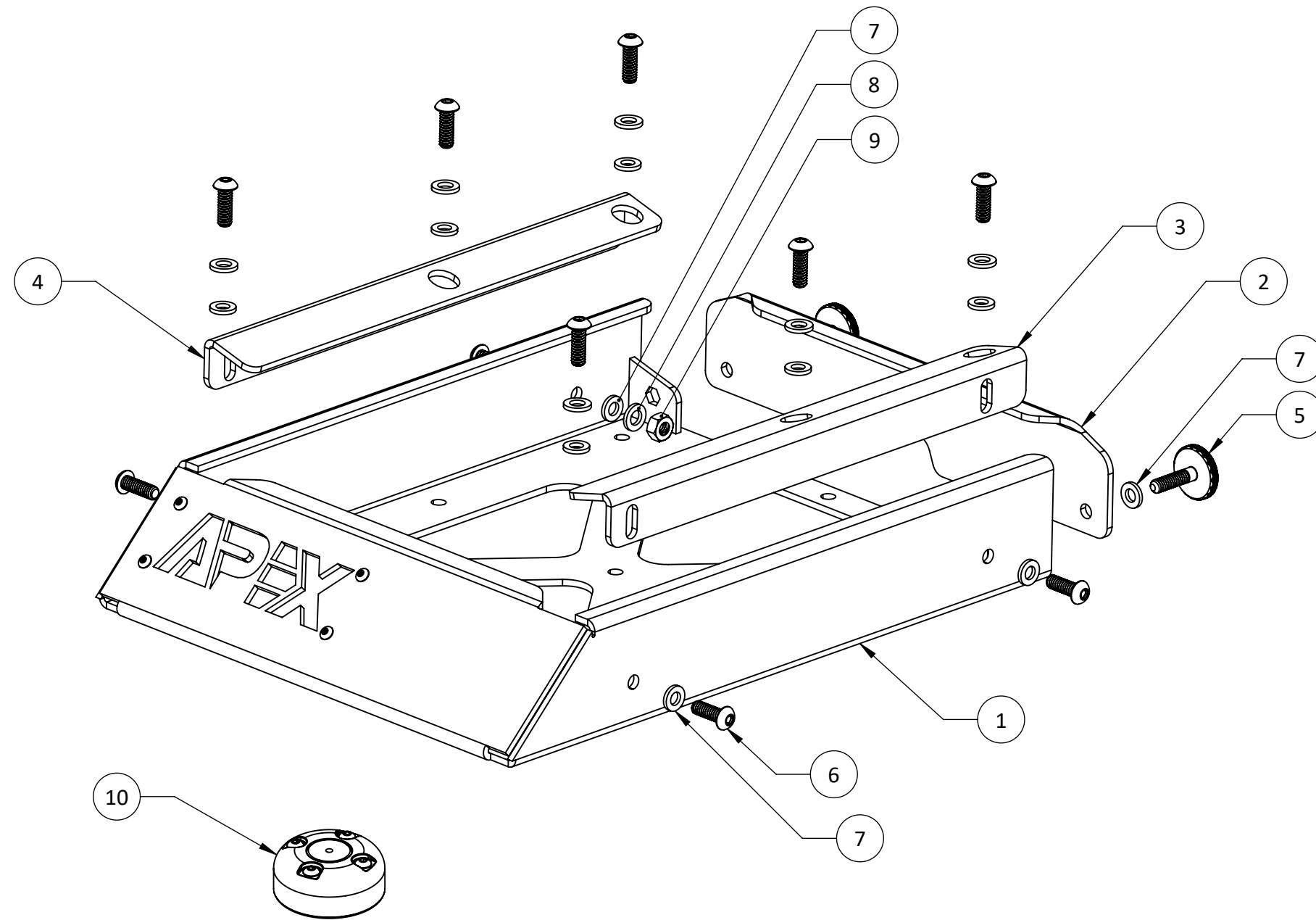


ITEM NO.	PART NUMBER	DESCRIPTION	QTY.
1	APXMRMPBLK	STARLINK MINI RACK MOUNT (MAIN BODY)	1
2	APXMRMPBLK-RB	STARLINK MINI RACK MOUNT (REAR BRACKET)	1
3	APXMRMPBLK-LR	STARLINK MINI RACK MOUNT (LEFT SIDE RAIL)	1
4	APXMRMPBLK-RR	STARLINK MINI RACK MOUNT (RIGHT SIDE RAIL)	1
5	SVKNOB	1/4-20 KNURLED-HEAD THUMB SCREW	2
6	142075BHCS	1/4-20x.75 BHCS	4
7	14NW	1/4" NYLON WASHER	16
8	14WASHER	1/4" WASHER	10
9	1420LNUT	1/4-20 NYLOC NUT	4
10	CG20PB	CABLE SEAL	1

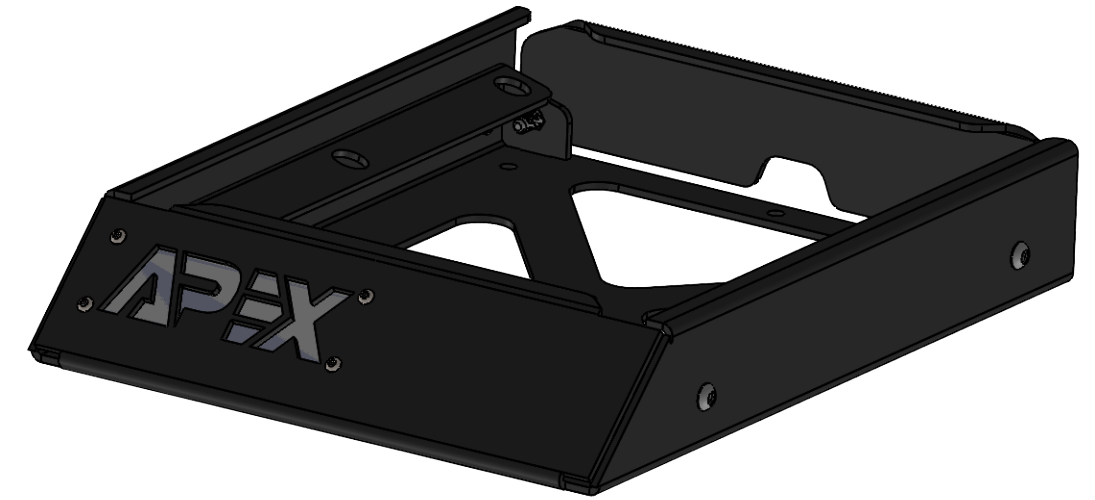
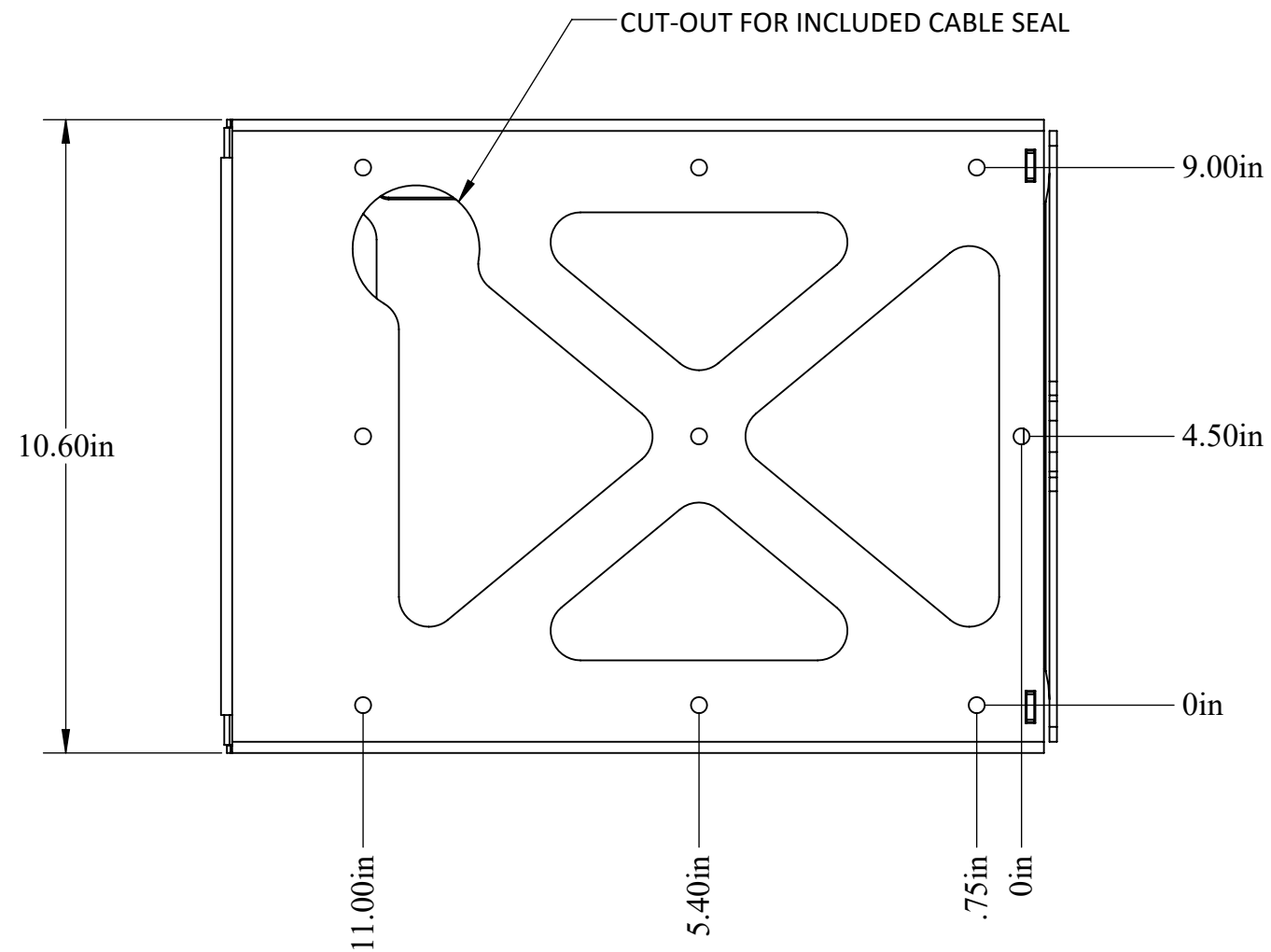
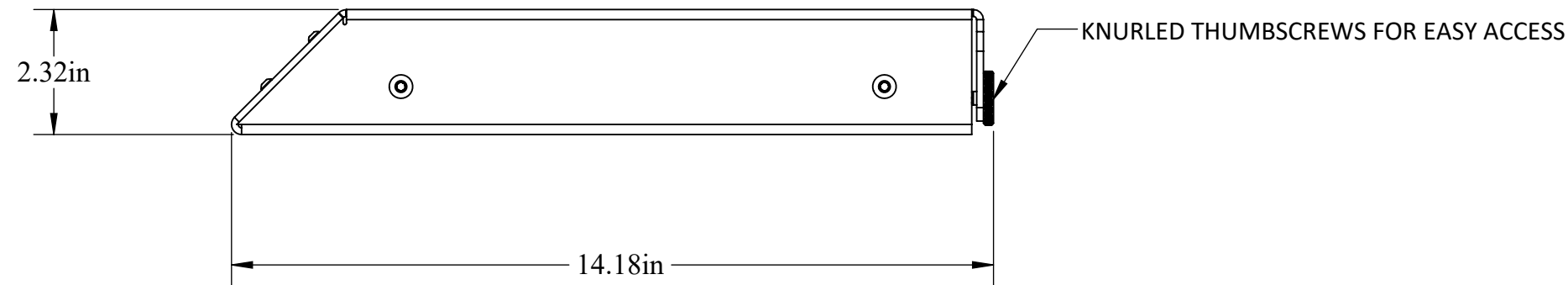
NOTES:

1. BEFORE BEGINNING THIS INSTALLATION MAKE SURE YOUR CABLES ARE PROPERLY ROUTED.
2. YOU WILL REQUIRE A MARKER, POWER DRILL, WRENCH, ALLEN WRENCHES, AND 4-6 NUTS/BOLTS (1/4-20 RECOMMENDED) IN ADDITION TO THE CONTENTS OF THIS KIT IN ORDER TO COMPLETE THIS INSTALLATION.



APXMRM

For help e-mail
info@seaviewglobal.com
 ph. 1-800-655-7922



NOTE: MOUNTING HARDWARE NOT INCLUDED. 1/4-20 SCREW SIZE RECOMMENDED.

APXMRRM

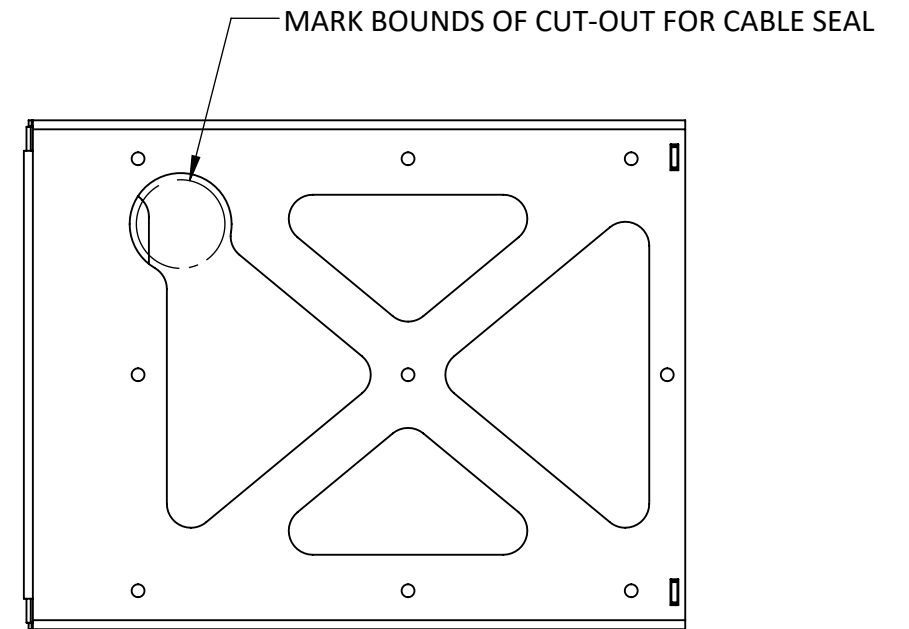
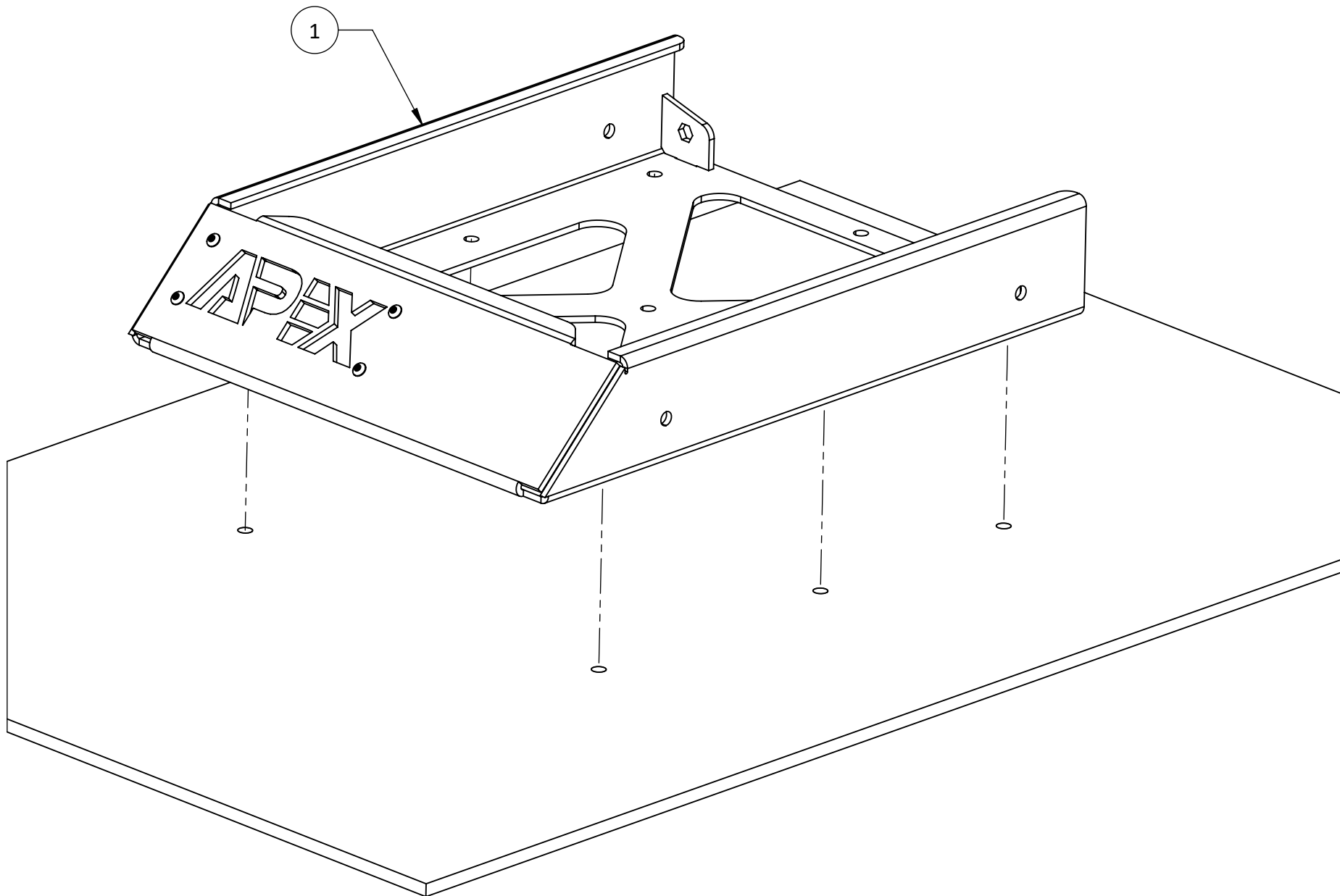
For help e-mail
info@seaviewglobal.com
ph. 1-800-655-7922

INSTALLATION INSTRUCTIONS BEGIN ON NEXT PAGE

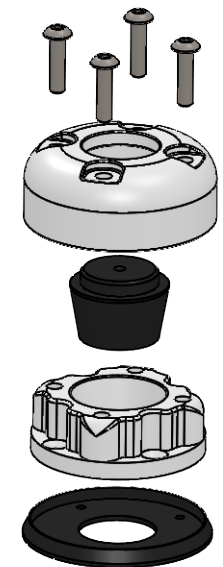
NOTE: It is strongly advised that all installations are carried out by an authorized installer who possesses the necessary expertise and experience in marine equipment installation. Furthermore, prior to the final installation process, we recommend performing a dry fit assembly of all components. This entails fitting the components in their designated positions on the boat without permanently affixing them. This step allows for careful assessment of compatibility, alignment, and any potential adjustments that may be required before proceeding with the actual installation.

For help e-mail
info@seaviewglobal.com
ph. 1-800-655-7922

1 **Marking/drilling holes & installing cable seal.**
Mark 4 to 6 of the 9 holes on the bottom of item **1** and drill them on your mounting surface. These holes will be accommodating 1/4-20 hardware. Also mark the bounds of the cable seal cut-out (you may wish to install the cable seal elsewhere, if that is the case mark that location). Then install the included cable seal (item **10**). There is a link to a full break down of cable seal components/installation instructions below.



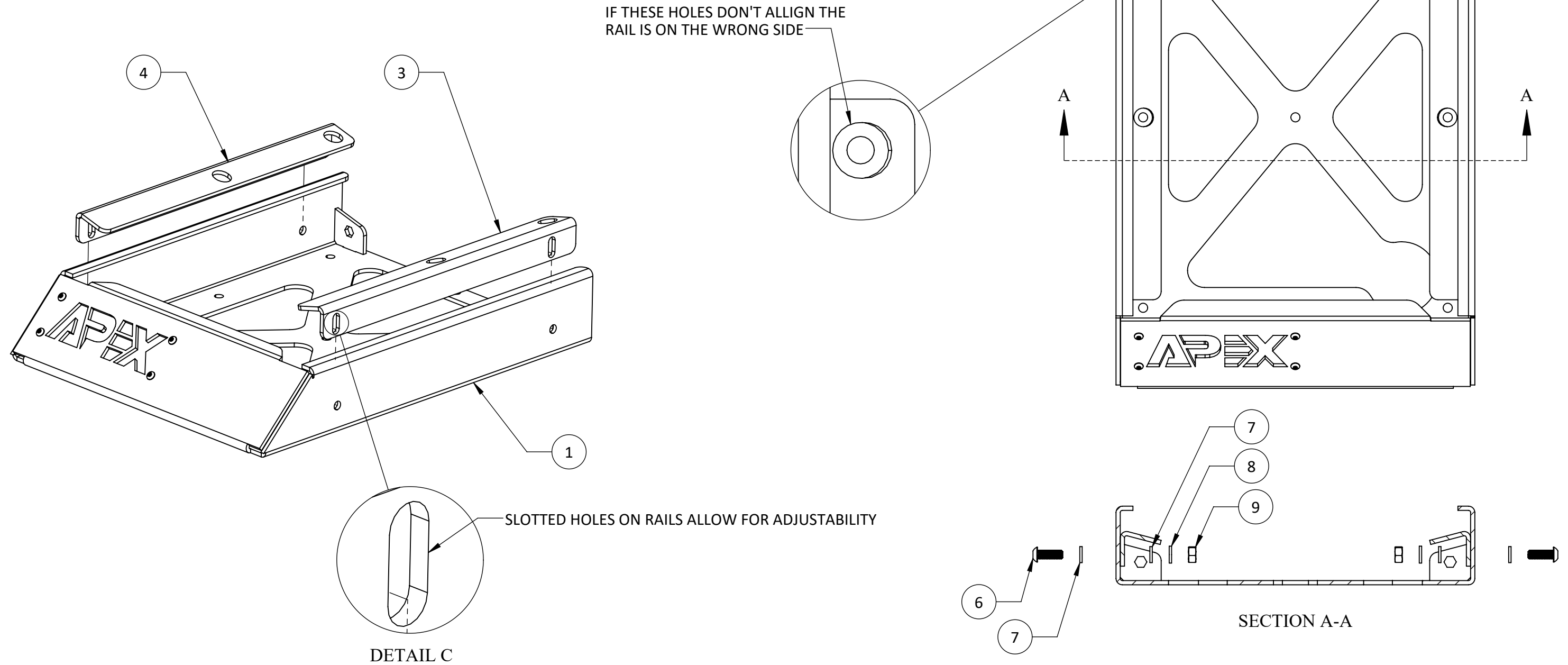
NOTE: FOR A FULL BREAK DOWN OF CABLE SEAL COMPONENTS AND INSTALLATION INSTRUCTIONS [CLICK HERE.](#)



APXMRRM

For help e-mail
info@seaviewglobal.com
ph. 1-800-655-7922

2 Inserting the rails.
Insert the rails (items 3 & 4) and loosely assemble items 6 - 9 (this may have already been done for you). Make sure the holes in the top of the rails align with the holes at the bottom of the main body (item 1). Don't over tighten, in the next step you will fine tune the position of the rails and fully secure them.

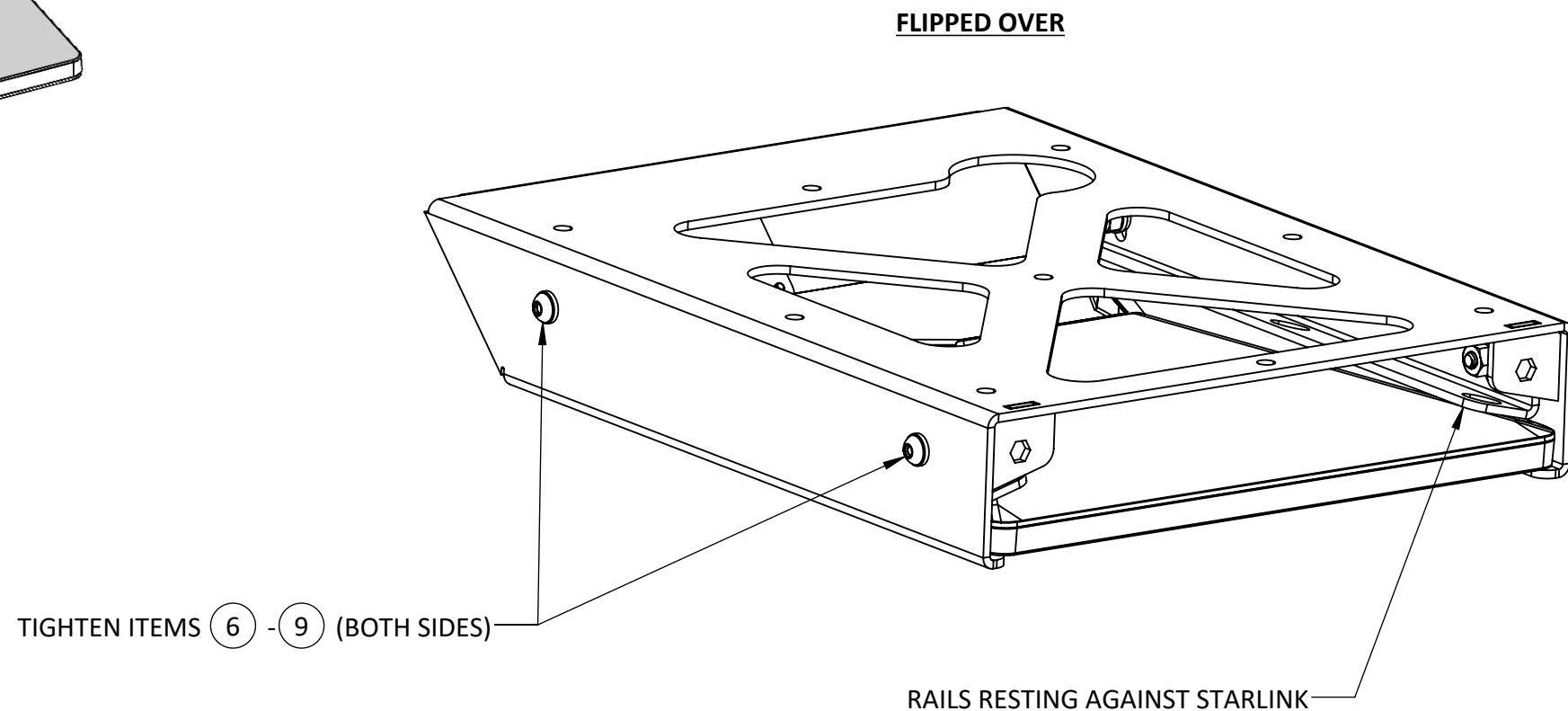
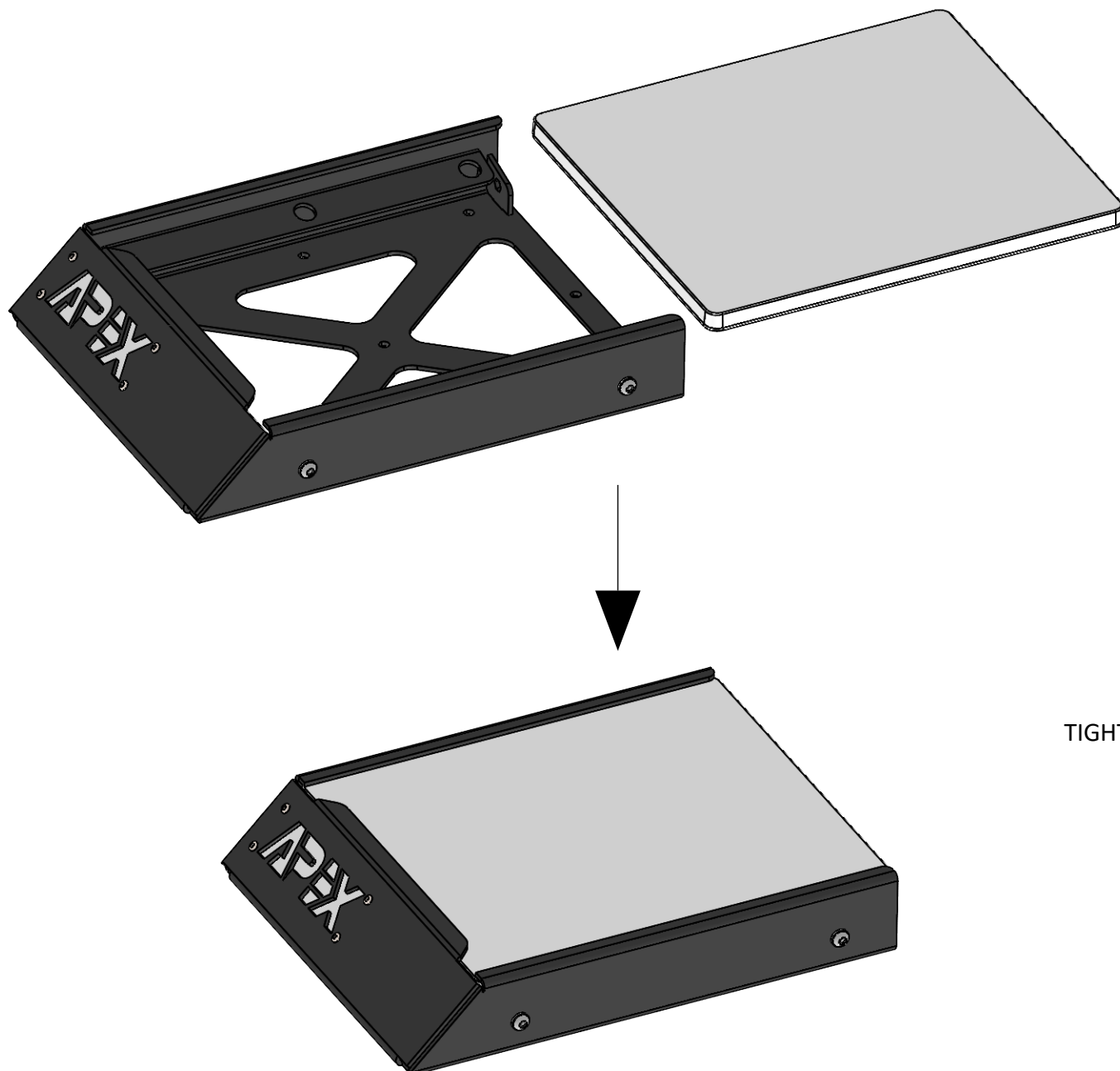


APXMRRM

For help e-mail
info@seaviewglobal.com
ph. 1-800-655-7922

3 Aligning & securing rails.

Insert Starlink Mini into the main body (item 1) atop the rails. Then carefully flip it over. This will allow the rails to easily fall into place on the underside of the Starlink so they can properly secure it while also granting access for you to tighten items 6 - 9 from the previous step. Once you have tightened the rails remove the Starlink.



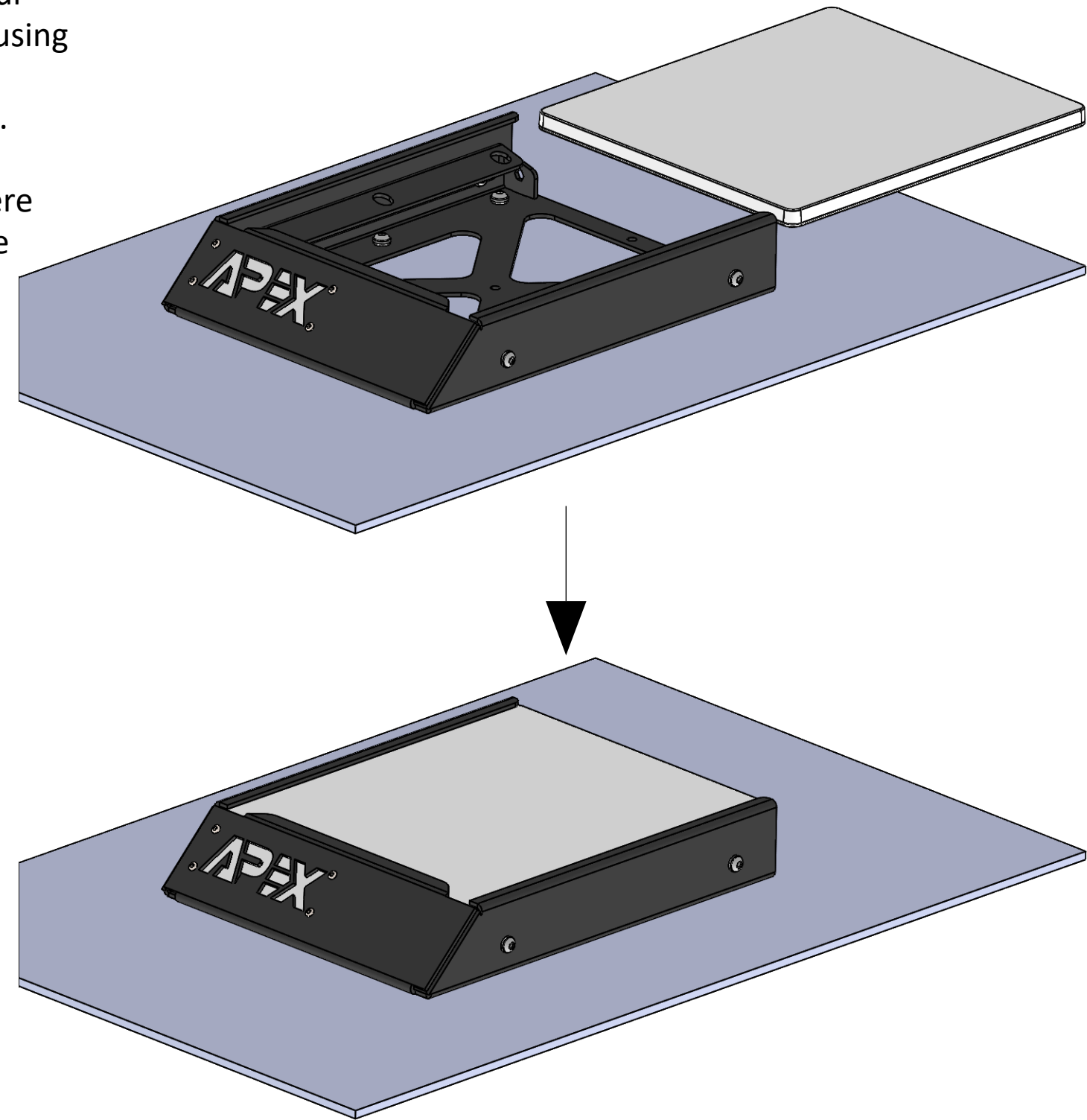
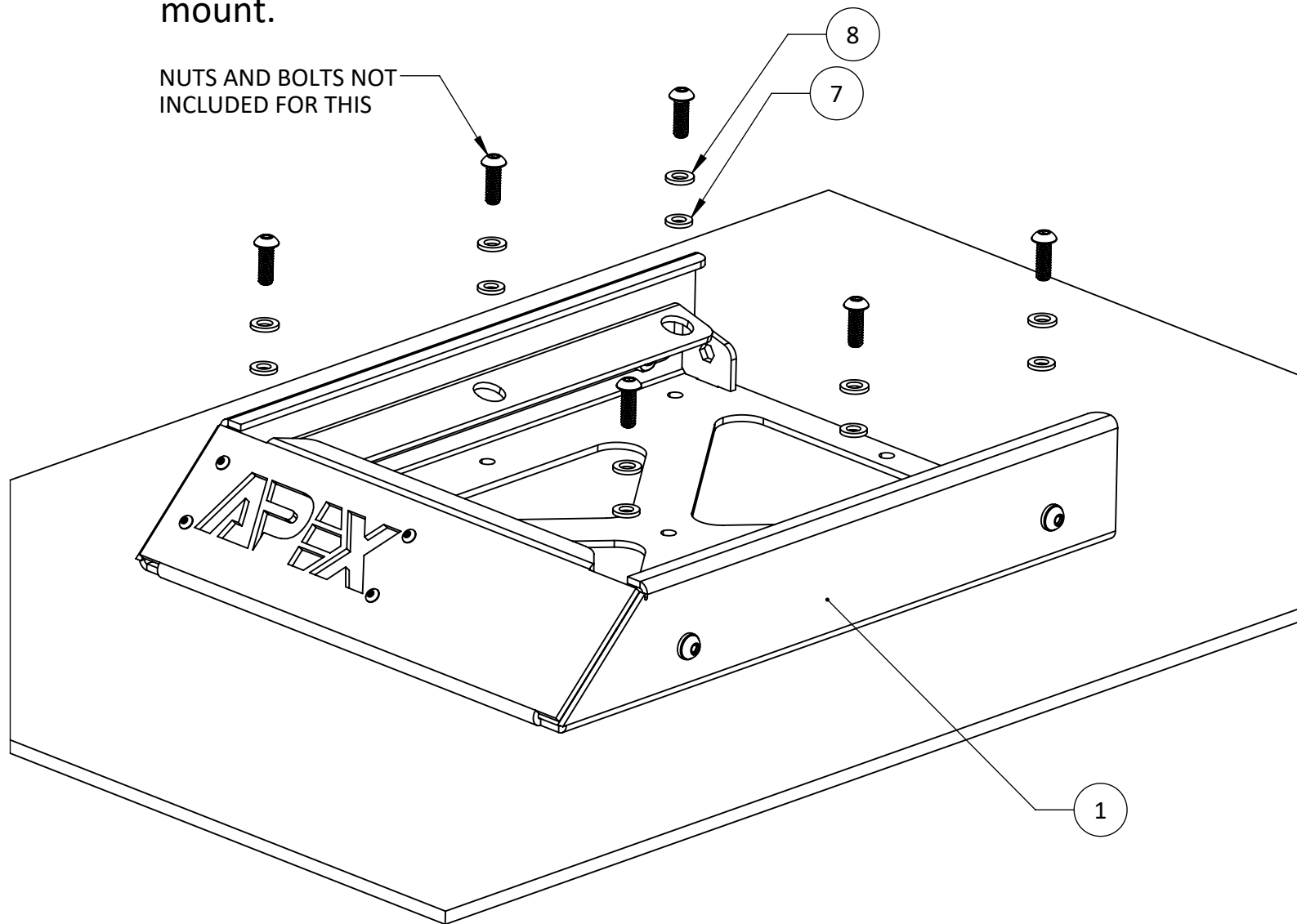
APXMRRM

For help e-mail
info@seaviewglobal.com
ph. 1-800-655-7922

4 Mounting the APXMRRM.

Position item ① on your mounting surface with all holes in alignment with those that you drilled in step 1. Then using items ⑦ and ⑧ along with your own hardware (1/4-20 recommended), securely fasten the mount. If you are using the provided cable seal in the location noted in step 1, make sure you have installed the power cable and have enough slack to plug into the Starlink Mini. Plug the power cable into the Starlink and then slide the antenna into the mounting bracket. Alternatively, if your power cable is coming from somewhere else make sure it is plugged into the Starlink antenna prior to sliding it into the mount.

NUTS AND BOLTS NOT INCLUDED FOR THIS

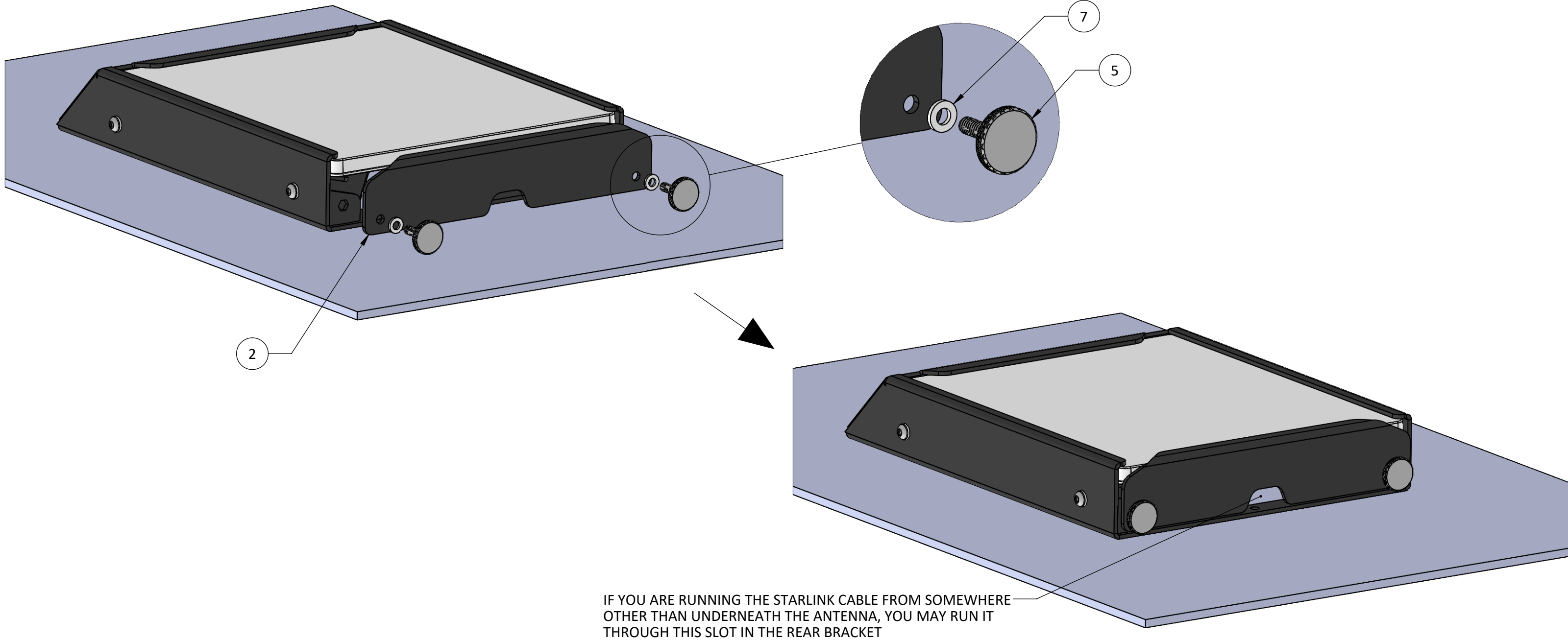


APXMRRM

For help e-mail
info@seaviewglobal.com
ph. 1-800-655-7922

5 Applying the rear bracket.

Position the rear bracket (item 2) and use items 5 & 7 to fully secure the Starlink Mini. Note that items 5 and 7 have been glued together.



APXMRRM

For help e-mail
info@seaviewglobal.com
ph. 1-800-655-7922