

MARINE PRODUCT DATA SHEET

OEM:

3200-010 (Macerator Pump)

APPLICATION

24V DC Macerator Pump Designed specifically for sanitation waste and fish box evacuation

PUMP:

Type: Centrifugal Pump (Flex-Impeller)
Inlet Port: 1-1/2" Barb / 1-1/2" NPT
Outlet Port: 1" Barb
Liquid: 130 °F [54 °C] Max
Dry-Prime: 4 feet [1.21 M]
Inlet PSI: 30 PSI [2.1 Bar] Max
Run Dry: 2 Minutes. Not recommended.

ELECTRICAL:

Motor: 24VDC Permanent Magnet, Intermittent Duty
Protection: Thermal Overload, Automatic Restart
Leads: 14 AWG, 17.5" [44 cm] Red +, 18.5" [47 cm] Black -
Fuse: 15 Amp Recommended
Control: No Control

MATERIALS:

Housing: Phenolic - Nylon
Impeller: Brandonite
Hardware: Stainless Steel

APPROVALS:

Ignition Protection 8846, CE

SHIPPING:

Approx. Net Weight: 6 Lbs. [2.7 Kg]
Carton Quantity: 6
Approx. Carton Weight: 36 Lb [16.3 Kg]
Approx. Carton Size: 24"L x 18"W x 6"H
[60.9cm x 45.7cm x 15.2cm]

RELATED DOCUMENTS:

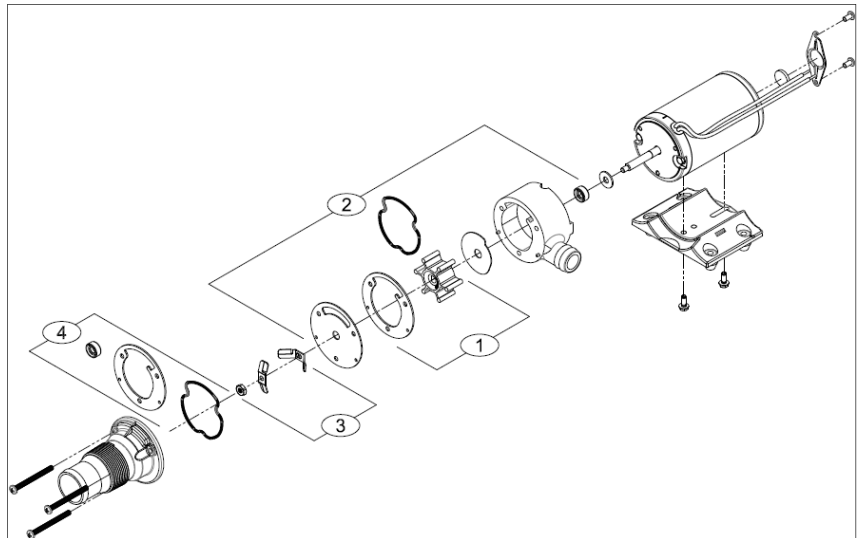
Catalog: MS-030-140
Applications Spec Guide: MS-020-005
Installation Manual: 911-566
Aftermarket Warranty: 911-1045



Designed specifically for sanitation waste and fish box evacuation, SHURflo's Macerator pump features a premium impeller design with run-dry capability and includes our seamless shell e-coated motor with o-ring sealed and bells and sealed manual turn key. SHURflo's unique dual blade and housing construction ensures problem free pumping, providing superior performance in harsh marine environ-

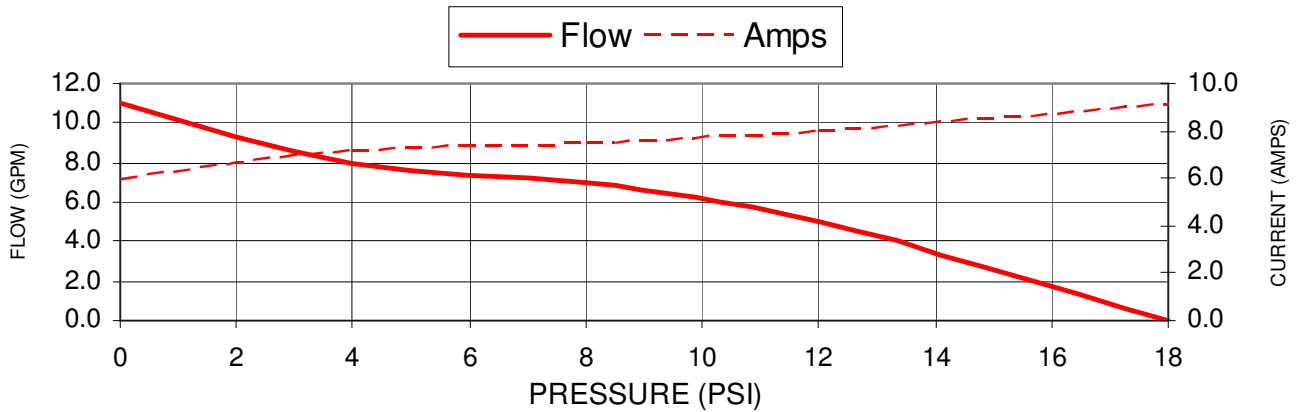
Replacement Kits

Number	Description	Part Number
1	Impeller Kit	94-571-00
2	Impeller Housing kit	94-570-00
3	Cutter Blade Kit	94-570-02
4	O-Ring, Gasket & Lip Seal Kit	94-570-04

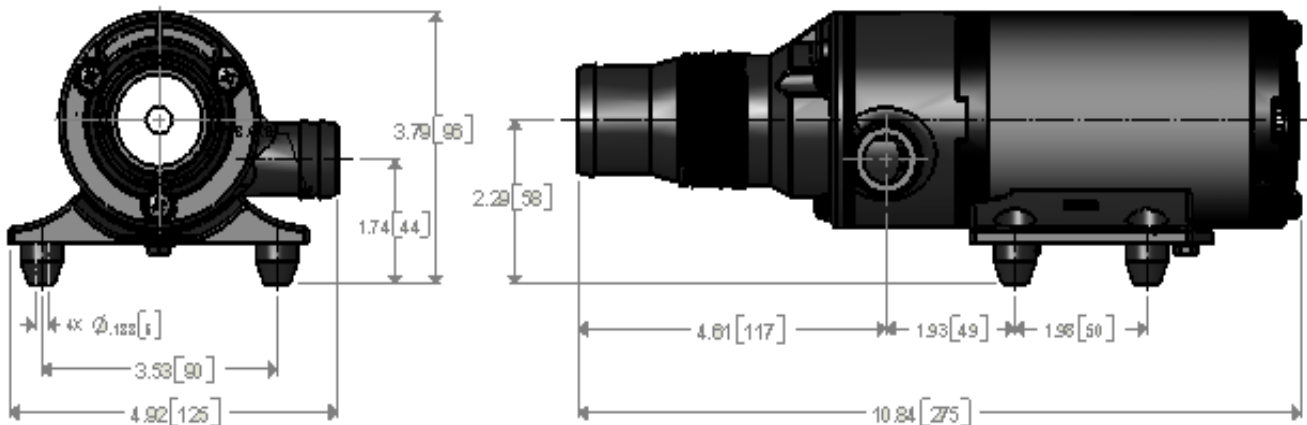


TYPICAL PERFORMANCE

PRESSURE		FLOW		CURRENT
BAR	PSI	GPM	LPM	AMPS
0.0	0	11	41.6	5.9
0.27	4	8	30.3	7.1
0.55	8	7	26.4	7.4
0.82	12	5	18.9	8.0
1.10	18	0.0	0.0	9.1



DIMENSIONS [mm]



WATER PURIFICATION

3545 Harbor Gateway South, Suite 103, Costa Mesa, CA 92626, (800) 854-3218 www.SHURFLO.com

All Pentair trademarks and logos are owned by Pentair, Inc. All other brand or product names are trademarks or registered marks of their respective owners. Because we are continuously improving our products and services, Pentair reserves the right to change specifications without prior notice. Pentair is an equal opportunity employer.