



# SHURFLO MACERATOR PUMP

## MARINE MACERATOR PUMP – PRODUCT TECHNICAL DATA SHEET

OEM: 3200-000, 3200-100  
 AFTERMARKET: 3200-001, 3200-101

### APPLICATION:

12V DC Macerator Pump Designed specifically for sanitation waste and fish box evacuation.



### PUMP DESIGN:

Type: Centrifugal Pump (Flex-Impeller)  
 Inlet Port: 1-1/2" Barb / 1-1/2" NPT  
 Outlet Port: 1" Barb  
 Liquid: 130°F [54°C] Max  
 Dry-Prime: 4 feet [1.21 M]  
 Run Dry: 20 Seconds max

### ELECTRICAL:

Motor: 12V DC Permanent Magnet, Intermittent Duty  
 Protection: Thermal Overload, Automatic Restart  
 Leads: 14 AWG, 17.5" [44 cm] Red +, 18.5" [47 cm] Black  
 Fuse: 25 Amp Recommended  
 Control: No Control

### MATERIALS OF CONSTRUCTION:

Housings: Phenolic - Nylon  
 Impeller: Brandonite  
 Hardware: Stainless Steel

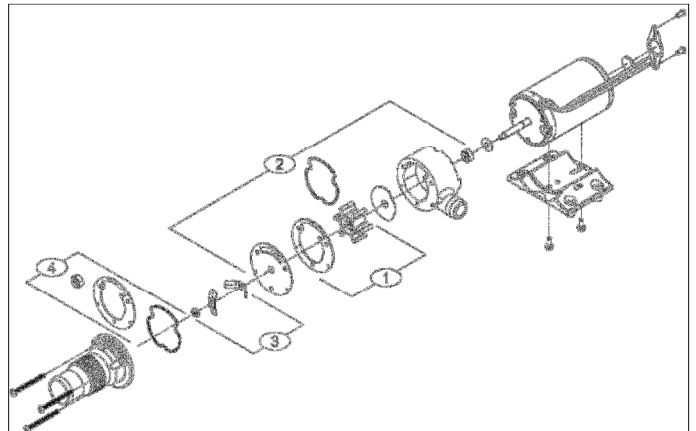
### AGENCY APPROVALS:

Ignition Protection 8846, CE, IMCI Certified

### SHIPPING INFORMATION:

Approx. Net Weight: 5 lbs. [2.2 Kg] ea.  
 Carton Qty.: 6  
 Approx. Carton Weight: 36 lbs. [ 16.3 Kg]  
 Approx. Carton Size: 24" L X 18" W X 6" H [61cm x 46cm x 15cm]  
 Retail (individual) box: 11" L X 6" W X 5" H [28cm x 15cm x 13cm]

### REPAIR KITS



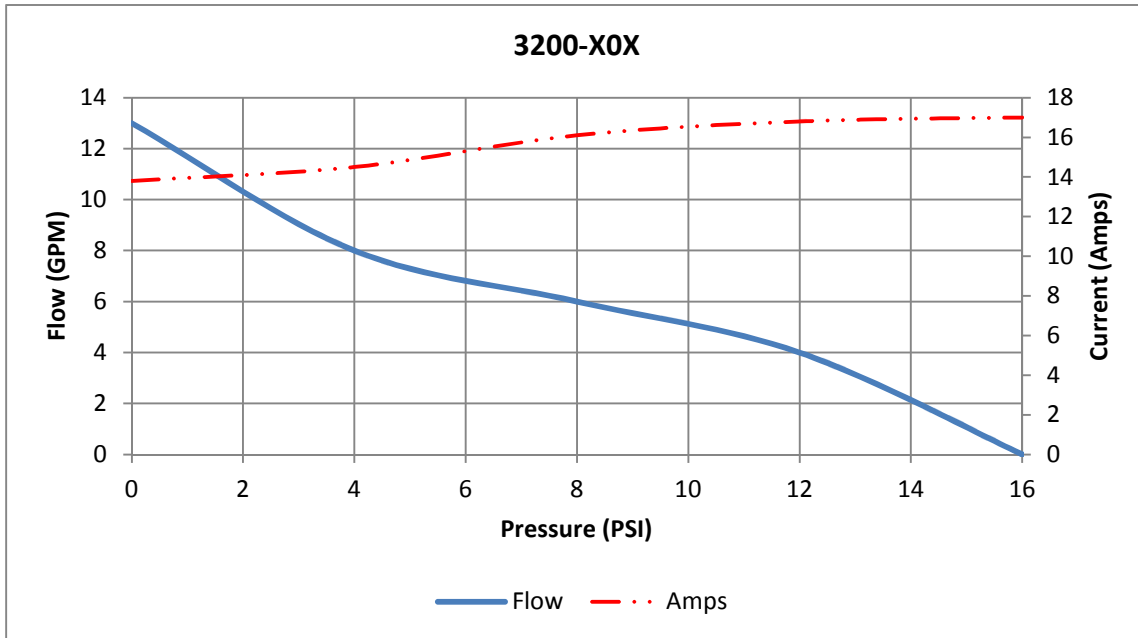
Number	Description	Part Number
1	Impeller Kit	94-571-00
2	Impeller Housing Kit	94-570-00
3	Cutter Blade Kit	94-570-02
4	O-ring, Gasket & Lip Seal Kit	94-570-04

### RELATED DOCUMENTS:

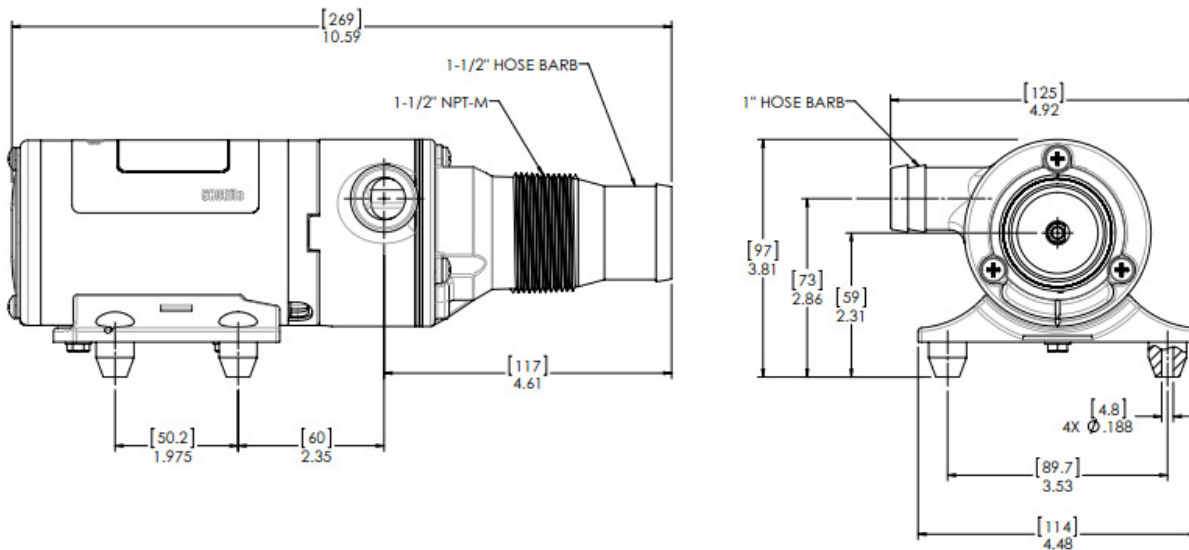
Catalog: MS-030-140  
 App Guide Sheet : MS-020-005  
 Installation Manual: 911-566  
 Aftermarket Warranty: 911-1045

### TYPICAL PERFORMANCE

PRESSURE		FLOW		CURRENT
BAR	PSI	GPM	LPM	AMPS
0.0	0	13	49.2	13.2
0.27	4	8	30.3	14.5
0.55	8	6	22.7	16.1
0.82	12	4	15.1	16.8
1.10	16	0.0	0.0	17



### DIMENSIONS



3545 Harbor Gateway South, Suite 103, Costa Mesa, CA 92626, (800) 854-3218 www.SHURFLO.com

All Pentair trademarks and logos are owned by Pentair, Inc. All other brand or product names are trademarks or registered marks of their respective owners. Because we are continuously improving our products and services, Pentair reserves the right to change specifications without prior notice. Pentair is an equal opportunity employer.

3200-X0X Rev. 06/16 2015 - 2016 ©Pentair, Inc. All Rights Reserved.