

**201B and 201A**

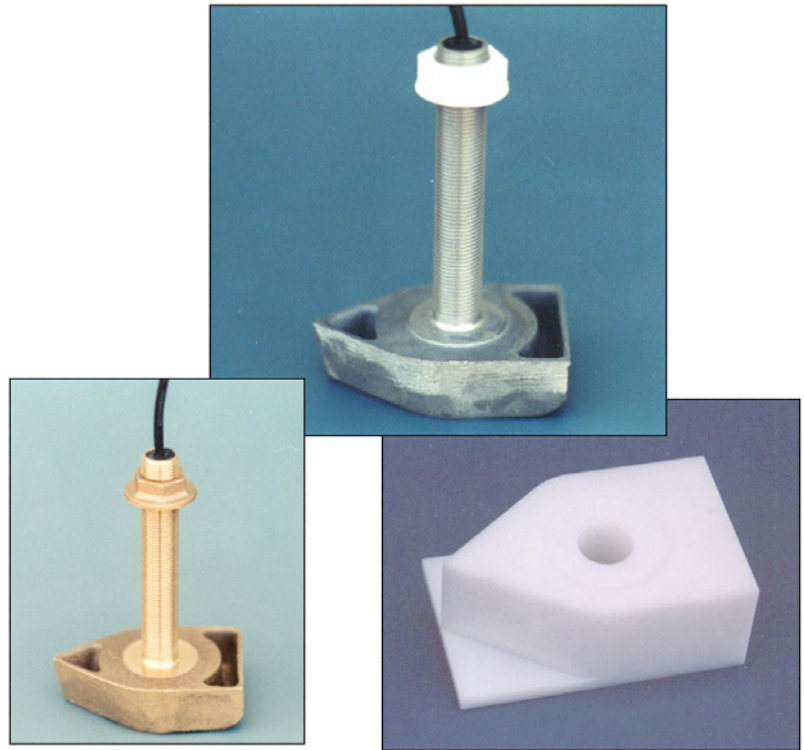
**50kHz to 200kHz**

The 201 is primarily designed for high performance fish finding applications. The 201 can accommodate a variety of high frequency elements up to 2” in diameter. When the 201 is combined with its streamline fairing block the total assembly develops very little drag.

The 201 is offered in two different types of housing material, cast bronze or anodized aluminum.

**Options:**

- Temperature sensor
- Fairing block, FB201
- Bronze or Aluminum housing
- Custom element configurations



Model 201B, 201A and Fairing Block shown.

**Applications:**

- 201B - Fiberglass or wood hulls only.
- 201A – Safe for all metal hulls.

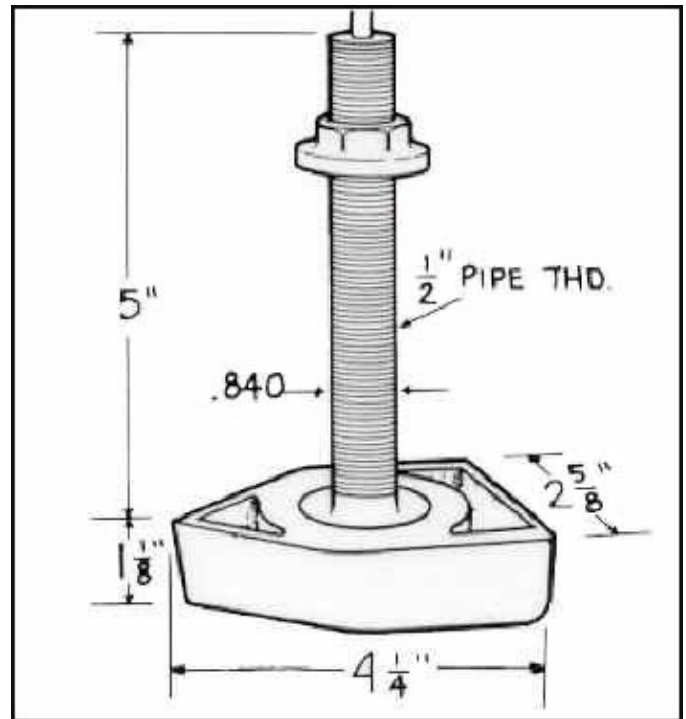
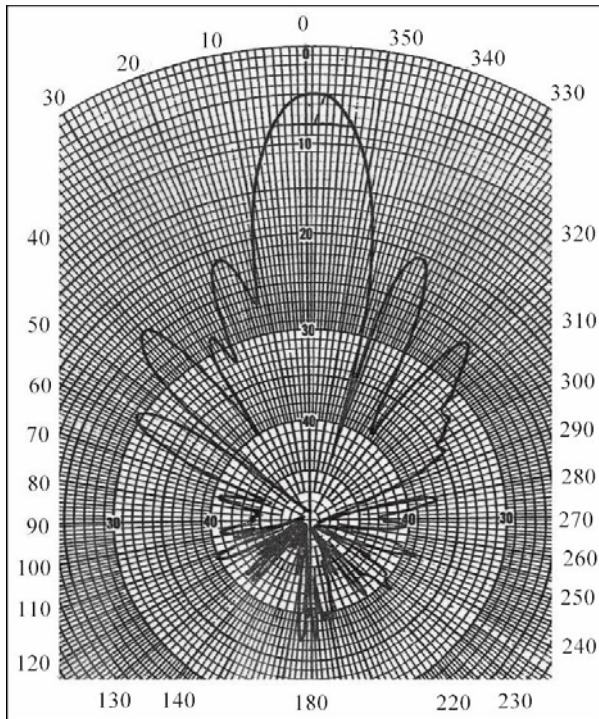
**Performance Data**

FREQUENCY (kHz)	BEAM WIDTH (degrees @ -3db)	ELEMENT SIZE (inches)	CAPACITANCE (pf) NOTE (1)	IMPEDANCE (ohms) NOTE (2)	TRANSMIT RESPONSE (db) NOTE (3)	RECEIVE RESPONSE (-db) NOTE (4)	POWER RATING, RMS (watts)	COMMENT
200	18	1.1	965	550	157	-189	300	
200	12	1.45	1265	480	161	-182	300	
200	11	1.7	1900	300	163	-185	600	Dual frequency, 50/200 kHz

Performance Data Continued								
FREQUENCY (kHz)	BEAM WIDTH (degrees @ -3db)	ELEMENT SIZE (inches)	CAPACITANCE (pf)	IMPEDANCE (ohms)	TRANSMIT RESPONSE (db)	RECEIVE RESPONSE (-db)	POWER RATING, RMS (watts)	COMMENT
			NOTE (1)	NOTE (2)	NOTE (3)	NOTE (4)		
200	9	2.0	2185	385	165	-186	600	
160	20	1.1	885	750	158	-189	300	
160	11	2.0	1750	550	164	-183	600	
120	38	1.0	1050	500	167	-181	300	
120	14	2.0	1725	320	164	-171	600	
75	29	1.7	4200	200	160	-184	600	
50	45	1.7	1600	440	156	-173	600	Dual frequency, 50/200 kHz

(1) with standard length cable. (2) equivalent series R in water. (3) the source level generated by one watt input. (4) the open circuit RMS voltage generated by a pressure of one microbar.

**200kHz – 1.45 Diameter Element**



**RADARSONICS INC.**

1190 N. Grove Street  
 Anaheim, CA 92806  
 (714) 630-7288