

5

4

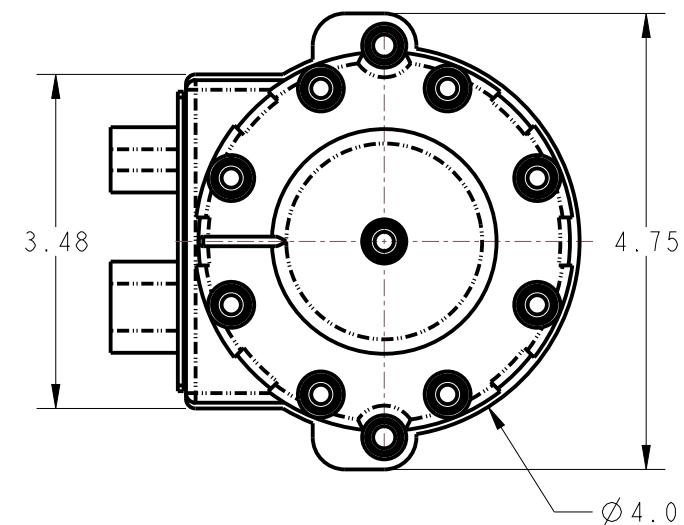
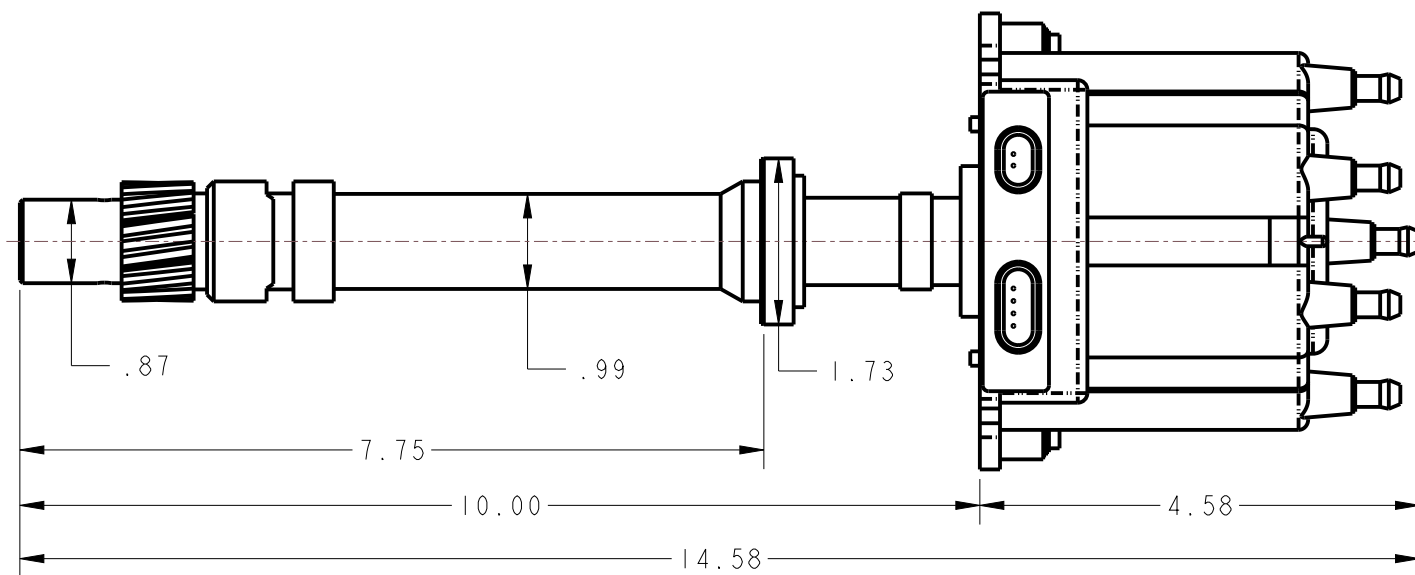
3

2

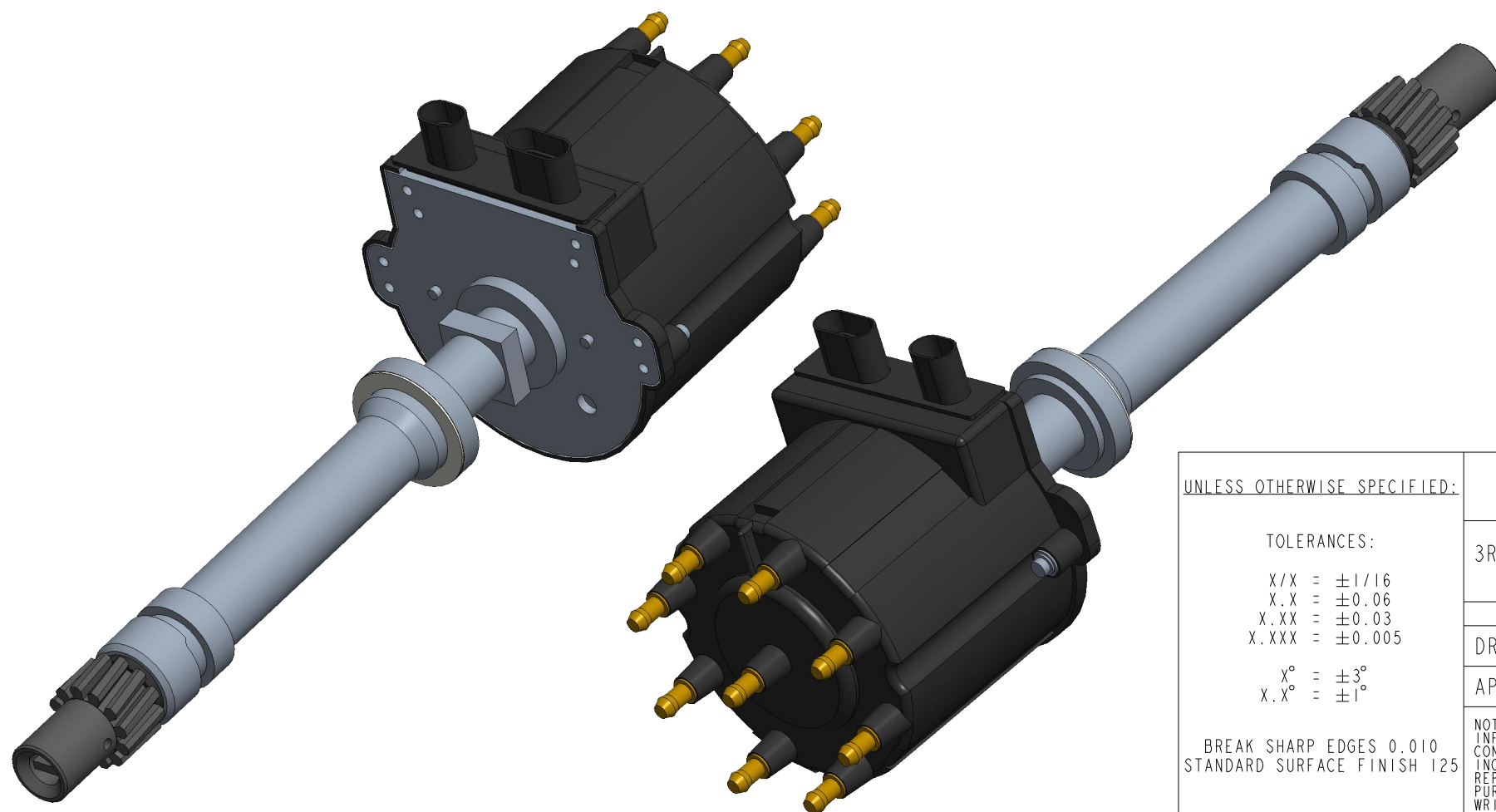
1

NOTES:
 1. 13 TOOTH MARINE GRADE DRIVE GEAR WITH A DOUBLE D OIL PUMP DRIVE.
 2. ICM FEATURES A BUILT IN LIMP MODE SETTING WITH 6-8° OF ADVANCE BEGINNING A 400RPM.

REVISIONS					
REV	DESCRIPTION	DATE	DRW	CHK	APP
A	New Drawing	10/19/2022	SS	SS	DS



SCALE 1:2



UNLESS OTHERWISE SPECIFIED:

TOLERANCES:

X/X = ±1/16
 X.X = ±0.06
 X.XX = ±0.03
 X.XXX = ±0.005

x° = ±3°
 x.X° = ±1°

BREAK SHARP EDGES 0.010
STANDARD SURFACE FINISH 125

UNLESS OTHERWISE SPECIFIED:
DIMENSIONS IN INCHES

3RD ANGLE PROJECTION

NAME:	DATE:
Shad Schoen	10/19/2022

APPROVED:	DATE:
D. Sturgeon	10/19/2022

NOTICE: THIS DRAWING, SUBJECT MATTER, AND ALL INFORMATION HEREIN IS THE SOLE, EXCLUSIVE, AND CONFIDENTIAL PROPERTY OF MARIN ACQUISITION (US) INCORPORATED AND SHALL NOT BE DISCLOSED, COPIED, REPRODUCED, OR USED IN WHOLE OR IN PART, FOR ANY PURPOSE OTHER THAN A SPECIFICALLY AUTHORIZED IN WRITING BY MARIN ACQUISITION (US) INCORPORATED.

SIERRA

TITLE:
Delco HEI Distributor

PROJECT:	DRAWING NO. 118-5484-1	REV A
----------	---------------------------	----------

SCALE: 1:1	SIZE: B	SHEET 1 OF 1
------------	---------	--------------

5

4

3

2

1