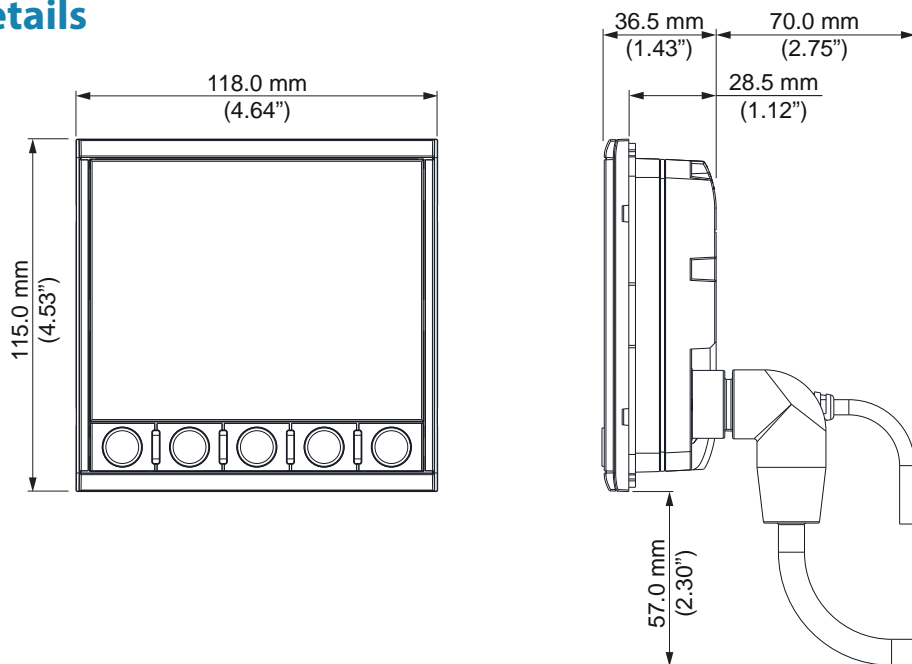


Details

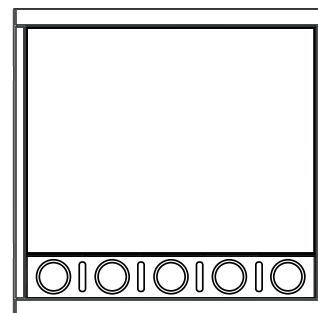


Technical specification

Electrical	
Supply voltage	12 V DC (10 - 15 V DC)
Fuse rating	3 A
Power consumption max	2.16 W (160 mA at 13.5 V)
Network load	1 LEN
Display	
Size	4.1" diagonal, 4:3 Aspect ratio
Resolution	320 x 240 pixels
Brightness	1200 nits
Viewing angles	80° top/bottom, 80° left/right
Environmental	
Waterproof rating	IPx7
Operating temperature	-25°C to +65°C (-13°F to +149 °F)
Storage temperature	-40°C to +85°C (-40°F to +185 °F)

SIMRAD

IS42J INSTALLATION GUIDE



For product manuals, technical specifications, certificates and declarations, refer to the product website:

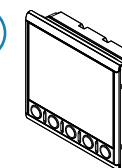
www.simrad-yachting.com



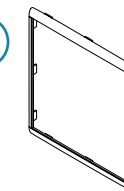
Parts included

- A.** Display unit
- B.** Removable bezel
- C.** Suncover
- D.** J1939 and power cable
- E.** NMEA 2000 kit
 - Micro-C Drop cable
 - Micro-C T-Connector
- F.** Mounting kit
 - Mounting template
 - Screws
 - Screw jig

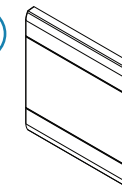
A



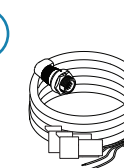
B



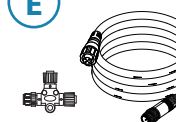
C



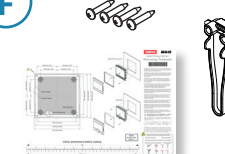
D



E

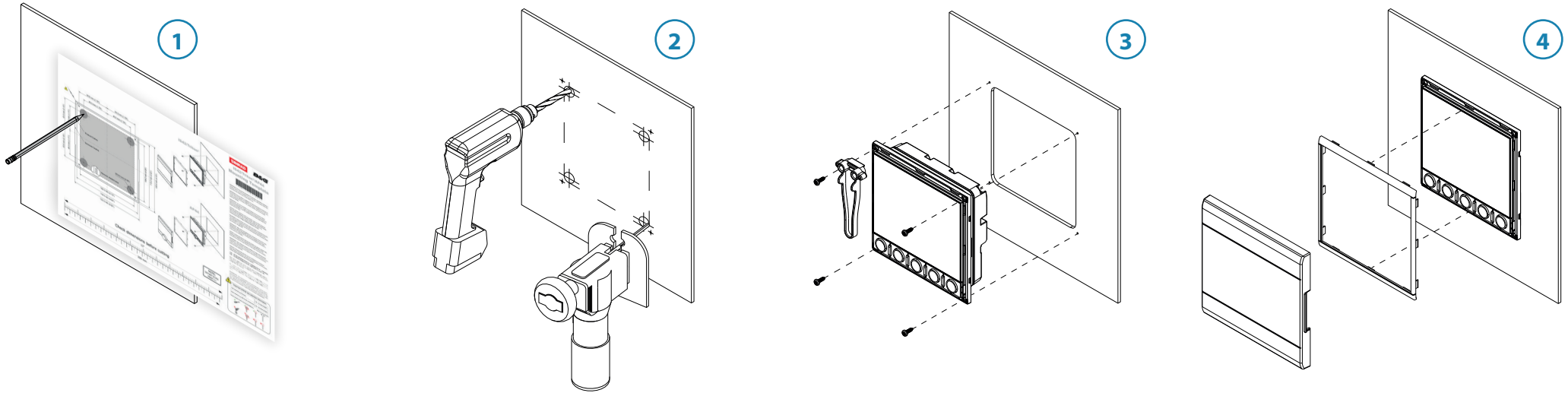


F



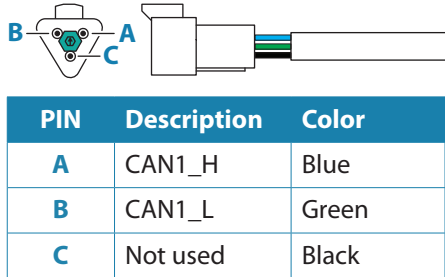
→ **Note:** For engine adapter cables, refer to www.simrad-yachting.com

Mounting

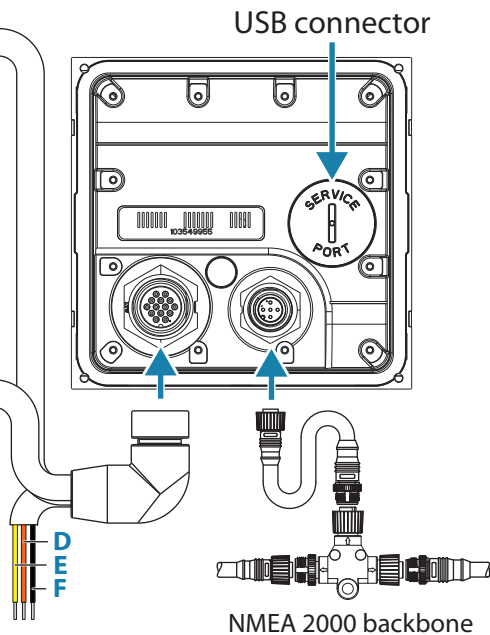
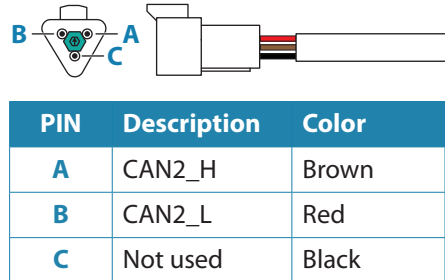


Wiring

J1939 CAN bus 1 (Primary)

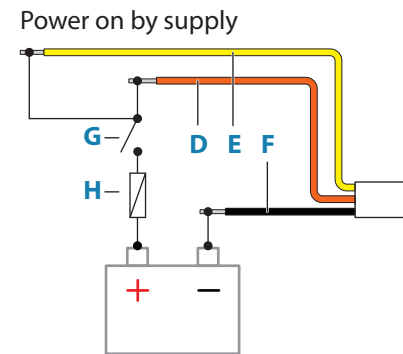


J1939 CAN bus 2 (Secondary)



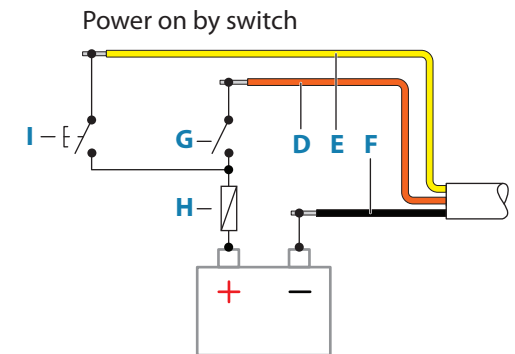
Item	Description	Color
D	Power wire	Orange
E	Power ON wire	Yellow
F	DC negative wire	Black

Item	Description
G	Main power switch
H	Fuse
I	Power on switch/ignition switch



To turn the unit on:

1. Apply power to the power wire (D)
2. Apply power to the power ON wire (E), permanently or momentarily



To turn the unit off:

- Switch off the main power to the unit (G)