

# SIONYX OPSIN

DNVM1

## QUICK START GUIDE

### CHANGE BATTERY PACK

- 1 Select proper AC adapter and attach to battery charger.
- 2 Plug battery charger into battery.
- 3 Plug in AC adapter to electrical outlet.
- 4 Charge the battery until the LED indicator turns green, indicating full charge.

### CONNECT BATTERY TO CAMERA

- 1 Insert the barrel connector into the battery receiver.
- 2 Turn the screw collar finger tight.
- 3 Align the witness mark on the cable with the witness mark on OPSIN.
- 4 To disconnect the power cable, pull up on the connector metal collar.

### ASSEMBLE SWING ARM

- 1 Assemble appropriate flip mount, mating the connector if necessary.
- 2 Loosen set screw [O] to allow lock lever full movement.
- 3 Align the mini rail receiver of the swing arm to the mini rail on OPSIN.
- 4 Depress lever on the swing arm and slide straight back until the arm locks into place.
- 5 Use the set screw [Q] to adjust interpupillary distance as needed.
- 6 To remove the swing arm from OPSIN, press the quick release button and slide swing arm off.

### POWER CAMERA ON

- 1 Connect camera to the battery pack.
- 2 Turn the power switch counter-clockwise (past click) to power the camera on.
- 3 Continue turning switch to adjust viewfinder brightness.
- 4 Turn the power switch clockwise (past click) to power camera off.

### ADJUST FOCUS + DIOPTER

- 1 Turn the diopter adjustment to focus the viewfinder until the on-screen menu appears sharp.
- 2 Turn the lens focus to optimize the image sharpness of the scene.

### COMPANION MOBILE APP

Download the SIONYX mobile app to experience the full capability of OPSIN.



SCAN HERE  
for iOS and Android app

[www.sionyx.com/pages/app](http://www.sionyx.com/pages/app)

### ⚠ WARNING

Failure to properly set up, use, and care for this product can increase the risk of serious injury, death, property damage, or damage to the product or related accessories. Exercise caution when using a SIONYX product as part of your active lifestyle. Always be aware of your surroundings to avoid injury to yourself and others.

- 1 Product shall be used in accordance with all manufacturing instruction and limits.
- 2 Read all provided documentation, and keep it for future reference.
- 3 Follow all instructions and heed all warnings.
- 4 Properly install, use, and maintain all power and data cable as per manufacturing specification.
- 5 Only use attachments and accessories specified and/or approved by SIONYX.
- 6 SIONYX OPSIN is designed to be serviced only by qualified service personal. Visit [SIONYX.com](http://SIONYX.com) for more information.
- 7 Use, maintain, and store battery in accordance with manufacturing instructions.

All product, product specification, and data are subject to change without notice to improve reliability, function, design, or otherwise. Visit [SIONYX.COM](http://SIONYX.COM) for up-to-date documentation.

**INCLUDED** OPSIN | Eye Cup | Eye Bumper | Swing Arm Battery | Battery Charger with International Plug Adapters Power Cable | Adjustment Tool Kit | MOLLE Carry Bag Helmet Mounting Kit

### REGISTER YOUR DEVICE

Register your device and stay up to date by visiting the URL or scanning the QR code below.



[www.sionyx.com/register](http://www.sionyx.com/register)

### NEED HELP?

SUBMIT A TICKET [www.sionyx.com/contact](http://www.sionyx.com/contact)

24/7 SUPPORT [www.support.sionyx.com](http://www.support.sionyx.com)

### FOLLOW US

Share your SIONYX content -- be sure to tag us and use #SIONYX to join the community.



## THIS IS SIONYX.

We believe that human endeavor should not be limited by daylight.  
In the darkness of night, greatness is possible. Adventure enabled.  
And a full sense of all sight achievable, no matter the light.

### FIRMWARE UPDATES

Before using OPSIN, scan the QR code to check for firmware updates.



**EN** Firmware update  
**FR** Mise à jour du firmware  
**IT** Aggiornamento del firmware  
**SP** Actualización de firmware  
**DE** Firmware Update

[www.sionyx.com/firmware](http://www.sionyx.com/firmware)

### FULL USER MANUAL

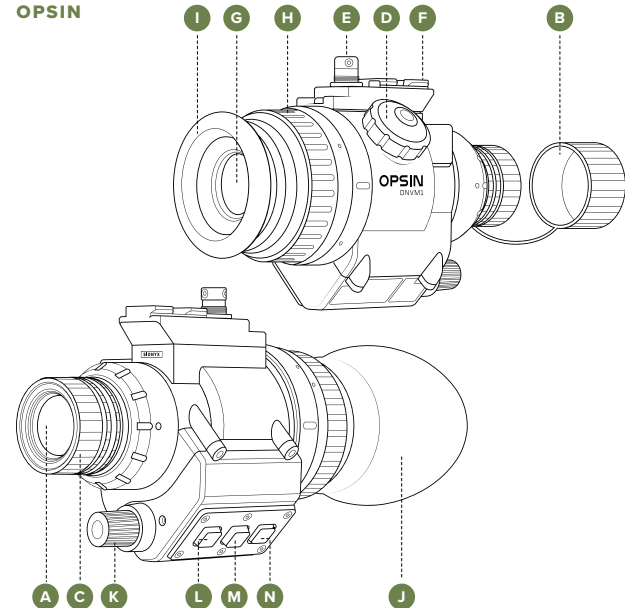
Scan the QR code to download the full OPSIN user manual.



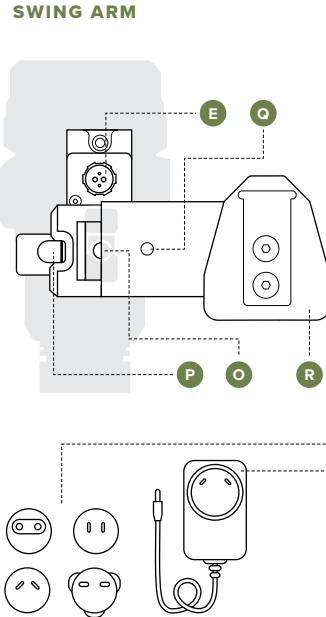
**EN** Full Documentation  
**FR** Documentation Complète  
**IT** Documentazione Completa  
**SP** Documentación Completa  
**DE** Vollständige Dokumentation

[www.support.sionyx.com](http://www.support.sionyx.com)

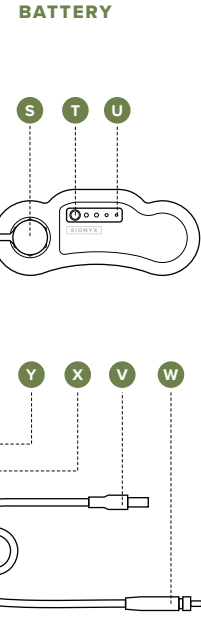
### OPSIN



### SWING ARM



### BATTERY



## PARTS LEGEND

### OPSIN

- A** Lens
- B** Lens Cap
- C** Lens Focus
- D** SD Card Compartment Cover
- E** Camera Power Connector
- F** Mini Rail
- G** Eyepiece
- H** Eyepiece Focus
- I** Eyepiece Bumper
- J** Eyecup
- K** Power Switch [EV] Exposure Value Control
- L** Front Button
- M** Center / OK Button
- N** Rear Button

### SWING ARM

- O** Quick Release Lock Screw
- P** Quick Release Button
- Q** Adjustment Screw
- R** Dovetail Rail

### BATTERY

- S** Power Connector
- T** Battery Level Button
- U** Battery Level Indicator LED
- V** Camera Cable Connector
- W** Battery Cable Connector
- X** AC Battery Charger
- Y** AC Battery Charger Adapter Kit

## BASIC BUTTON FUNCTIONALITY

Button	SHORT PRESS	LONG PRESS
<b>FRONT</b>	Take Still Image	Start / Stop Video Recording
<b>CENTER</b>	Zoom (1X - 2X - 3X )	Enter General Settings Menu
<b>REAR</b>	User Programmable (Default: ROI Select)	Adjust Refresh Rate (FPS)

## CAPTURE/GENERAL MENU BUTTON FUNCTIONALITY

Button	SHORT PRESS	LONG PRESS
<b>FRONT</b>	Focus on Previous Menu Item	-
<b>CENTER</b>	If no submenu exists: Set Current Value If submenu exists: Go To Next Submenu Level	Exit Settings
<b>REAR</b>	Focus on Next Menu Item	-

