

SIONYX

OPSIN

DNVM1



USER MANUAL

SIONYX, LLC

100 Cummings Center
Beverly, MA 01915
U.S.A.

FOLLOW US

Share your SIONYX content and be sure to tag us!



NEED HELP?

ONLINE CHAT	sionyx.com
SUBMIT A TICKET	sionyx.com/contact
24/7 SUPPORT	sionyx.com/support
CALL OR TEXT	(866) 827-8237

Register your device and stay up to date by visiting the URL or scanning the QR code below.



SIONYX, LLC

OPSIN

Made in Indonesia
[SIONYX.com/patents](https://sionyx.com/patents)



TABLE OF CONTENTS

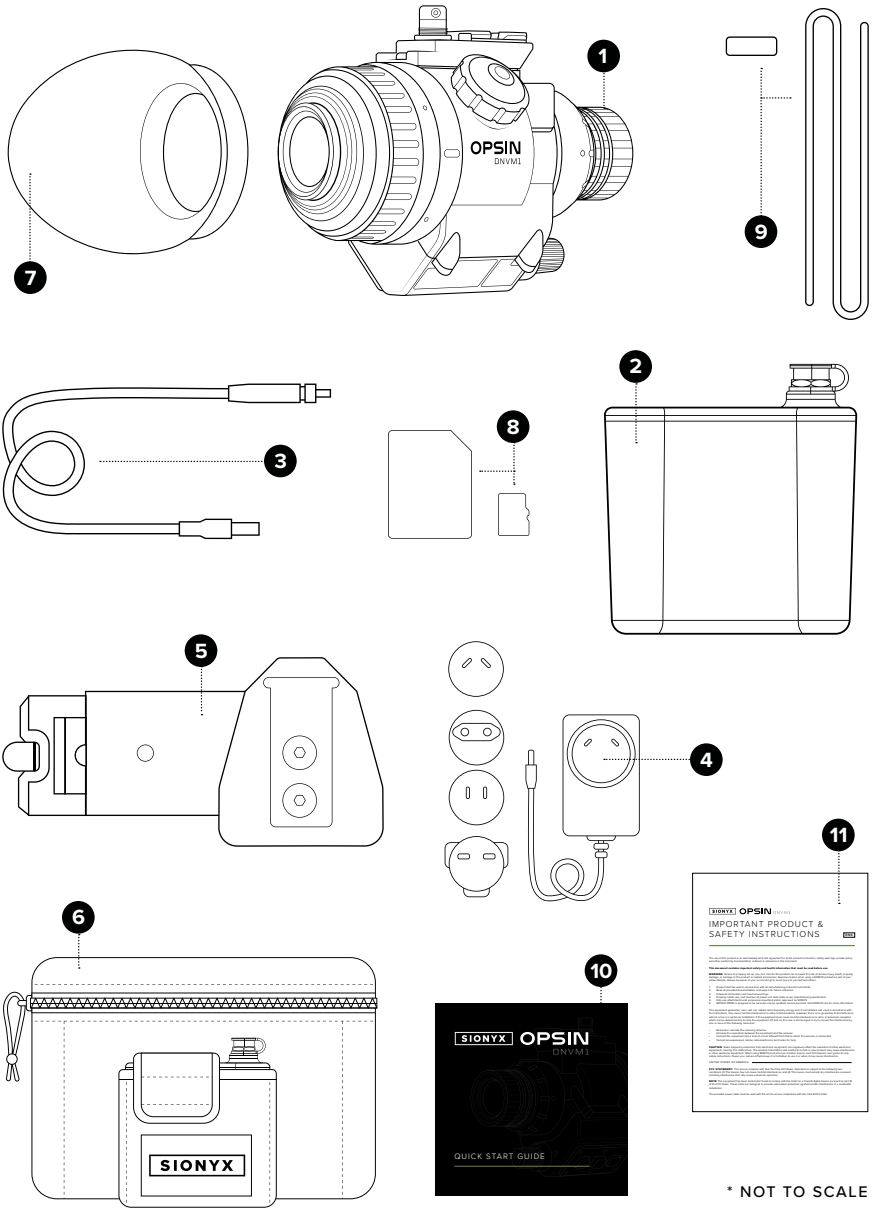
WELCOME TO OPSIN	02
GETTING STARTED	04
GETTING CONNECTED	08
OPERATING THE CAMERA	13
ADJUSTING THE OPTICS	15
EVF DISPLAY	17
USING OPSIN	18
BUTTON FUNCTIONS	38
HELMET INSTALLATION	43
SAFETY AND REGULATORY	46
ADDITIONAL RESOURCES	58

WELCOME TO OPSIN

THIS IS SIONYX. We believe that human endeavor should not be limited by daylight. In the darkness of night, greatness is possible. Adventure enabled. And a full sense of all sight achievable, no matter the light.

BOX INCLUDES:

-
- | | |
|----------|-------------|
| 1 | OPSIN DNVM1 |
|----------|-------------|
-
- | | |
|----------|--------------|
| 2 | BATTERY PACK |
|----------|--------------|
-
- | | |
|----------|---------------|
| 3 | BATTERY CABLE |
|----------|---------------|
-
- | | |
|----------|-----------------|
| 4 | BATTERY CHARGER |
|----------|-----------------|
-
- | | |
|----------|----------------------------|
| 5 | HELMET MOUNT QUICK-RELEASE |
|----------|----------------------------|
-
- | | |
|----------|----------------|
| 6 | SOFT CARRY BAG |
|----------|----------------|
-
- | | |
|----------|---------|
| 7 | EYE CUP |
|----------|---------|
-
- | | |
|----------|-------------------------|
| 8 | MICRO SD CARD + ADAPTER |
|----------|-------------------------|
-
- | | |
|----------|----------------------|
| 9 | BUNGEE + BUNGEE CLIP |
|----------|----------------------|
-
- | | |
|-----------|-------------------|
| 10 | QUICK START GUIDE |
|-----------|-------------------|
-
- | | |
|-----------|----------------------|
| 11 | REGULATORY STATEMENT |
|-----------|----------------------|
-



* NOT TO SCALE

GETTING STARTED

To get started, please review the legends on the following pages.

OPSIN:

A-C BUTTONS

D ON/OFF, BRIGHTNESS KNOB

E OBJECTIVE LENS

F LENS FOCUS RING

G EVF DIOPTER ADJUST RING

H MICROPHONE PORT

I EYE CUP

J ELECTRONIC VIEW FINDER (EVF)

K EVF DIOPTER ADJUST RING

L POWER CABLE CONNECTOR

M SD CARD COVER

N MINI RAIL

BATTERY + ACCESSORIES:

O BATTERY

P BATTERY LEVEL INDICATOR

Q BATTERY LEVEL BUTTON

R BATTERY TERMINAL
(WATERPROOF)

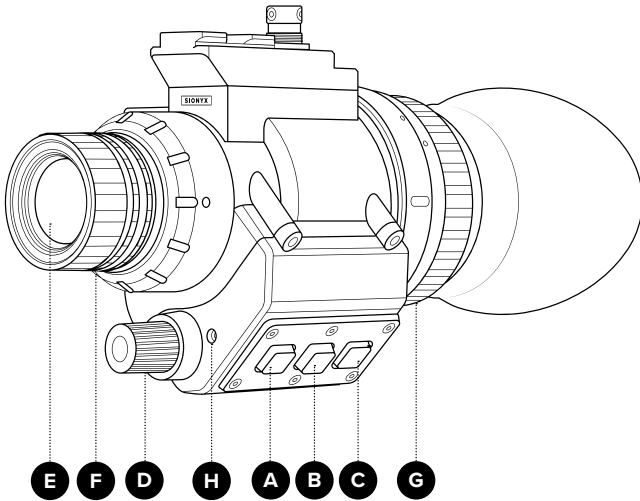
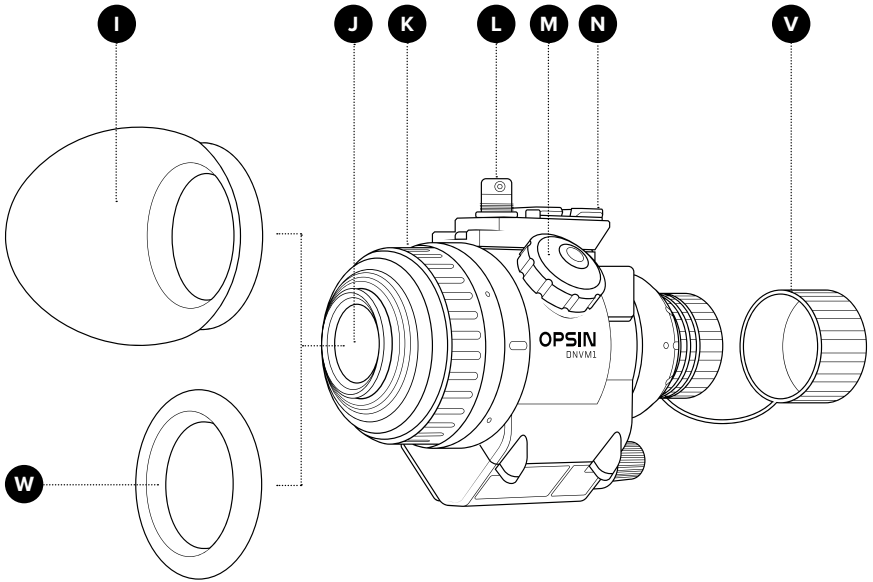
S BATTERY CABLE

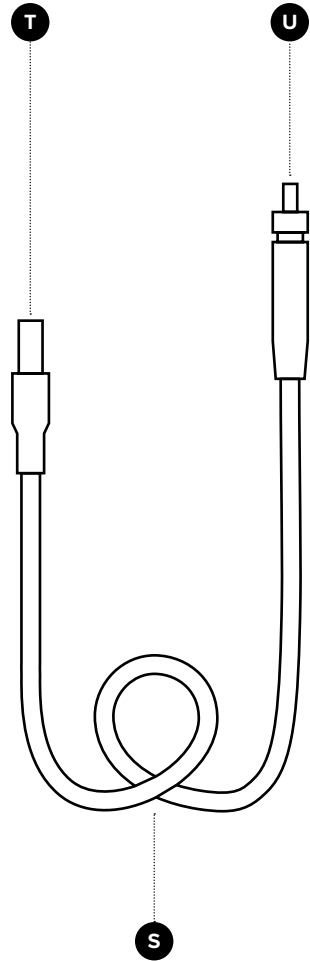
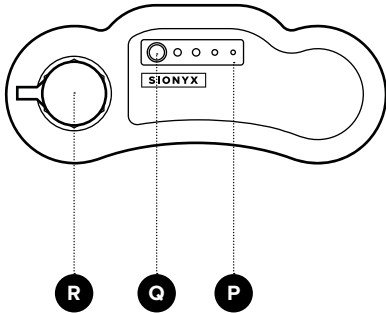
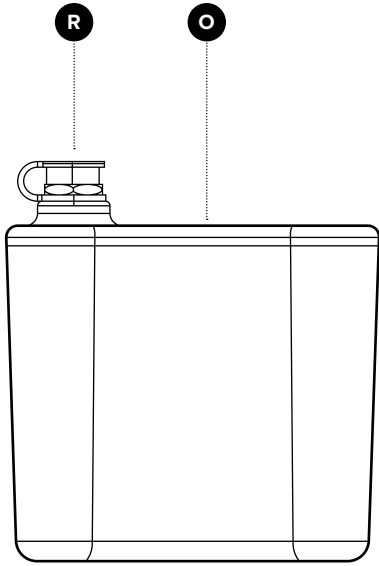
T CAMERA CABLE CONNECTOR

U BATTERY CABLE CONNECTOR

V LENS CAP + TETHER

W RUBBER BUMPER





EYECUP + VIEWFINDER BUMPER

1. OPSIN comes supplied with a protective **RUBBER EYE-CUP** and an optional **RUBBER BUMPER**. See **FIGURE 1**. NOTE: OPSIN ships with the Rubber Bumper installed. If using the eye cup, the rubber bumper will need to be removed prior to installation.
2. Fit either accessory over the end of the viewfinder until the ring grips the retaining ring on the device.
3. If using the eye cup, rotate until it fits in a comfortable position when looking through the **VIEWFINDER**.

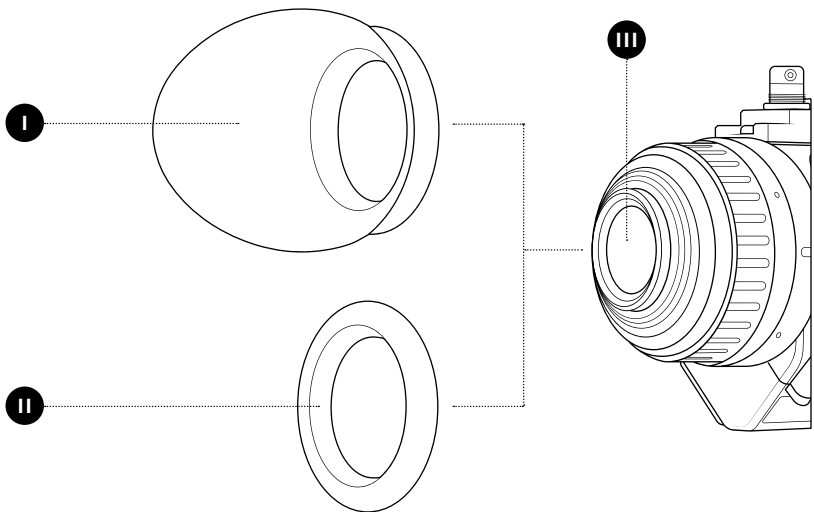


FIGURE 1:

-
- | | |
|----------|-----------------------|
| I | RUBBER EYE CUP |
|----------|-----------------------|
-
- | | |
|-----------|----------------------|
| II | RUBBER BUMPER |
|-----------|----------------------|
-
- | | |
|------------|-------------------------------------|
| III | ELECTRONIC VIEW FINDER (EVF) |
|------------|-------------------------------------|
-

GETTING CONNECTED

CHARGING THE BATTERY

1. Refer to **FIGURE 2**. Press the **BATTERY LEVEL BUTTON** to determine the battery's level of charge. A fully charged battery will display 4 green lights in the **BATTERY LEVEL INDICATOR**.
2. To charge the battery, select the correct **AC PLUG** for your region. (OPSIN includes plugs for NAM/Japan, EU, UK, S. Korea, and Australia).
3. Install the **AC PLUG** into the **BATTERY CHARGER** AC adapter by:
 - a. Aligning the tabs on the AC plug with the slots on the AC adapter.
 - b. Rotating the AC plug until it locks (there will be an audible click).
4. Open the **BATTERY TERMINAL COVER**.
5. Plug the charger cable into the battery connector (making sure it is fully engaged).
6. Plug the battery charger AC adapter into an AC power outlet.
7. Keep the battery plugged in until it is fully charged.

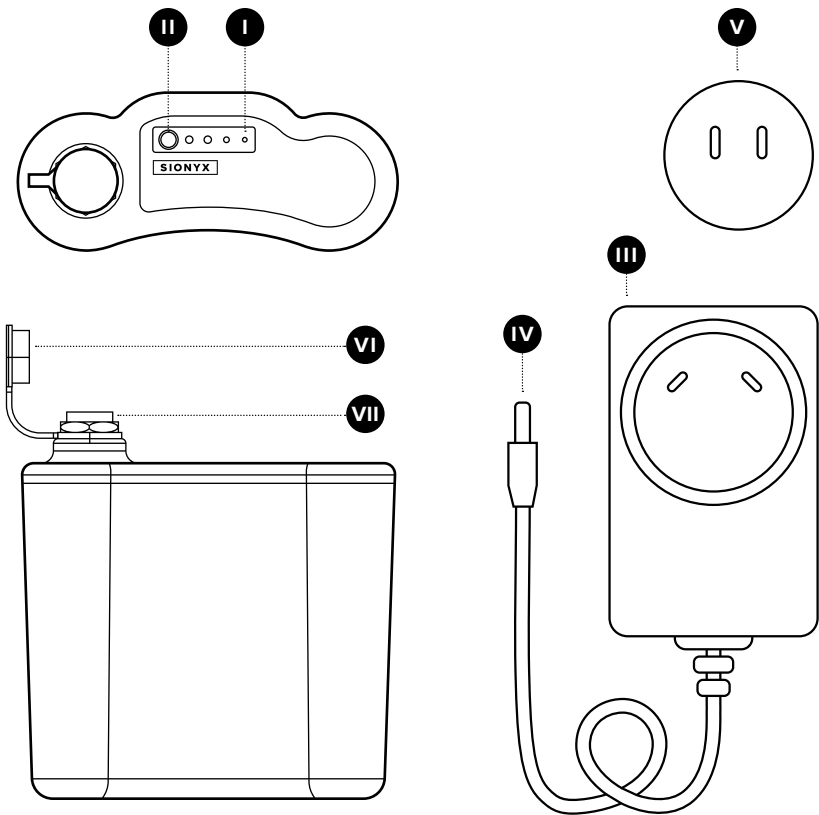


FIGURE 2:

I BATTERY LEVEL INDICATOR

II BATTERY LEVEL BUTTON

III CHARGER

IV CHARGER PLUG

V CHARGER AC PLUG
(NAM SHOWN)

VI BATTERY TERMINAL COVER

VII BATTERY TERMINAL

CONNECTING TO POWER

1. Refer to **FIGURE 2**. Ensure your **BATTERY** is fully charged before attempting to connect to your device.
2. Open the **BATTERY TERMINAL COVER**.
3. Plug the **BATTERY CABLE CONNECTOR** into the **BATTERY**. Tighten the connector by turning it clockwise until hand-tight. This ensures a water resistant seal between cable and the battery.
4. Refer to **FIGURE 3**. Attach the **CAMERA CABLE CONNECTOR** to OPSIN. To properly make the connection the white dot on the locking connector body should align with the white dot on the **POWER CABLE CONNECTOR** body.
5. Push the halves of the connector together until there is an audible 'click.'

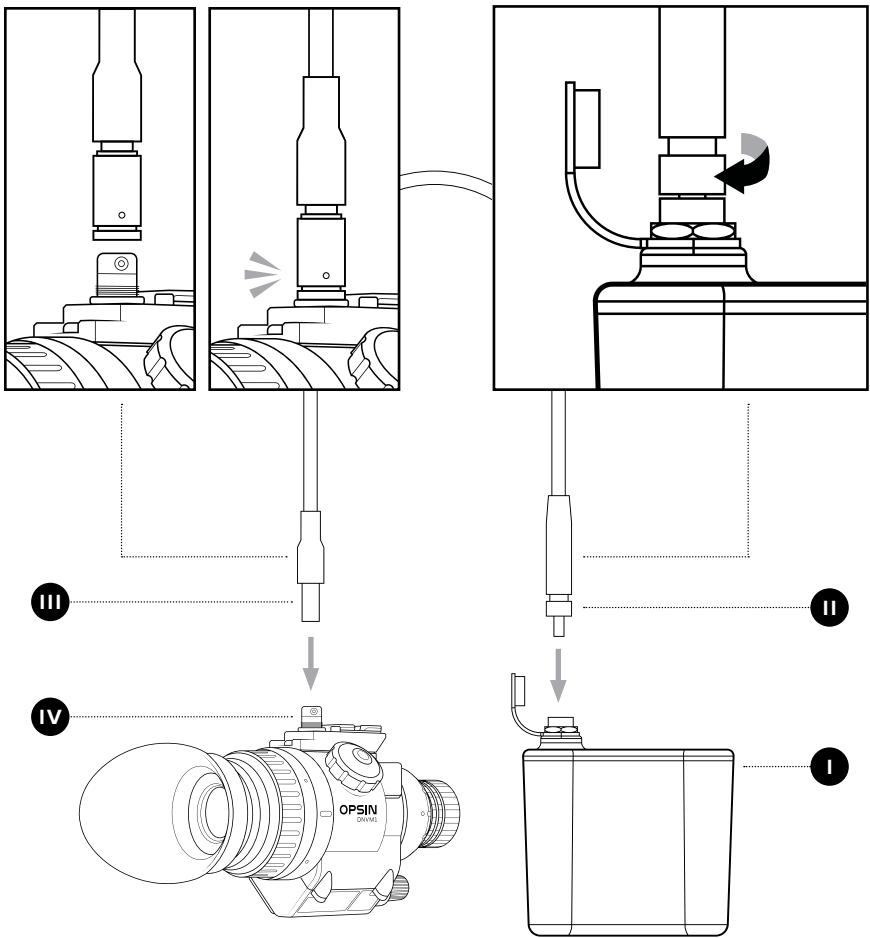


FIGURE 3:

I BATTERY

II BATTERY CABLE CONNECTOR

III CAMERA CABLE CONNECTOR

IV POWER CABLE CONNECTOR

DISCONNECTING THE BATTERY

1. Refer to **FIGURE 4**. With one hand gripping the device, pull the **SLEEVE** on the **CAMERA CABLE CONNECTOR** upwards away from the camera. With the sleeve in the upward position, pull on the **CAMERA CABLE CONNECTOR** until it releases from the device.
2. Unscrew the **BATTERY CONNECTOR CABLE** (turn counter-clockwise) and remove the plug from the battery.
3. Place the battery terminal cover over the battery terminal. This will protect the terminal from damage and debris.
4. Carefully stow the cable and the battery in the battery pouch provided.

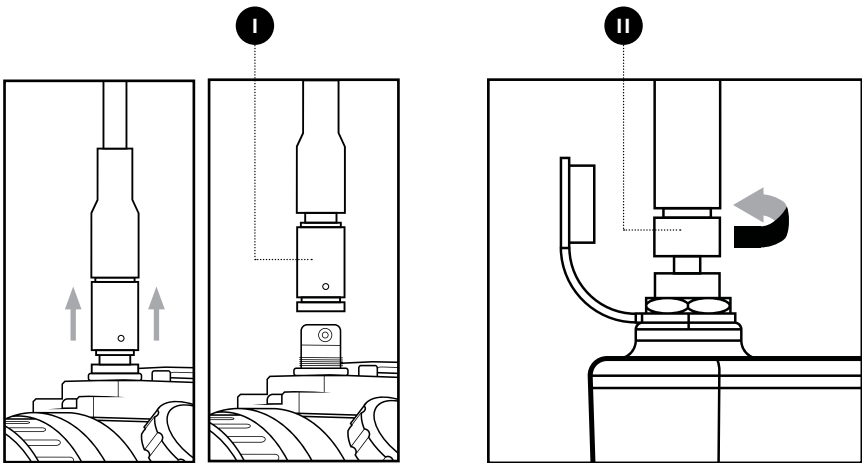


FIGURE 4:

I CAMERA CABLE CONNECTOR SLEEVE

II BATTERY CABLE CONNECTOR

OPERATING THE CAMERA

TURNING ON THE CAMERA

1. Ensure the camera is connected to the battery pack according to the steps in the 'CONNECTING TO POWER' section.
2. Refer to **FIGURE 5**.
3. Look through the **EVF** and check that turning the **POWER / BRIGHTNESS KNOB** results in an image displayed on the screen. The camera takes several seconds to boot up. Turning the knob controls the display brightness of the screen. To dim the display turn the knob clockwise. To brighten the display turn the knob counter-clockwise.

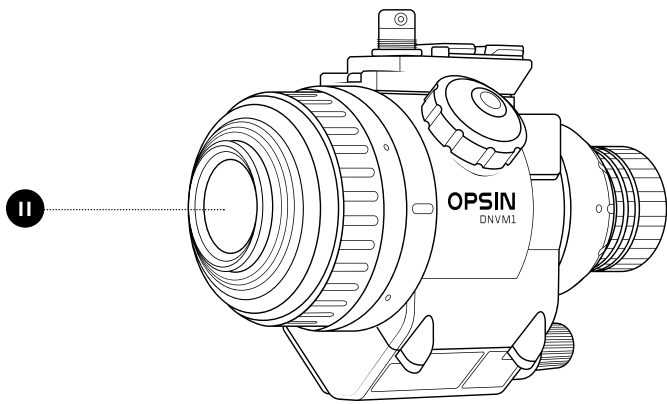
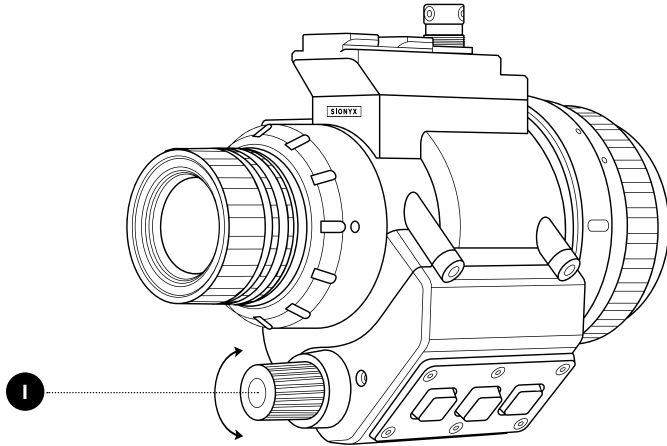
TURNING OFF THE CAMERA

1. Turn the knob clockwise until the knob clicks. The camera is turned off, however it is safest to disconnect the battery cable and store the battery when not using the camera. **NOTE:** It will take several seconds for the camera to power down.

FIGURE 5:

I ON + OFF / BRIGHTNESS KNOB

II ELECTRONIC VIEWFINDER (EVF)



ADJUSTING THE OPTICS

FOCUS THE DIOPTER

1. Refer to **FIGURE 6**. Turn the **EVF DIOPTER ADJUSTMENT RING** clockwise or counter clockwise to bring the characters on the display into focus. The optimal diopter setting will vary by user.

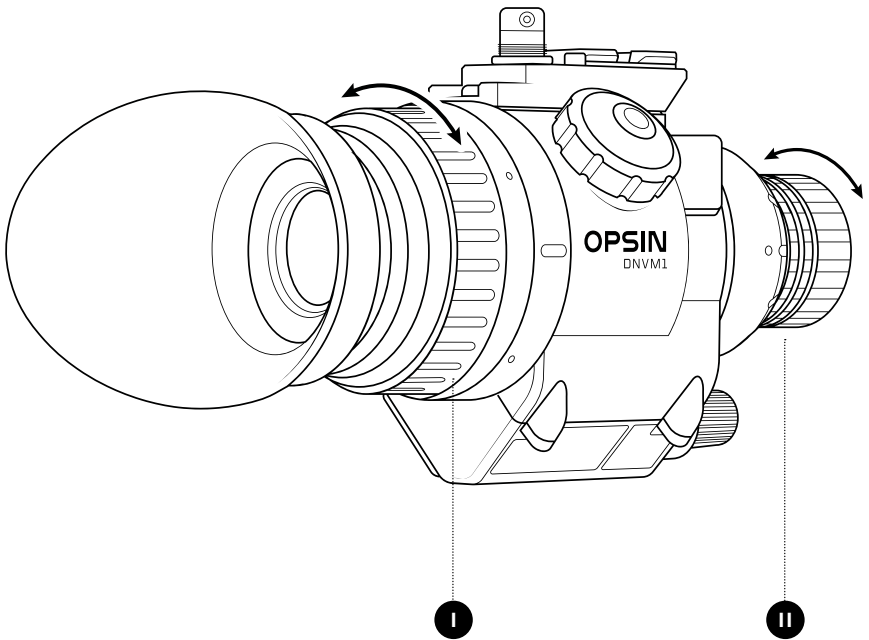
MANUAL FOCUS

1. Refer to **FIGURE 6**. Focus the lens to the scene by turning the manual lens **FOCUS ADJUSTMENT RING**. Turning the ring clockwise brings closer objects into focus and turning the ring counter clockwise brings far away objects into focus. For the best user experience, the diopter focus should be set before adjusting the manual focus.

FIGURE 6:

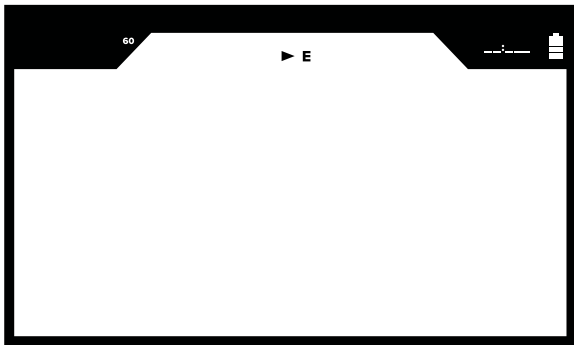
I DIOPTRER ADJUSTMENT RING

II FOCUS ADJUSTMENT RING



EVF DISPLAY

1. OPSIN's EVF displays the image seen by the camera. The top of the display shows critical information such as:
 - Non-Uniformity Correction (NUC) Status
 - Exposure Value (EV)
 - Display Frame Rate
 - Zoom Level
 - GPS Coordinates
 - Compass Heading
 - SD Card Status
 - Battery Status
 - Time
2. For detailed description of each of the features shown in the viewfinder see the section titled "Using OPSIN" section.



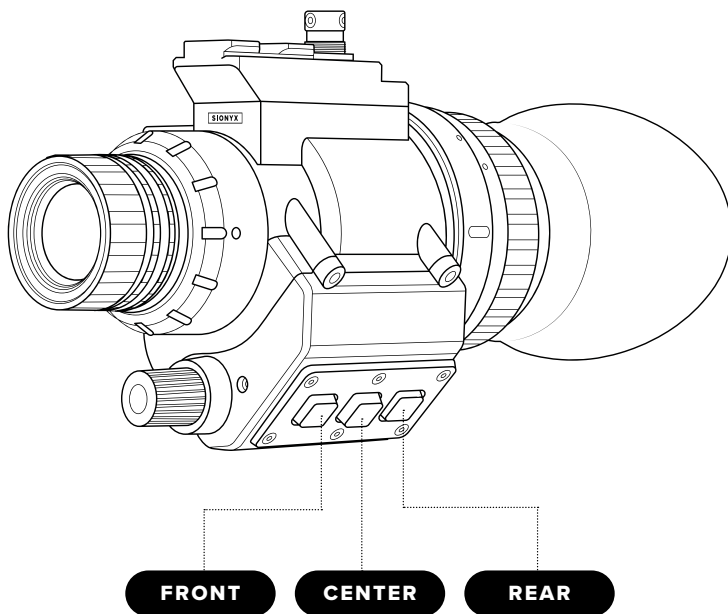
USING OPSIN

OPSIN offers capabilities beyond the ability to see in the dark. This section provides a summary of the product's features.

BUTTON FUNCTIONALITY

OPSIN has three buttons used to invoke functions or navigate the internal menu. OPSIN's button layout is shown in **FIGURE 7**.

FIGURE 7:



BASIC BUTTON FUNCTIONALITY

BUTTON	SHORT PRESS	LONG PRESS
FRONT	TAKE STILL IMAGE	START + STOP VIDEO RECORDING
CENTER	ZOOM (1X 2X 3X)	ENTER SETTINGS MENU
REAR	ADJUST EXPOSURE VALUE (EV)	ADJUST REFRESH RATE (FPS)

MENU BUTTON FUNCTIONALITY

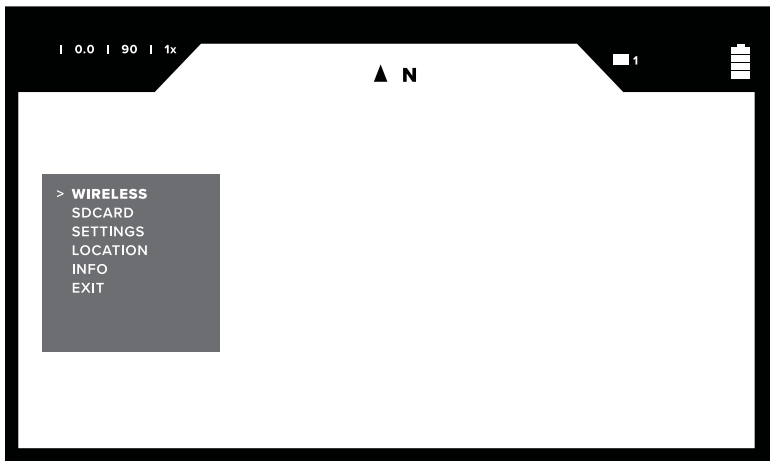
BUTTON	SHORT PRESS	LONG PRESS
FRONT	FOCUS ON PREVIOUS MENU ITEM	N/A
CENTER	IF NO SUBMENU EXISTS; SET CURRENT VALUE IF SUBMENU EXISTS; GO TO NEXT SUBMENU LEVEL	EXIT SETTINGS
REAR	FOCUS ON NEXT MENU ITEM	N/A

MENU NAVIGATION

OPSIN has a menu that allows the user to change camera settings. To access the menu:

- Press and hold the center button to invoke the internal menu.
- Use the front and rear button to navigate up and down.
- The text will change from regular to bold as the cursor moves up and down the items.
- The current status of a setting is shown in blue text.
- To access sub-menus (if available), perform a short press of the center button to navigate down a level. At that point, the display will show the settings options. The cursor will now point at the first of one or more available choices.
- Holding the center button at any menu level will exit to live view.

The image below shows the main menu options:

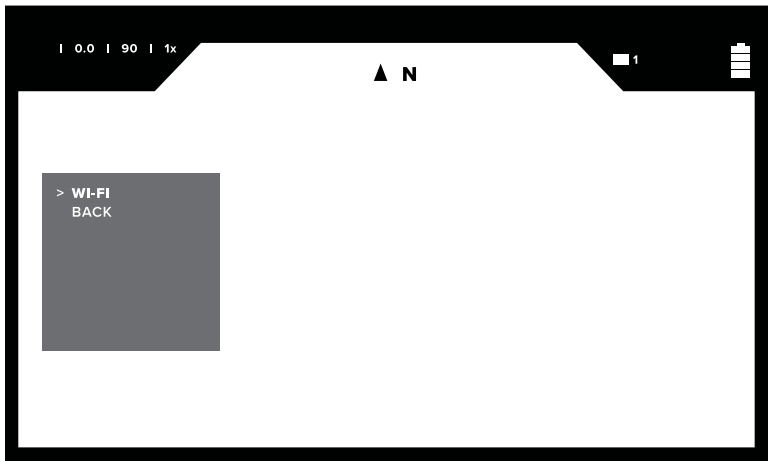


WIRELESS

The wireless menu allows OPSIN's WiFi to be turned on or off. The default setting is off.

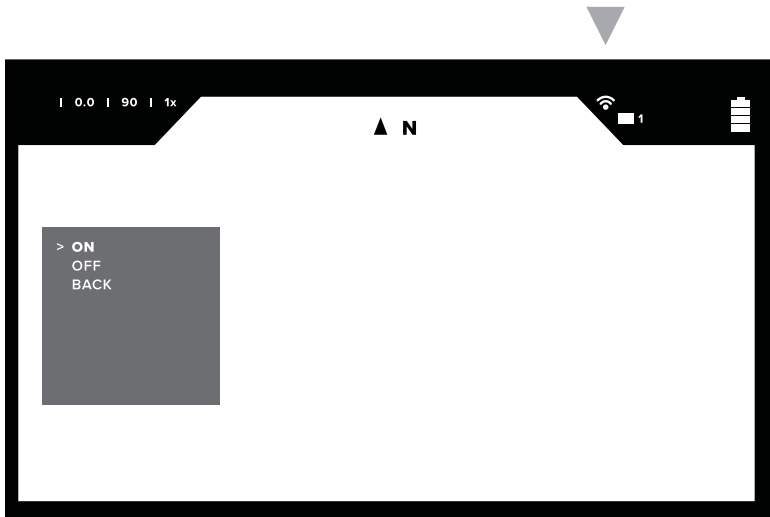
To update the wireless setting take the following steps:

1. Access the main menu.
2. Select WIRELESS and press the center button.
3. This will bring up the WIRELESS sub-menu:



4. Select WI-FI and press the center button.
5. To turn on WI-FI navigate to WI-FI and press the center button.

6. This will turn on WI-FI and the WI-FI icon will appear on the display.



7. To turn WI-FI off, navigate to the WI-FI sub-menu, select off, and press the center button.
8. WI-FI will be turned off and the WI-FI icon will disappear from the display.
9. To exit the menu and return to live view, perform a press and hold on the center button.

SD CARD: INSERTING + FORMATTING

1. Remove the **SD CARD COVER** by rotating counter-clockwise. Refer to **FIGURE 8**.

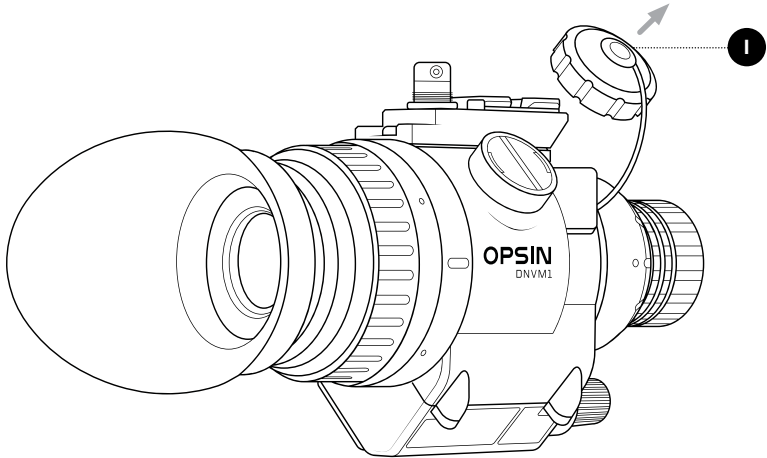


FIGURE 8:

1 SD CARD COVER

2. Insert a micro-SD Card (up to 256 GB) into the SD Card slot. SIONYX recommends using a micro-SD card with a Video Speed Class of at least V30. A micro-SD card and SD card adapter (to allow transfer of captured images and video to a PC) is included with OPSIN.
3. Reattach the SD Card cover and properly tighten (approx. 1/8 turn clockwise) to maintain the IP rating of the device.
4. If a micro-SD card is installed in OPSIN (prior to boot) the micro-SD card icon on the display will appear.

5. To use the micro-SD to capture images and videos it needs to be formatted in OPSIN. **NOTE:** A micro-SD card that has been previously formatted on another device will need to be re-formatted on OPSIN.
 - A. If a card is not formatted, the micro-SD card icon will appear on the display with no number.



- B. If a card has been formatted, the micro-SD card icon will appear on the display with a number next to it. The number indicates the number of files saved on the card.

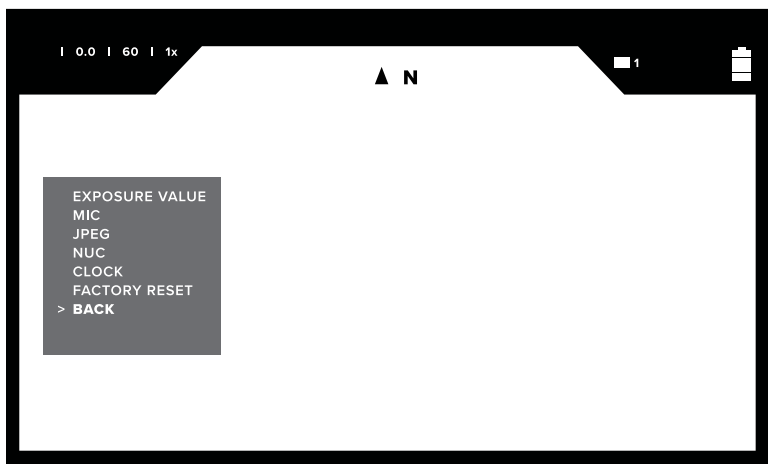


6. To format the SD card, bring up the main menu by pressing and holding the center button.
7. Navigate to SD card and press the center button to bring up the SD card menu.
8. Navigate to format and press the center button.
9. OPSIN will format the micro-SD card for use on the device. During formatting a red micro-SD card icon will appear on the display.



SETTINGS

1. To bring up a detailed list of OPSIN settings, perform a press and hold on the center button to access the menu.
2. Navigate to settings and press the center button.
3. The list of options shown below will be displayed.



EXPOSURE VALUE (EV)

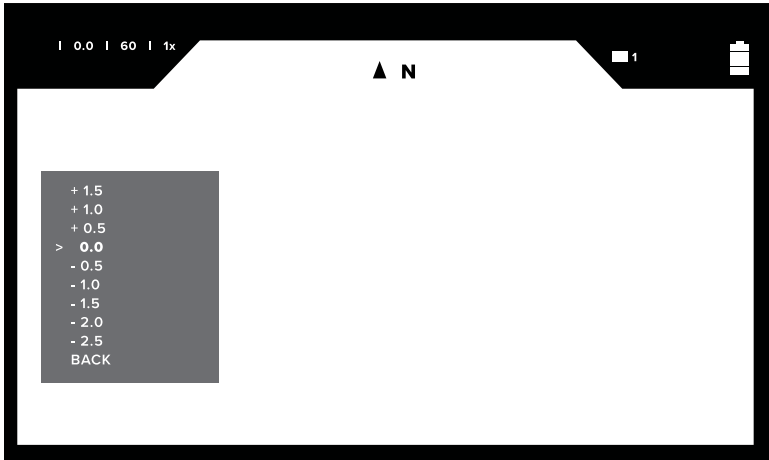
The exposure value is the result of an internal algorithm, using sensor analog gain, digital gain and exposure time to adjust the image's perceived brightness. EV adjustments are based on a scale of -2.5 to +1.5 with 0.5 steps. Image brightness in system performance is subjective. Note: Image brightness is different than display brightness (which can be adjusted using the ON/OFF knob).

In general, a low EV value will provide best results when used in a bright scene with high dynamic range, providing a dampening effect to high brightness areas of the image. Using a low EV setting allows the user to better see a region in the image that is too bright.

A high EV value is best used in a low light scene with a low dynamic range. The high EV value will boost the signal and increase low light sensitivity. Using a high EV setting will allow the user to better see a region in the image that is too dark. In a very low light scene, the higher EV value will also increase scene noise, therefore its best to find a balance between low light performance and signal to noise ratio.

EV can be set either through the menu or using a short press of the rear button (See OPSIN Button Functions section). To set via the menu:

1. Perform the following navigation Menu > Settings > Exposure Value
2. Navigate through the E.V. settings to select the desired level and press the center button.

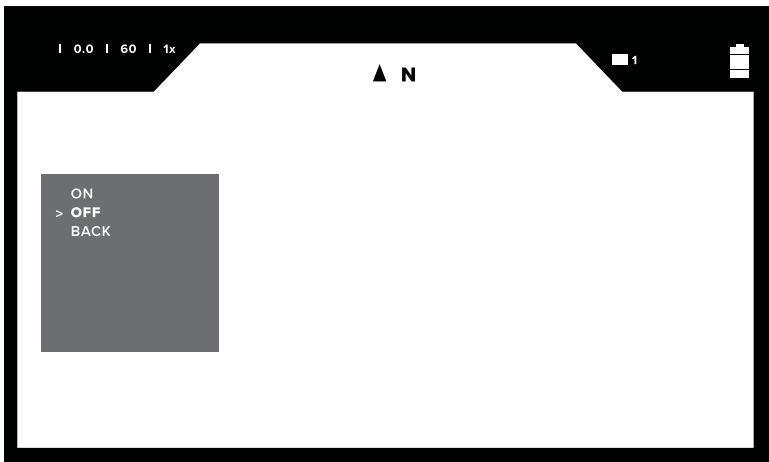


3. The E.V. will be updated, perform a long press of the center button to exit to live view.

MICROPHONE

OPSIN is equipped with a built-in microphone [MIC] to record the audio track for videos. The MIC is located on the front face of OPSIN next to the ON/OFF/Brightness switch. The MIC is IP67 and can operate in any type of weather. The audio recording feature of a video can be disabled by turning the MIC ON or OFF. The default setting for the MIC is OFF.

1. To turn the MIC ON/OFF, perform the following navigation:
Menu > Settings > MIC



2. Select the desired option and press the center button to enable the setting. If the MIC is turned ON, the microphone icon will appear on the display. **NOTE: The MIC must be turned on before starting video recording to capture audio.**

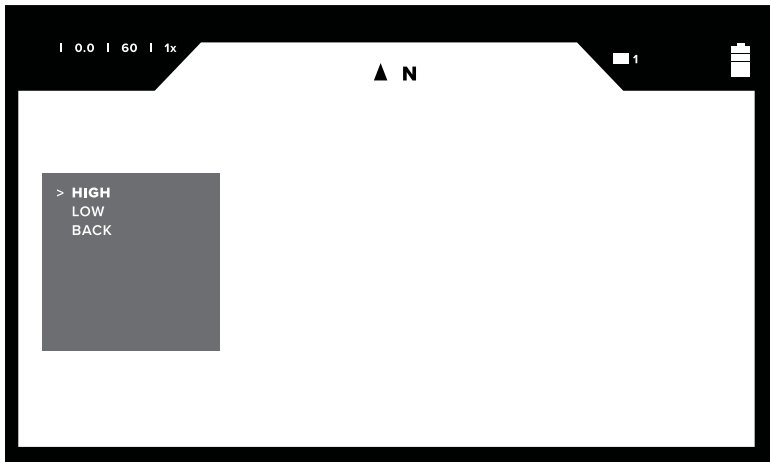


JPEG

OPSIN provides HIGH and LOW JPEG compression option. The High compression option will generally result in a smaller file. The Low compression option will generate larger files more suited for post-production or manipulation. The default setting is HIGH.

To manage the JPEG compression settings:

1. To manage JPEG compression, perform the following navigation:
Menu > Settings > JPEG
2. Select the desired option and press the center button to enable the setting.

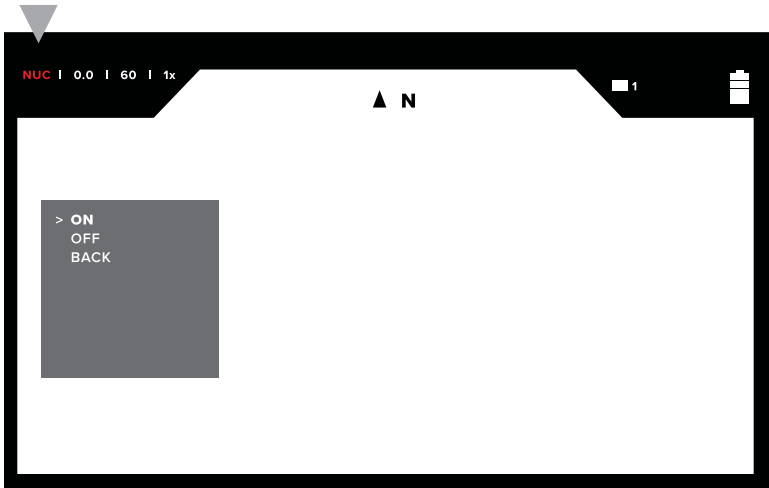


NON-UNIFORMITY CORRECTION (NUC)

Non-uniformity correction is a common digital sensor signal processing step to reduce noise and improve signal quality. All digital image sensors have an inherent pixel noise level that is unique from sensor to sensor. The pixel noise level is affected by multiple aspects of the sensor and processing system. Pixel noise creates a Fixed Pattern Noise (FPN) that can be seen in low light scenes while panning. FPN appears in the form of ‘noisy’ pixels that stay in the same position as the camera pans across a scene. It has the resemblance of looking through a screen door.

OPSIN has a built in Non-Uniform Correction [NUC] function designed to improve image quality in low light situations.

1. To manage NUC setting, perform the following navigation:
Menu > Settings > NUC
2. To turn on NUC, highlight ON in the NUC menu and press the center button.
3. When NUC is enabled, the NUC icon will appear on the display:



4. With NUC enabled:

- A. A red NUC icon signifies the feature is on, but not active.
- B. A green NUC icon signifies the feature is on and is active.

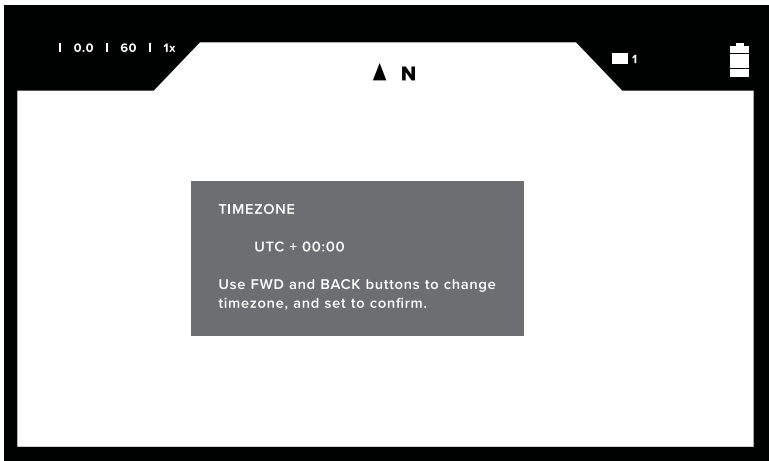
Note: When NUC is enabled, OPSIN will automatically determine if it should be active based on a variety of scene variables and camera settings.

5. To disable NUC, return to the NUC menu and update the setting to OFF.

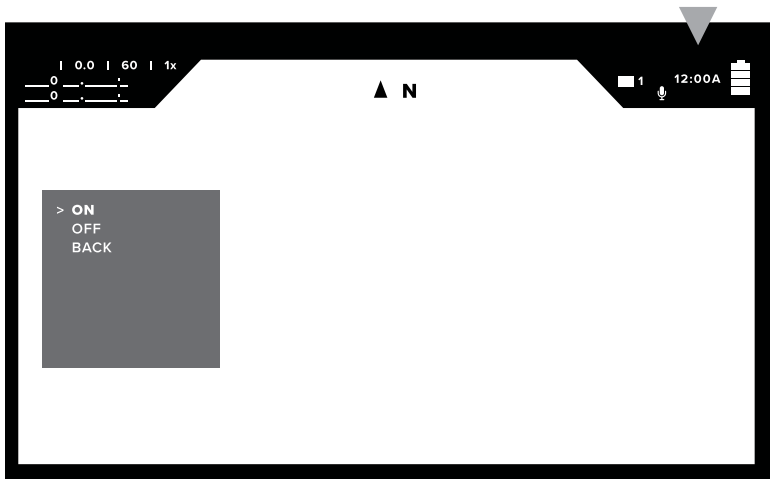
CLOCK

OPSIN uses the onboard GPS receiver to acquire date and time. To assure proper time localization, a time zone must be set. The time zone is based on an offset from the UTC time. Date and time will only be available when a GPS signal is present.

1. To set the time zone, perform the following navigation:
Menu > Settings > Clock > Time Zone
2. Use the front and rear button to set the time offset from UTC, then press the center button to set and exit.



3. It may take several minutes to obtain a GPS fix and the proper time to be displayed.



FACTORY RESET

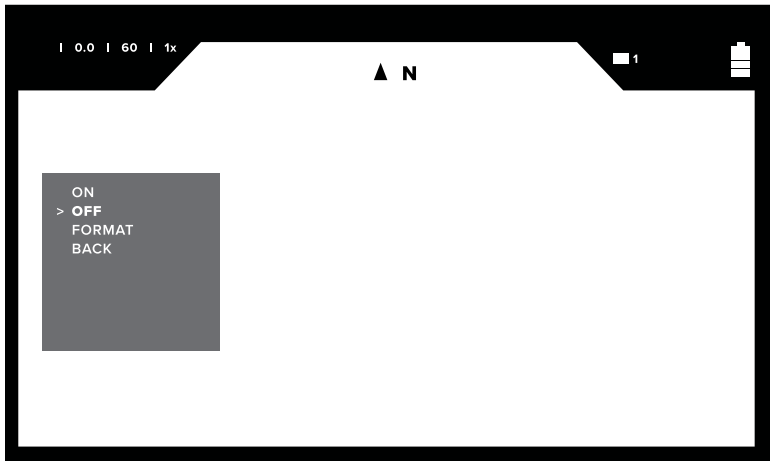
1. To return OPSIN to its factory settings, perform the following navigation:
Menu > Settings > Factory Reset
2. **NOTE:** If you press center button while the factory reset command is highlighted, a factory reset will be performed.

LOCATION

OPSIN is equipped with an internal GPS receiver, used to acquire the camera's position. The camera must be outdoor and away from large structures that may obstruct the satellite signal.

When the GPS feature is active, a set of coordinates will appear in the top left corner of the screen. If OPSIN has not acquired a satellite a series of dashed lines will appear in place of the coordinates.

1. To enable the GPS, perform the following navigation:
Menu > Location > GPS

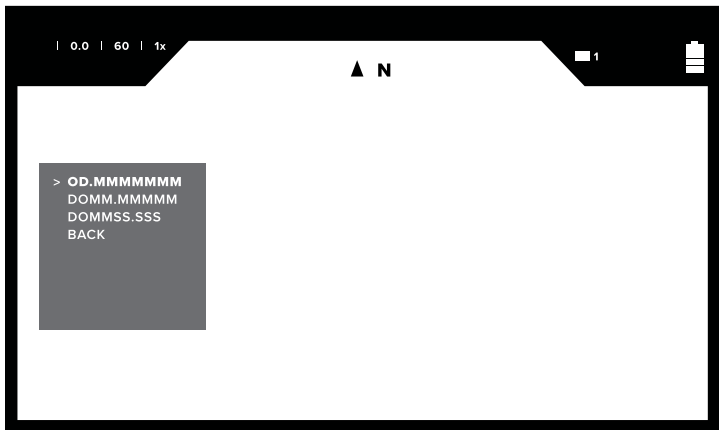


2. The default GPS setting is OFF. To turn the GPS ON:
3. Use the front/rear buttons to highlight ON.
4. Perform a short press of the center button.

- The GPS will turn on and a series of dashed lines will appear in the top left corner of the display. When a fix is achieved, the dashes will be replaced by the coordinates.



- The FORMAT sub-menu can be used to change the coordinate display format. To change the format, highlight the desired option and press the center button.



INFO

The Info submenu allows the user to view additional information about OPSIN (SW Version and Regulatory Information).

1. To set the INFO menu, perform the following navigation:
Menu > Settings > Info
2. To access OPSIN's SW version, navigate to VERSION and press the center button.
3. OPSIN's SW information will be displayed.



4. A short press of the center button will return to the INFO submenu.

- To access additional regulatory information, navigate to REGULATORY INFO and press the center button.
- Regulatory information will be displayed.



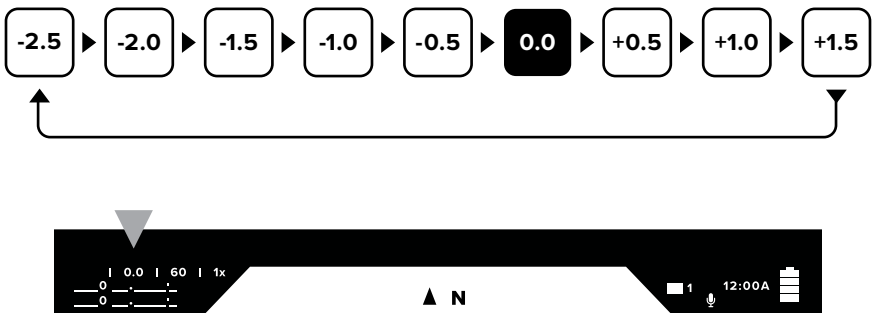
- A short press of the center button will return to the INFO submenu.

OPSIN BUTTON FUNCTIONS

Several of OPSIN's functions are accessible directly by using the buttons. These features are summarized in this section.

EXPOSURE VALUE (EV)

Performing a short press of the rear button will cycle through the EV setting. The default is 0.0. Each press of the rear button will increment the EV setting by 0.5.



DISPLAY REFRESH RATE

1. OPSIN can display the live camera image at 30, 60 or 90 frames per second (FPS). Using a higher frame rate reduces motion blur. Lower frame rates result in improved image quality and may be necessary in ultra low light situations. The default setting is 90 FPS.
2. To change the refresh rate, press and hold the rear button. Each subsequent press and hold of the button cycles through the available frame rate options.



ELECTRONIC ZOOM

1. A short press of the center button will change OPSIN's electronic zoom. The default setting is 1X.
2. Each press of the center button will cycle through OPSIN's zoom levels (1X, 2X, 3X)



IMAGE CAPTURE

1. A short press of the front button will capture and save an image to the micro-SD card. **NOTE:** A micro-SD card must be installed to capture an image.
2. A green camera icon will briefly be displayed in the upper right corner of the display and the number next to the micro-SD card icon will increment by one.
3. **NOTE:** Images can be captured while recording video by performing a short press on the front button.

VIDEO RECORDING

1. Performing a press and hold of the front button will start video recording. **NOTE:** A micro-SD card must be installed to record video.
2. The video recording icon will be displayed in the upper left corner of the display and the number next to the micro-SD card icon will increment by one.
3. To stop video recording perform another press and hold of the front button. **NOTE:** The size of video recordings will vary depending on factors such as camera settings and environmental factors. In extreme low light situations, recordings could take as much as 20GB/hour of video. To ensure that long recordings are captured without interruption SIONYX recommends using a 256GB micro-SD card. **NOTE:** For video recordings with large file sizes or that capture recordings for an extended period, the front button may need to be held for longer to stop the recording (up to a maximum of about 5 seconds).

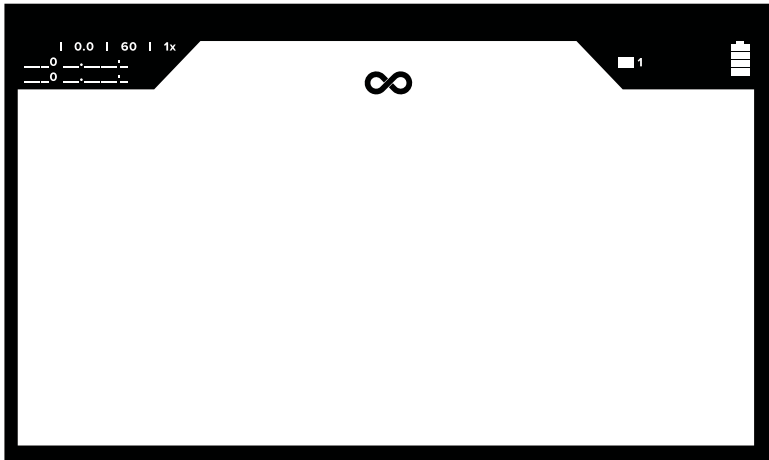
VIEWING IMAGES + VIDEOS

OPSIN is not equipped with playback capability. To view images/recorded videos, remove the micro-SD card. The SD card adapter included with OPSIN can be used to access the files on another device (e.g. PC). The files can be viewed, saved, or edited on the PC.

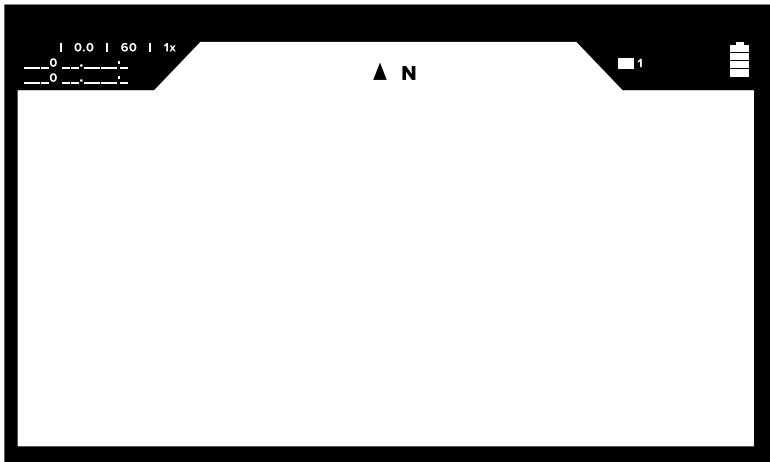
DIGITAL COMPASS

1. OPSIN has an electronic compass that provides navigation assist information.
2. The compass provides approximate heading information once it is properly calibrated. If OPSIN is powered, it will gather calibration information.

If OPSIN's compass requires calibration, an infinity sign will be shown in the top center of the display. To calibrate the compass move OPSIN in a figure 8 motion.



Once the compass has been calibrated, the compass heading will be displayed in the top center of the display.



HELMET INSTALLATION

ACCESSORIES TO ATTACH TO HELMET

1. Refer to **FIGURE 11**. Assemble an appropriate flip-style helmet mount if necessary. Cables must be routed correctly, to maximize performance and prolong cable life. **NOTE:** DO NOT BEND CABLES EXCESSIVELY.

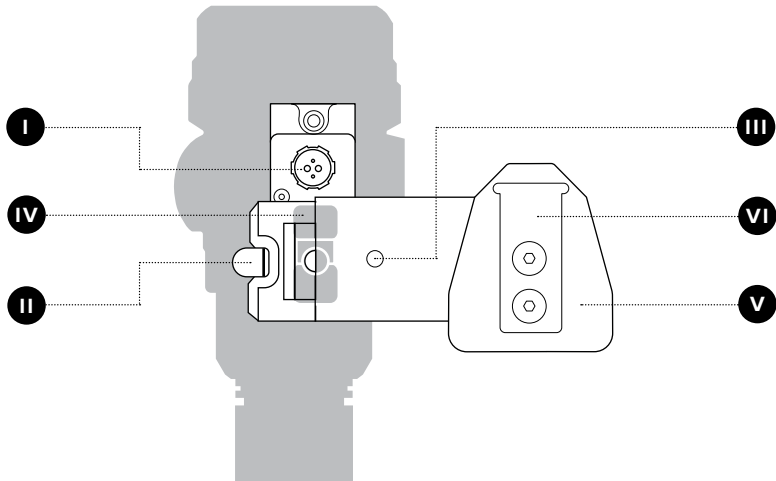


FIGURE 11:

I POWER CABLE CONNECTOR

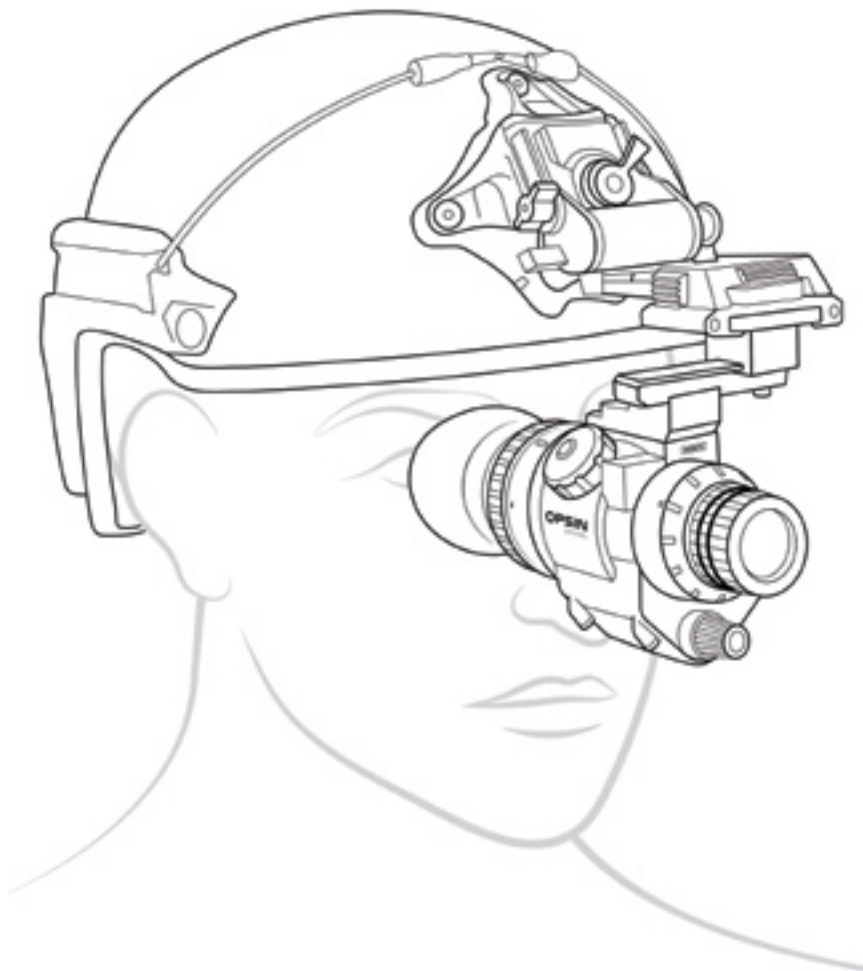
II QUICK RELEASE BUTTON

III ADJUSTMENT SCREW

IV MINI RAIL

V DOVETAIL

VI RHINO MOUNT (OPTIONAL)



ACCESSORIES TO ATTACH TO HELMET

1. Refer to **FIGURE 10**. Assemble an appropriate flip-style helmet mount if necessary. Cables must be routed correctly, to maximize performance and prolong cable life. **NOTE: DO NOT BEND CABLES EXCESSIVELY.**
2. Align mini rail receiver of swing arm to mini rail on OPSIN and slide straight back until locking arm clicks into place (see **FIGURE 11**).
3. Adjust interpupillary distance as needed (see **FIGURE 12**) by loosening the adjustment screw, and sliding the swing arm towards or away from the mid-line of the camera. When the camera is positioned in front of one or other eye correctly, tighten the adjustment screw.
4. The swing arm and dovetail are reversible for left and right eye operation.
5. To remove swing arm from OPSIN, press the quick release button and slide swing arm out.
6. OPSIN includes 1.5mm and 2.5mm Allen wrenches for adjustments.

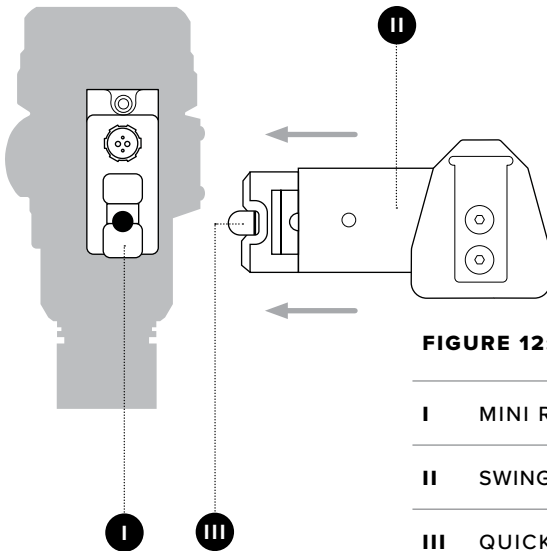


FIGURE 12:

I MINI RAIL

II SWING ARM

III QUICK RELEASE BUTTON

SAFETY

IMPORTANT PRODUCT AND SAFETY INSTRUCTIONS

The use of this product is an acknowledgment and agreement to all the product instruction, safety warnings, private policy and other pertaining documentation outlined or reference in this document.

THIS DOCUMENT CONTAINS IMPORTANT SAFETY AND HEALTH INFORMATION THAT MUST BE READ BEFORE USE.

WARNING

Failure to properly set up, use, and care for this product can increase the risk of serious injury, death, property damage, or damage to the product or related accessories. Exercise caution when using a SIONYX product as part of your active lifestyle. Always be aware of your surroundings to avoid injury to yourself and others.

1. Product shall be used in accordance with all manufacturing instruction and limits.
2. Read all provided documentation, and keep it for future reference.
3. Follow all instructions and heed all warnings.
4. Properly install, use, and maintain all power and data cable as per manufacturing specification.
5. Only use attachments and accessories specified and/or approved by SIONYX.
6. SIONYX OPSIN is designed to be serviced only by qualified service personnel. Visit SIONYX.com for more information.

Hereby, SIONYX, LLC declares that the radio equipment type SIONYX OPSIN is in compliance with Directive 2014/53/EU. Visit www.sionyx.com/support for full documentation and company contact information.

The SIONYX OPSIN camera transmits at 2.412 GHz – 2.472 GHz. The maximum power transmitted in this frequency band is EIRP 15.83 mW. Country specific rules and regulations can prevent or limit the use of some or all the listed frequency bands and power level.

WARNING

Failure to take the following precautions can result in serious injury or death from electric shock, fire, or damage to your SIONYX camera or powered accessories:

- Do not drop, disassemble, open, crush, bend, deform, puncture, shred, microwave, incinerate or paint the camera or powered accessories.
- Do not insert foreign objects into any opening on the camera.
- Do not use the camera if it has been damaged—for example, if cracked, punctured or harmed by water.
- Do not dry the camera with an external heat source such as a microwave oven or hair dryer.
- Do not place naked flame sources, such as lighted candles, on or near the product.
- Should the glass lens cover break, care should be taken to avoid injury.
- Keep out of reach of children.
- Contact SIONYX Customer Support at www.sionyx.com/support

CAMERA TEMPERATURE

Extreme low or high temperature conditions may temporarily prevent the camera working properly if the camera's internal high temperature limit is exceeded. The temperature icon may appear when the camera exterior reaches a temperature which is considered unsafe. Turn off the camera to allow it to cool down before continuing use.

PRIVACY + SAFE USE

Abide by all local laws and safety requirements when using your SIONYX OPSIN and related mounts and accessories, including all privacy laws, which may restrict recording in certain areas.

ACCESSING ADDITIONAL REGULATORY INFORMATION

1. Additional regulatory information is stored in the camera system and can be displayed by using the camera settings menu.
2. The information is reached by selecting "Info" and then "Regulation" from the camera settings menu.



2AU49-DA16600MC



25650-DA16600MC



CAN ISED-003(B)
NMB-003(B)



This device complies with part 15 of the FCC Rules. Operation is subject to the following two conditions: (1) This device may not cause harmful interference, and (2) this device must accept any interference received, including interference that may cause undesired operation.

BATTERY SAFETY

- Use caution as misusing or mishandling the battery may cause a FIRE or EXPLOSION which may result in personal injury, property damage, or death. The user must have an appropriate understanding of the potential dangers of LITHIUM ION BATTERIES before purchase and usage.
- BATTERY IS ONLY FOR USE IN PROTECTED BATTERY PACKS.
- WHEN NOT IN USE, ALWAYS STORE LITHIUM ION BATTERIES IN THE PROTECTIVE CASE/BOX IN WHICH BATTERIES WERE DELIVERED.
- Misusing or mishandling lithium ion batteries can pose a SERIOUS RISK of PERSONAL INJURY, PROPERTY DAMAGE, OR DEATH.
- BATTERIES MAY EXPLODE, BURN, OR CAUSE A FIRE IF MISUSED OR MISHANDLED.
- Usage of batteries is AT YOUR OWN RISK!
- DO NOT intentionally short circuit.
- KEEP AWAY from metal/conductive objects to prevent short circuiting.
- DO NOT use if PVC wrapper or terminal insulator is damaged or torn.
- DO NOT use if battery is damaged in any way.
- DO NOT over-charge or charge above the maximum voltage rating.
- DO NOT over-discharge or exceed the continuous discharge rating.
- DO NOT modify, disassemble, puncture, cut, crush, or incinerate.
- DO NOT expose to liquids or high temperatures.
- DO NOT solder onto battery.
- DO NOT use force to install or install in reverse/backwards.
- ONLY use within manufacturer's specification.
- KEEP AWAY from pets and children.

- ALWAYS charge in or on a fire-proof surface and never leave batteries charging unattended. ONLY use a smart charger designed for this specific type of battery.
- STOP immediately if while charging/storing/using the battery it emits an unusual smell, feels hot, changes color or shape, or appears abnormal in any way.
- It is your responsibility to determine that your charger or device is functioning properly.

IMPORTANT NOTE

LOCATION OF ADDITIONAL REGULATORY INFORMATION

FCC RADIATION EXPOSURE STATEMENT:

This equipment complies with FCC radiation exposure limits set forth for an uncontrolled environment. End users must follow the specific operating instructions for satisfying RF exposure compliance. This transmitter must not be co-located or operating in conjunction with any other antenna or transmitter.

This equipment has been tested and found to comply with the limits for a Class B digital device, pursuant to part 15 of the FCC Rules. These limits are designed to provide reasonable protection against harmful interference in a residential installation.

This equipment generates, uses, and can radiate radio frequency energy and, if not installed and used in accordance with the instructions, may cause harmful interference to radio communications. However, there is no guarantee that interference will not occur in a particular installation. If this equipment does cause harmful interference to radio or television reception, which can be determined by turning the equipment off and on, the user is encouraged to try to correct the interference by one or more of the following measures:

- Reorient or relocate the receiving antenna.
- Increase the separation between the equipment and the receiver.

The provided power cables must be used with this unit to ensure compliance with the class B FCC limits.

IC REGULATIONS

This device complies with Industry Canada license-exempt RSS standards. Operation is subject to the following two conditions: (1) This device may not cause interference and; (2) This device must accept any interference—including interference that may cause undesired operation of the device. This Class B digital apparatus complies with Canadian ICES-003.

RF EXPOSURE WARNING

The equipment complies with RF exposure limits set forth for an uncontrolled environment. The antenna(s) used for this transmitter must not be co-located or operating in conjunction with any other antenna or transmitter.

SAFETY CONTINUED

FCC RF RADIATION EXPOSURE STATEMENT:

1. This Transmitter must not be co-located or operating in conjunction with any other antenna or transmitter.
2. The available scientific evidence does not show that any health problems are associated with using low power wireless devices. There is no proof, however, that these low power wireless devices are absolutely safe. Low power Wireless devices emit low levels of radio frequency energy (RF) in the microwave range while being used. Whereas high levels of RF can produce health effects (by heating tissue), exposure of low-level RF that does not produce heating effects causes no known adverse health effects.
3. Many studies of low-level RF exposures have not found any biological effects. Some studies have suggested that some biological effects might occur, but such findings have not been confirmed by additional research.
4. OPSIN has been tested and found to comply with FCC radiation exposure limits set forth for an uncontrolled environment and meets the FCC radio frequency (RF) Exposure Guidelines.

FCC RF RADIATION EXPOSURE STATEMENT:

This device has been designed and manufactured to comply with the limits for exposure to RF energy set by the Federal Communications Commission (FCC) of the United States, Industry Canada (IC) and the European Union and other countries. The exposure standards for wireless devices employ a unit of measurement known as the Specific Absorption Rate, or SAR. The SAR limit set by the FCC/IC is 1.6W/kg averaged over 1 gram of tissue. The SAR limit recommended by The Council of the European Union is 2.0W/kg averaged over any 10 grams of tissue.

The FCC and IC have granted an Equipment Authorization for this device with all reported SAR levels evaluated as in compliance with the FCC and IC RF exposure guidelines. SAR information on this device is on file with the FCC and IC and can be found under the Display Grant section of www.fcc.gov/oet/ea/fccid after searching on FCC ID: 2AOI7-CDV18A and under the Industry Canada Radio Equipment List database <http://www.ic.gc.ca/app/sitt/reltel/srch/nwRdSrch.do?lang=eng> after searching Certification Number 23556-CDV18A.

This device is in compliance with SAR for general population/uncontrolled exposure limits in ANSI/IEEE C95.1-1999 and has been tested in accordance with the measurement methods and procedures specified in OET Bulletin 65 Supplement C.

IMPORTANT NOTE

WARNING

Changes or modifications to this unit not expressly approved by the party responsible for compliance could void the user's authority to operate the equipment.

SAFETY CONTINUED

DISPOSAL

Electronics donation and recycling is a great way to help conserve resources and natural materials. It is important to make sure you are donating and/or recycling electronics safely and correctly.

The Waste Electrical and Electronic Equipment (WEEE) Directive requires the recycling of waste electrical and electronic equipment which contains materials, components and substances that may be hazardous and present a risk to human health and the environment when WEEE is not handled correctly.

Equipment marked with the crossed-out wheeled bin symbol indicates that the equipment should not be disposed of in unsorted household waste.

Local authorities in many regions have established collection schemes under which residents can dispose of waste electrical and electronic equipment at a recycling center or other collection point

SAFETY CONTINUED

MAINTENANCE

The camera housing and lens will require occasional cleaning. You should clean the lens when image quality degradation is noticed or excessive contaminant build up is seen.

- Do NOT wipe the lens window with a dry cloth, or with abrasive materials such as paper or scrub brushes, as this could scratch the coating.
- Do NOT use acid or ammonia based products.
- Do NOT pressure wash.

Particular care should be taken when cleaning the lens window, this has a protective anti-reflective coating which may be damaged by improper cleaning.

1. Switch off the power to the unit.
2. Clean the camera body with a clean, soft cotton cloth. You can moisten the cloth and use a mild detergent if required.
3. Clean the camera lens.

ADDITIONAL RESOURCES

WARRANTY

Click here for full product warranty or visit:
sionyx.com/pages/warranty

ADDITIONAL RESOURCES & SUPPORT

Click here for additional resources and support:
sionyx.com/support

FOLLOW US

Share your SIONYX content and be sure to tag us!



NEED HELP?

ONLINE CHAT sionyx.com

SUBMIT A TICKET sionyx.com/contact

24/7 SUPPORT sionyx.com/support

CALL OR TEXT (866) 827-8237

Register your device and stay up to date by visiting the URL or scanning the QR code below.





100 Cummings Center
Beverly, MA 01915