



SIDE-POWER
Thruster Systems

8950/8955/8960/8965
8940/8909C

Control panel
v1.0.1

Keep this
manual onboard !

- EN** Installation and user's manual
- NO** Installasjon og brukermanual
- DE** Installationsanleitung



SLEIPNER MOTOR AS

P.O. Box 519
N-1612 Fredrikstad
Norway
Tel: +47 69 30 00 60
Fax: +47 69 30 00 70



www.side-power.com
sidepower@sleipner.no

Made in Norway

Content

Product Features	3
Cut-out dimensions	3
Installation	4
Visual wiring diagram.....	6
General use	8

IMPORTANT!

This panel will only work with Sidepower electric thrusters with a built in electronic control box and a 4/5 lead control cable system. These panels are waterproof from the front end when correctly installed. However, you must ensure that they can never be submerged in water as this might cause a shortcircuit and thereby causing the thruster to start unintendedly.

VIKTIG!

Dette kontrollpanelet fungerer bare med Sidepower elektriske truster med integrert elektronisk kontrollboks og 4/5 leders kontrollkabel system. Disse panelene er vantette fra fronten når de er korrekt installert. Men, de må aldri stå slik att de er under vann da dette kan gi en kortslutning som kan føre til selvstarting av trusteren.

WICHTIG!

Das Panel funktioniert nur mit elektrischen Sidepower Systemen mit integrierter elektronischer Kontrolleinheit und einem Kabelstrang mit 4/5 Leitungen, und ist bei korrektem Einbau an der Vorderseite wasserdicht. Trotzdem muß sichergestellt sein, daß das Panel nicht unter Wasser kommt, da dies zu einem Kurzschluß führen kann. Hierdurch kann es zu einem unbeabsichtigten Start des Thrusters kommen.

DECLARATION OF CONFORMITY



We, Sleipner Motor AS
P.O. Box 519
N-1612 Fredrikstad, Norway

declare that this product with accompanying standard remote control systems complies with the essential health and safety requirements according to the Directive 89/336/EEC of 23 May 1989 amended by 92/31/EEC and 93/68/EEC.

Product features



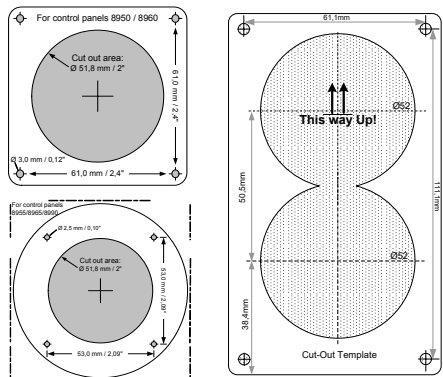
Ref:	Pcs.	Parts	Deler	Teile
1	1	Control panel	Kontrolpanel	Steuerpanel
2	1	Gasket	Pakning	Dichtung
3	4	Screws (A4)	Skruer (A4)	Schraube (A4)
4	4	Corner clips	Hjørneklips	Eckstück
4b	1	Front ring	Frontring	Blendenring

Cut-out dimensions

IMPORTANT!
Use only attached template!

WICHTIG!
Verwenden Sie nur beigefügten Vorlage!

VIKTIG!
Bare bruk vedlagt utskjæringsmal!



EN Installation

Find a comfortable position for the panel where it does not obstruct or are obstructed by other controls. Use the enclosed cut-out pattern to mark the area. Cut out the circular area as shown on pattern.

If the front surface around your cut out is jagged or chipped, use a sealant to assist the gasket.

- A Put the gasket (2) in its designated track in the back face of the panel (1)
- B Plug the S-link Spur cable into the connector at the rear of panel.
Twist the locking ring on the connector clockwise to secure connector.
- C Put the panel (1) in place and screw in and tighten the four screws (3)
- D Press gently each of the four corner clips (4) into their corner slot

Note! If the thruster runs the opposite way of the panel, swap positions of the grey and the blue control cables in one contact, either by the thruster or by the panel.

NO Installasjon

Finn en god posisjon for panelet hvor det er lett tilgjengelig og ikke blokkerer andre kontroll enheter. Bruk den medsendte malen til å merke av området, og skjær ut det merkede området.

Dersom kantene rundt utskjæringen blir skadet/ujevne på fremsiden må det benyttes en tetningsmasse sammen med pakningen for å sikre god tetning.

- A Sett inn pakningen (2) i sporet på baksiden av panelet (1).
- B Koble kontakten sammen med kontroll kablen fra trusteren.
- C Koble kontroll signalet til Sidepower automatisk hovedstrømsbryter dersom installert.
- D Sett panelet (1) inn og skru inn de fire skruene (3).
- E Press forsiktig inn hver av de fire hjørne klipsene (4) i hvert sitt hjørne.

NB! Dersom trusteren skulle gå motsatt vei av panelet, bytt plassering på den grå og den blå kontroll ledning i en kontakt, enten ved trusteren eller ved panelet.



Installation

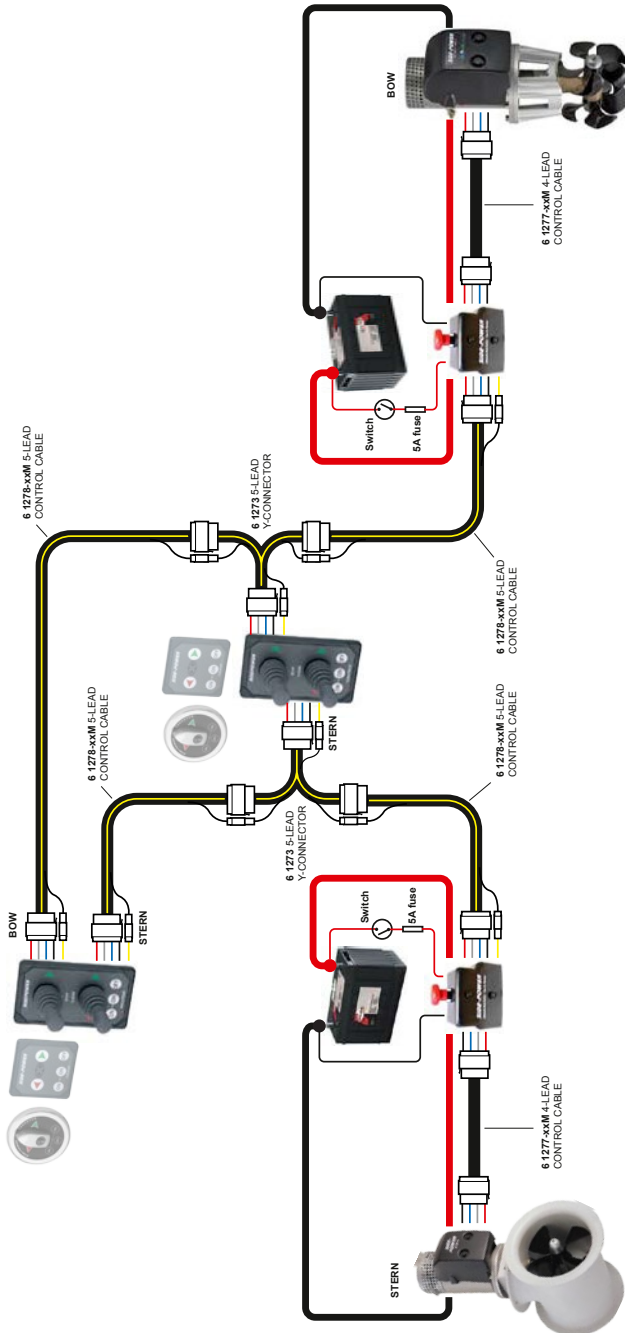
Für das Panel eine geeignete Position finden; diese Position muß gut zugänglich sein. Das Panel darf nicht von anderen Teilen blockiert werden. Benutzen Sie die beiliegende Schablone und schneiden Sie das Loch entsprechend der Vorlage aus.

Sollte die Schnittkante beschädigt oder uneben sein, bitte zusätzlich zur Dichtung noch Dichtmasse verwenden.

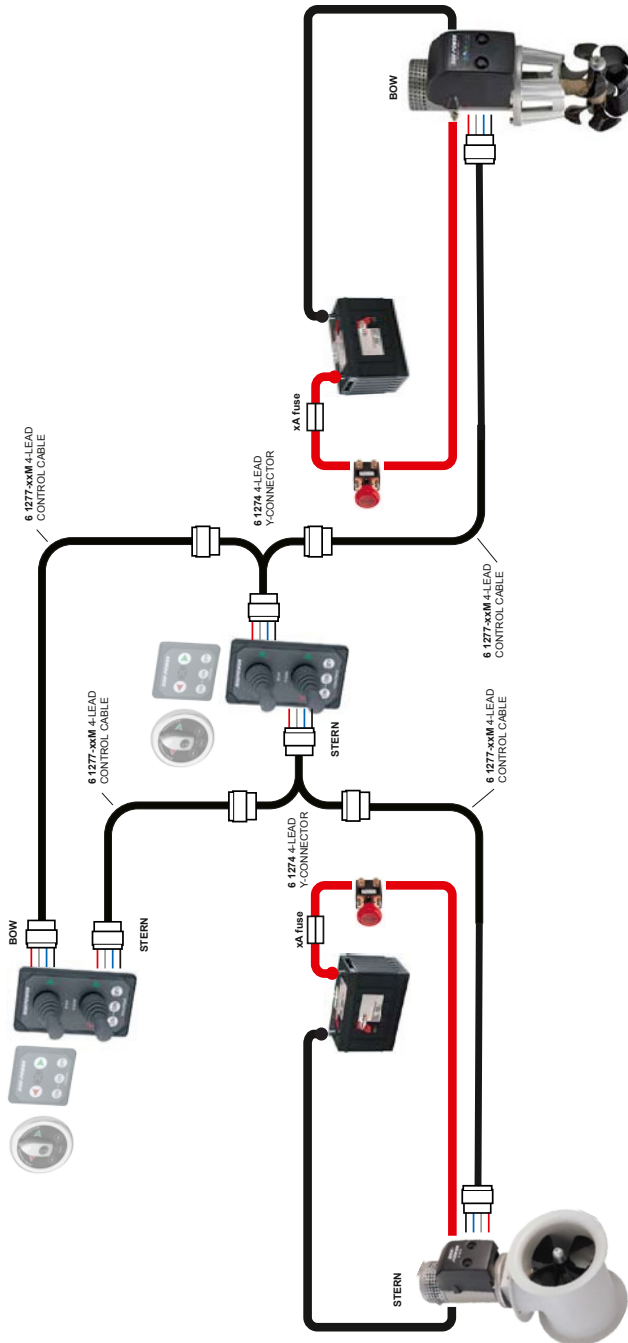
- A Die Dichtung (2) in die dafür vorgesehene Vertiefung in der Rückseite des Panels einlegen (1).
- B Den Stecker des Panels mit dem vom Sidepower kommenden Kontrollkabel verbinden.
- C Falls ein automatischer Hauptschalter installiert ist (optional), diesen mit dem Stecker des Panels verbinden.
- D Das Panel einsetzen (1) und die vier Schrauben eindrehen (3).
- E Die vier Eckstücke (4) vorsichtig einsetzen und festpressen.

Achtung! Sollte der Sidepower entgegengesetzt zur Panelvorgabe laufen, so sind das graue und das blaue Kabel gegeneinander zu vertauschen; entweder am Sidepower oder am Panel.


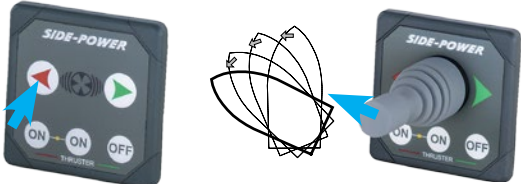

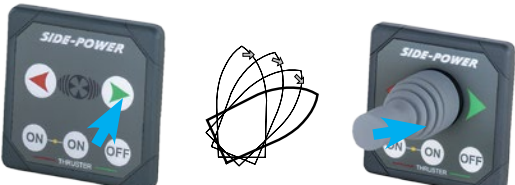

Visual wiring diagram



Visual wiring diagram (without Automatic Main Switch)



General use

<p>To turn panel ON</p>  <p>A SIDE-POWER panel with three buttons: a red left arrow, a green right arrow, and a central stop button. Below these are three buttons labeled 'ON', 'ON', and 'OFF'. Two blue arrows point to the first two 'ON' buttons.</p>	<p>Turn boat to port</p>  <p>A SIDE-POWER panel with the red left arrow button highlighted by a blue arrow. To the right is a diagram of a boat with a curved arrow indicating a turn to the left (port).</p>
<p>To turn panel OFF</p>  <p>A SIDE-POWER panel with the 'OFF' button highlighted by a blue arrow.</p>	<p>Turn boat to starboard</p>  <p>A SIDE-POWER panel with the green right arrow button highlighted by a blue arrow. To the right is a diagram of a boat with a curved arrow indicating a turn to the right (starboard).</p>
<p>Bow+Stern Thruster</p>  <p>A vertical panel with two knobs labeled 'BOW' and 'STERN'. Below the knobs are three buttons labeled 'ON', 'ON', and 'OFF'. To the right are two diagrams of a boat: the top one shows the bow thruster's effect with curved arrows, and the bottom one shows the stern thruster's effect with curved arrows.</p>	

How to use Sidepower thrusters

1. Turn main power switch for the bowthruster on. (Always turn off the main power switch when not onboard.)
2. Please take some time to exercise thruster usage in open water to avoid damages to your boat.
3. Turn the control panel on by pushing both "ON" buttons on the original Sidepower panel simultaneously. If another type of control is installed, engage the On/Off switch for the bowthruster.
4. Turn the bow in the desired direction by pushing the red button for port movement or the green button for starboard movement. If you have a joystick control, move it in the direction you wish the bow to move. Other controls like footswitches or toggle-switches on the throttle can be used. These are normally logically installed, so by engaging the port control, the bow goes port etc. In case of any doubts, try in open waters first.
5. Depending on the sideways speed of the bow, you must disengage the control device shortly before the bow is in the desired direction, as the boat will continue to move after stopping the bowthruster.

How to use a single stern thruster

Some boats might however have installed a single stern thruster because of space limitation in the bow. In this case the stern thruster is used in the same way as a single bow thruster (see above) for moving the boat's stern.

How to use a bow and stern thruster combined

The combination of a bow and stern thruster offers total manoeuvrability to the boat and the opportunity to move the bow and the stern separately from each other. This enables you to move the boat sideways in both directions and to turn the boat around its own axis staying at the same place.

- Again, if in doubt, try in open water first!
- If original Sidepower panel is used, the panel shuts off automatically approx 6-9 minutes after last use.

Hvordan bruke Sidepower thruster

1. Skru på hovedstrømmen (skru alltid av hovedstrømmen når du ikke er om bord i båten).
2. Det er fordel om de prøver baugthrusteren på åpent vann den første gangen.
3. Skru på kontrollpanelet ved å trykke inn begge "on" knappene på Sidepower panelet. Hvis annet en originalt panel brukes må dette skrues på.
4. Snu baugen i ønsket retning ved å trykke rød knapp for babord, og grønn knapp for styrbord. Hvis du har joystickpanel så må stikka dyttes i den retning baugen skal vendes. Andre kontrollenheter som fotbrytere, eller brytere på gass hendel kan også brukes. Disse er vanligvis logisk installert og lette og operere. Ved tvil lønner det seg og prøve på åpent vann først.
5. Avhengig av hvor stor fart baugen får sideveis må thrusteren stoppes før baugen er i riktig posisjon, dette fordi baugen vil fortsette sideveis litt etter thrusteren skruses av.

Hvordan bruke en enkel hekkthruster

Enkelte båter vil av plassmessige, eller andre hensyn bare installere en hekkthruster. I disse tilfeller brukes hekkthrusteren på samme måte som baugthrusteren.

Hvordan bruke hekk og baugthruster kombinert

Kombinasjonen av baug og hekkthruster gir en total kontroll over båtens bevegelser p.g.a. muligheten til å bevege hakken og baugen uavhengig av hverandre. Båten kan skyves sidelengs og dreies rundt sin egen akse.

- Det er også her fordel å prøve ut systemet på åpent vann.
- Om originalt Side-Power panel blir brukt så vil dette slås av automatisk etter ca. 6-9 minutter etter siste gang thrusteren ble brukt.

1. Die Bugschraube über deren Hauptschalter einschalten. Den Hauptschalter immer ausschalten, wenn niemand an Bord ist.
2. Nehmen Sie sich etwas Zeit, um sich auf offenem Gewässer mit der Steuerung der Bugschraube vertraut zu machen.
3. Original Sidepower Panels durch gleichzeitiges Drücken der "ON" Knöpfe einschalten. Falls ein anderes Panel verwendet wird, den On/Off Schalter für die Bugschraube einschalten.
4. Den Bug in die gewünschte Richtung bewegen; rot / Backbord Knopf für Richtung Backbord, grün / Steuerbord Knopf für Richtung Steuerbord. Bei Verwendung eines Joystick Panels, dieses in die gewünschte Richtung bewegen. Kontrollpanels wie Fuß- und Kippschalter können ebenfalls verwendet werden. Diese sind normalerweise logisch installiert, d.h. der Bug folgt der entsprechenden Panelvorgabe. Bei Unklarheit, zunächst auf offenem Gewässer ausprobieren.
5. Abhängig von der Geschwindigkeit, mit der sich der Bug seitwärts bewegt, muß die Steuerung bereits vor Erreichen des Endpunktes aufhören, da sich der Bug noch etwas in die entsprechende Richtung "nachbewegt".

Benutzung einer Heckschraube

Einige Schiffe haben aufgrund von Platzmangel im Bug stattdessen eine Heckschraube installiert. In diesem Fall ist die Heckschraube wie eine Bugschraube (siehe oben) zu verwenden, um das Heck zu bewegen.

Gemeinsame Benutzung von Bug- und Heckschraube

Die Kombination von Bug- und Heckschraube bietet die unabhängige Manövrierbarkeit von Bug und Heck. Dies eröffnet die Möglichkeit, das Boot seitwärts in beiden Richtungen oder auf der Stelle um die eigene Achse zu bewegen.

- Bei Unklarheit, zunächst auf offenem Gewässer ausprobieren.
- Nach der letzten Benutzung schaltet das Original Side-Power Panel automatisch nach ca. 6-9 Minuten ab.

Warranty Statement

1. The equipment manufactured by Sleipner Motor AS (The "Warrantor") is warranted to be free from defects in workmanship and materials under normal use and service.
2. This Warranty is in effect for of two years (Leisure Use) or one year (Commercial use) from the date of purchase by the user. Proof of purchase must be included, to establish that it is inside the warranty period.
3. This Warranty is transferable and covers the product for the specified time period.
4. In case any part of the equipment proves to be defective, other than those parts excluded in paragraph 5 below, the owner should do the following:
 - (a) Prepare a detailed written statement of the nature and circumstances of the defect, to the best of the Owner's knowledge, including the date of purchase, the place of purchase, the name and address of the installer, and the Purchaser's name, address and telephone number;
 - (b) The Owner should return the defective part or unit along with the statement referenced in the preceding paragraph to the warrantor, Sleipner Motor AS or an authorized Service Centre, postage/shipping prepaid and at the expense of the Purchaser;
 - (c) If upon the Warrantor's or Authorized Service Centre's examination, the defect is determined to result from defective material or workmanship, the equipment will be repaired or replaced at the Warrantor's option without charge, and returned to the Purchaser at the Warrantor's expense;
 - (d) no refund of the purchase price will be granted to the Purchaser, unless the Warrantor is unable to remedy the defect after having a reasonable number of opportunities to do so. Prior to refund of the purchase price, Purchaser must submit a statement in writing from a professional boating equipment supplier that the installation instructions of the Installation and Operation Manual have been complied with and that the defect remains;
 - (e) warranty service shall be performed only by the Warrantor, or an authorized Service Centre, and any attempt to remedy the defect by anyone else shall render this warranty void.
5. There shall be no warranty for defects or damages caused by faulty installation or hook-up, abuse or misuse of the equipment including exposure to excessive heat, salt or fresh water spray, or water immersion except for equipment specifically designed as waterproof.
6. No other express warranty is hereby given and there are no warranties which extend beyond those described in section 4 above. This Warranty is expressly in lieu of any other expressed or implied warranties, including any implied warranty of merchantability, fitness for the ordinary purposes for which such goods are used, or fitness for a particular purpose, and any other obligations on the part of the Warrantor or its employees and representatives.
7. There shall be no responsibility or liability whatsoever on the part of the Warrantor or its employees and representatives for injury to any person or persons, or damage to property, loss of income or profit, or any other consequential or resulting damage or cost which may be claimed to have been incurred through the use or sale of the equipment, including any possible failure or malfunction of the equipment, or part thereof.
8. The Warrantor assumes no liability for incidental or consequential damages of any kind including damages arising from collision with other vessels or objects.
9. This warranty gives you specific legal rights, and you may also have other rights which vary from country to country.

Worldwide sales and service



www.side-power.com



SLEIPNER MOTOR AS P.O. Box 519 N-1612 Fredrikstad Norway
Tel: +47 69 30 00 60 Fax: +47 69 30 00 70 www.side-power.com sidepower@sleipner.no

The information given in the document was correct at the time it was published. However, Sleipner Motor AS can not accept liability for any inaccuracies or omissions it may contain. Continuous product improvement may change the product specifications without notice. Therefore, Sleipner Motor AS can not accept liability for any possible differences between product and document.