

RBX™**RBX-115 Hub Kit**

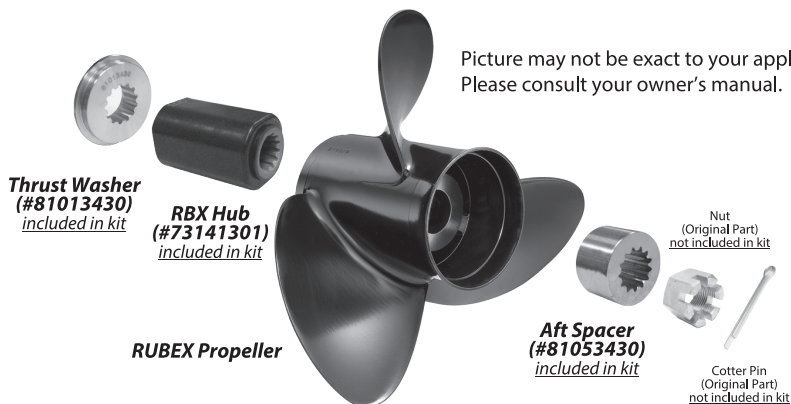
Rubex Interchangeable Hub System Installation Instructions

WARNING:

Always shift engine into the neutral position and turn ignition off. Remove spark plug leads or ignition coil lead before servicing the propeller.

It is very important to refer to your Engine's Owner Manual for important safety precautions when installing the propeller. Use the original propeller hardware thrust washer, spacer, locking tab, nut, and cotter pin depending on engine/drive manufacturer. This is a SUZUKI/Evinrude/Johnson/BRP installation instruction.

- 1) Put the Thrust Washer (#81013430) on propeller shaft just as it came off. The taper on the Thrust Washer (#81013430) should mate properly with the taper on the propeller shaft.
- 2) Put the Rubex RBX Hub (#73141301) into the rear of the propeller's hub cavity (boat side). The splines on the Rubex RBX Hub (#73141301) should face towards the front of the propeller (tips of the blades). The Rubex RBX Hub (#73141301) should slide $\frac{3}{4}$ or more into propeller hub cavity or it may be backwards.
- 3) Press or tap gently the Rubex RBX Hub (#73141301) so the propeller hub is flush with the hub cavity.
- 4) Grease the propeller shaft.
- 5) Slide the propeller assembly onto the propeller shaft.
- 6) Install Aft Spacer (#81053430) if required. Consult your engine/drive manual.
- 7) Install the shaft nut. Consult your engine/drive manual for proper torque.
- 8) Install the cotter pin. Consult your engine/drive manual for proper torque.

**RBX-115 APPLICATIONS:****Suzuki**

DT 35C 1987-89, DT 40 1983-98, DF 40 & DF 50 (4-Stroke) 1999-10, DF 40A & DF 50A (4-Stroke) 2011 & Newer, DT 50 & 50M 1983-84, DT 55 1985-97, DT 60 1983-84, DF 60A (4-Stroke) 2010 & Newer, DT 65 1985-97; 13 tooth spline 3-1/4" Gearcase

Evinrude/Johnson/BRP

40 & 50 HP (4-Stroke) 1999-05; 13 tooth spline 3-1/4" Gearcase

Suzuki is a registered trademark of the Suzuki Motor Corp.

Evinrude/Johnson/BRP are registered trademarks of the Bombardier Recreational Products Inc.