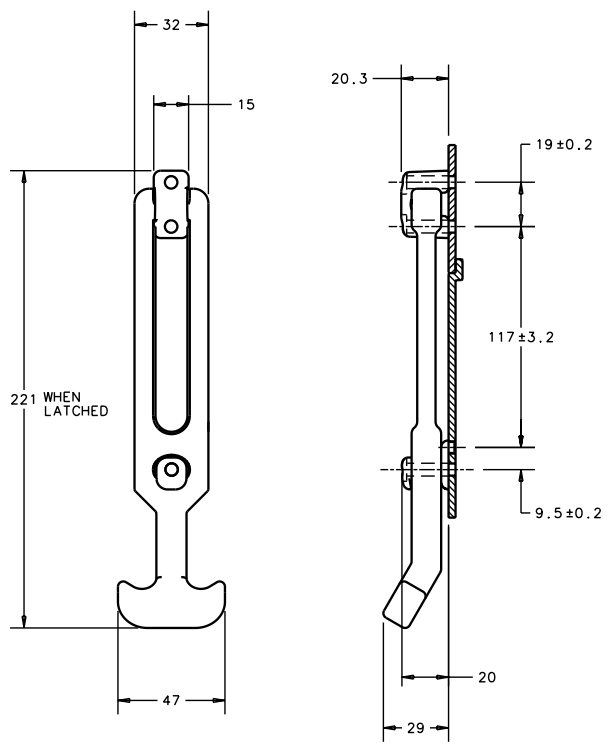
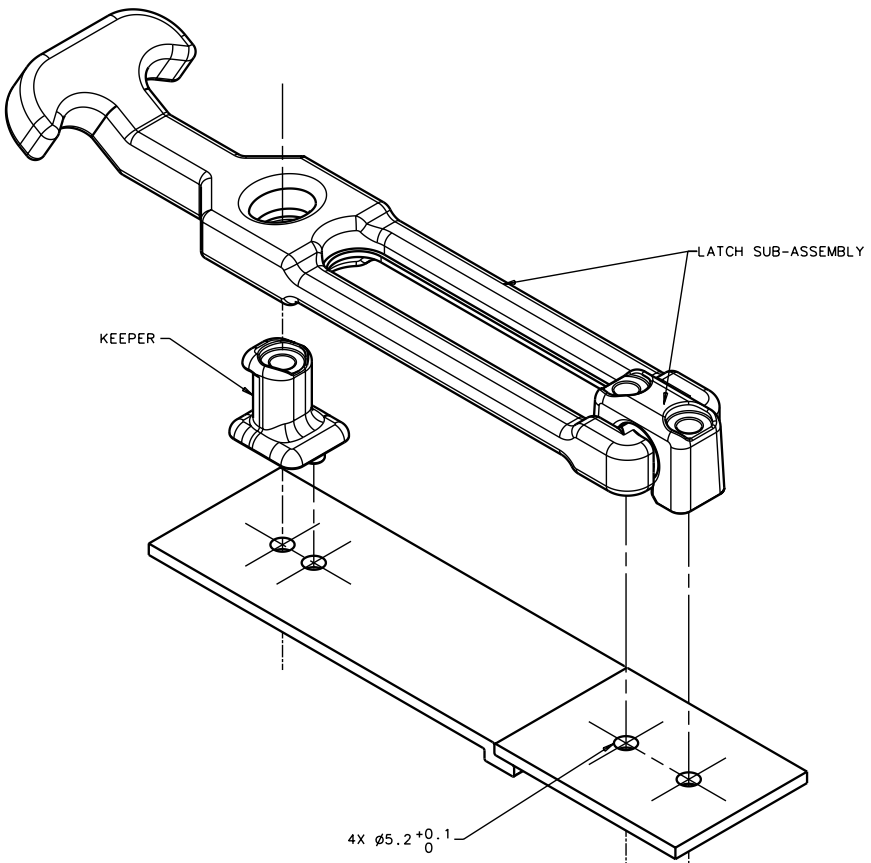


REV	DATE	DRWNG/CHKD	DESCRIPTION	PART NUMBER
A	04MAY93	ALC	PRN: S-1-03	F7-73
B	10NOV94	MSB	PRN: F7-30	
C	19OCT2002	AJH/DLH	PRN: P2002-0790	

F7 FLEXIBLE DRAW LATCH - CONCEALED MOUNTING (FRONT MOUNTED)

DRAWING NUMBER	SCALE	DATE	DRWNG/CHKD
J-F7-73	1:1	8/21/91	JAD

MILLIMETERS  
 ALL DIMENSIONS WITHOUT TOLERANCES ARE FOR REFERENCE ONLY.  
 THIRD ANGLE PROJECTION  
 A3 PAPER SIZE



INSTALLED VIEWS  
 (SCALE .5:1)

- NOTES:
- LATCH ASSEMBLY CONSISTS OF:  
 SUB-ASSEMBLY:  
 HANDLE - TPE, BLACK  
 BRACKET - G.R. NYLON, BLACK.  
 KEEPER - G.R. NYLON, BLACK  
 SCREWS (3) - 18-8 STAINLESS, PASSIVATED
  - LATCH SUB-ASSEMBLY, KEEPER, AND SCREWS SHIPPED SEPARATELY, BULK. FOR LATCHES PACKAGED ONE PER BAG, ADD -P TO PART NUMBER.
  - MOUNT USING (3) No. 10/M5 SCREWS OR 3/16 - 5mm RIVETS (NOT SUPPLIED).