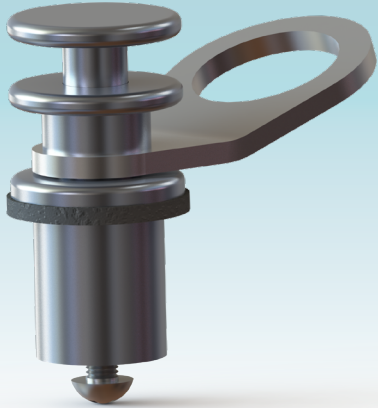




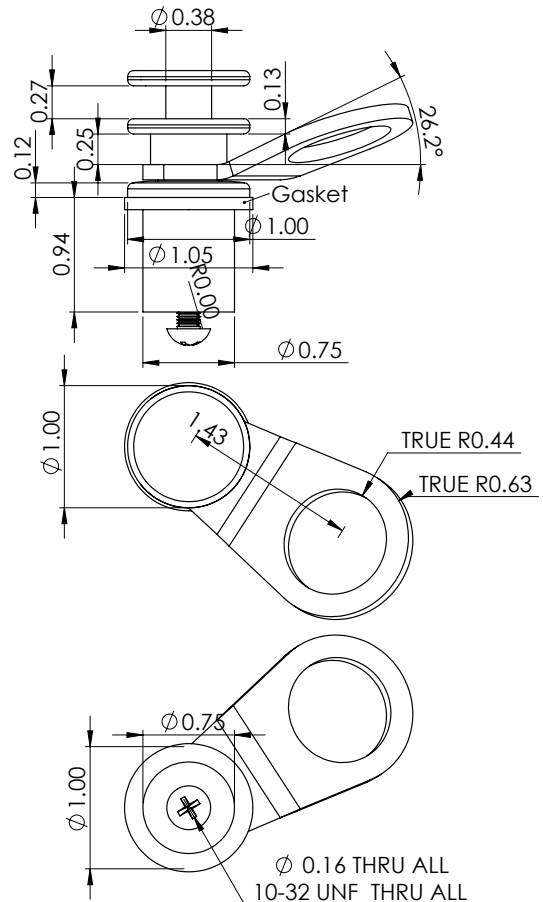
## ALUMINUM QUICK RELEASE FENDER LOCK



Introducing the Aluminum Quick Release Fender Lock for pontoons – a fantastic addition that makes setting fenders fast and easy. Designed for square tube, simply set your fender line to your preferred length, attach to the fender lock and insert into to the fitting. When you're ready to set off, simply push the button, remove the pin and stow.

### FEATURES & BENEFITS

- Manufactured from 6000-series Aluminum
- Designed for pontoon boats
- Features a 1" diameter button
- Fits 1 to 1-1/4" square tube
- Mounting application fastens from the bottom of the square tube
- Available finishes include satin anodized, black hard coat anodized and brite dip



w tacomarine.com | ph 800.653.8568 | e info@tacomarine.com



PART #	DESCRIPTION	FINISH
F18-0186VEL	Aluminum Quick Release Fender Lock	Satin Anodized
F18-0186BKH	Aluminum Quick Release Fender Lock	Black Hard Coat Anodized