



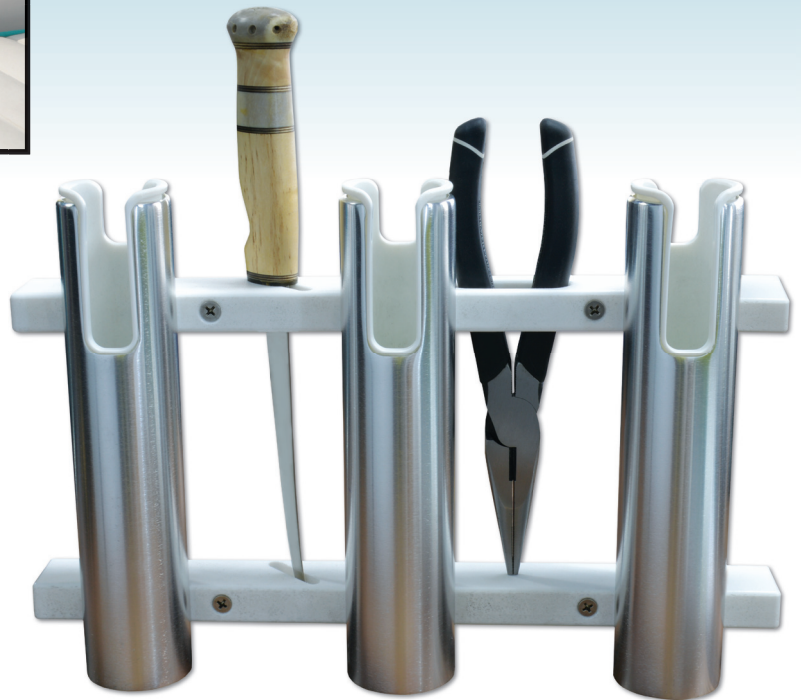
ALUMINUM/POLY ROD RACK



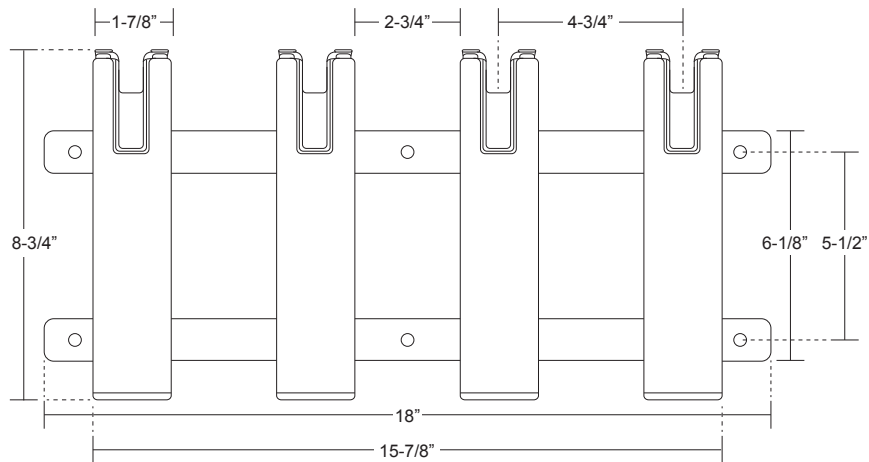
Taco Marine's Aluminum and Poly Rod Rack offers stylish rod storage in a brite dipped sanded and anodized finish with poly racks. Ideal for storing light to medium tackle spinning rod/reel combos.

FEATURES & BENEFITS

- Available in brite dipped sanded and anodized finish
- Offered with 3- or 4- rod holders
- Slotted to lock-in rods/reels
- Form-fitted PVC White liner
- Designed for light to medium tackle spinning rod/reel combos
- Features convenient integrated slots for knife and plier
- Recessed fasteners



Tools and mounting hardware not included



F31-3104BXZ-1

Part #	Description	UPC	Length	Rod Holder I.D.	U of M	Std. Pk.
F31-3103BXZ-1	Brushed Alum/Poly, 3-Rod Holder Rack	630886088825	13-3/8"	1-1/2"	Each	4
F31-3104BXZ-1	Brushed Alum/Poly, 4-Rod Holder Rack	630887088831	18"	1-1/2"	Each	4

