

From the Leaders in Lightning Detection Awareness

TALOS[®] SFD-300 Series Low Cost Portable Lightning Detector



APPLICATIONS

- Golfing
- Sporting Events (inside & outside)
- Dog Walking
- Hiking
- Beaches & Parks
- Sporting Events / Sporting Equipment
- Strollers
- Any Outdoor Activity

Meets OSHA & NOAA requirements for protecting employees from dangerous lightning.



DESCRIPTION

The SFD-300 Series is a dual purpose portable lightning detector with 3 modes: Lightning Detection Mode, Stadium Mode, and OFF. Over 6000 deaths and injuries occur from lightning strikes every year.

When in Lightning Detection mode, the detector provides visual alerts to approaching or departing storm fronts and lightning by sensing the distance of lightning strikes that are in the area, making you aware of potentially life-threatening situations.

When in Stadium mode, the device flashes green, blue, and red when Tesla coils release lightning after a team scores (for example, Tampa Bay Lightning & Oklahoma Thunder).

FEATURES

- Portable Compact Design (convenient for cup holders, clips onto purses, backpacks, etc.)
- 3 Different Colors Indicate the Distance (approaching or departing) of the Storm Front.
Green = 25 miles, **Blue** = 16 miles, **Red** = 6 miles
- Requires 2 CR2032 Batteries (included)
- Stadium Mode: Flashes all 3 colors during stadium events that include Tesla coils that create lightning such as Tampa Bay Lightning & Oklahoma Thunder

- Low Cost
- High Accuracy
- Changeable Lens for Special Events
- Adjustable Lanyard Included
- Custom Lens & Lanyard Printing Available (minimum quantities apply)
- Enclosure is Dust Proof
- Sealing: IP40 Rating

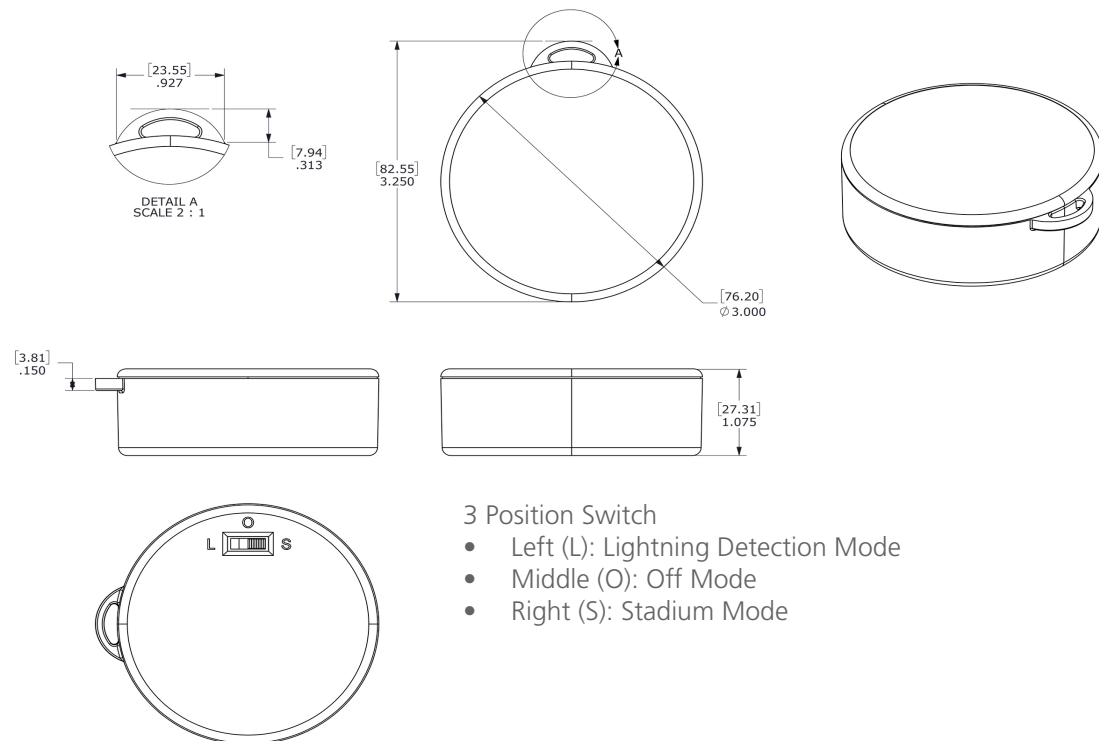


CUSTOM SOLUTIONS



Minimum quantities apply.

DIMENSIONS



Specifications may change without notice. The information we supply is believed to be accurate and reliable as of this printing. However, we assume no responsibility for its use. While we provide application assistance personally, through our literature and the PMT web site, it is up to the customer to determine the suitability of the product in the application.

LENS REMOVAL



To replace the CR2032 batteries or change the lens, hold between palms, apply gentle pressure and twist 1/8 turn counter-clockwise.

To replace the lens, apply gentle pressure and twist counter-clockwise until the lens clicks in place.

INTERFERENCE

Devices that emit electrical noise, such as cell phones, tablets, or computers can cause interference that blocks the lightning detector from being able to receive the lightning signals. If the detector is unable to detect lightning due to electrical noise interference, the detector LEDs will display a flashing sequence of colors. The detector should be a minimum of 3 feet away from these types of devices.

