

## TALOS<sup>®</sup> SFD-1000-R with Horn

Remote Lightning Detection Device and Horn for Utility Trucks  
*\*Patent Pending*

SFD-1000-R Housing



Square In Dash  
Illuminated Indicator



Round In Dash  
Illuminated Indicator



External Audible Alert Horn



### APPLICATIONS

- Bucket Trucks
- Utility Trucks
- Work Trucks
- Construction Sites and Equipment
- Lawn Companies
- Agriculture

Engineered for customized OEM applications, the SFD-1000-R utilizes a proprietary, patent-pending, compact design to detect and alert lightning strikes up to 25 miles away - increasing situational awareness and elevating safety levels.



Featured in  
**ip** INCIDENT  
PREVENTION  
Magazine

### DESCRIPTION

**55% of lightning injuries & fatalities occur to outdoor workers.**

#### *How do you stay aware of changing weather conditions?*

The TALOS Remote Lightning Detector with external power horn provides extra loud audible alerts when lightning is approaching or departing by sensing the distance of the lightning strikes that are occurring in the area, making you aware of potentially life-threatening situations.

Lightning can strike from 25 miles away, but thunder can only be heard from 10 miles away. This means lightning can strike even when the sky is blue and it appears no storm is in sight. Each year in the U.S., there are approximately 25 million cloud-to-ground lightning flashes and about 300 people struck by lightning causing death or permanent disability.



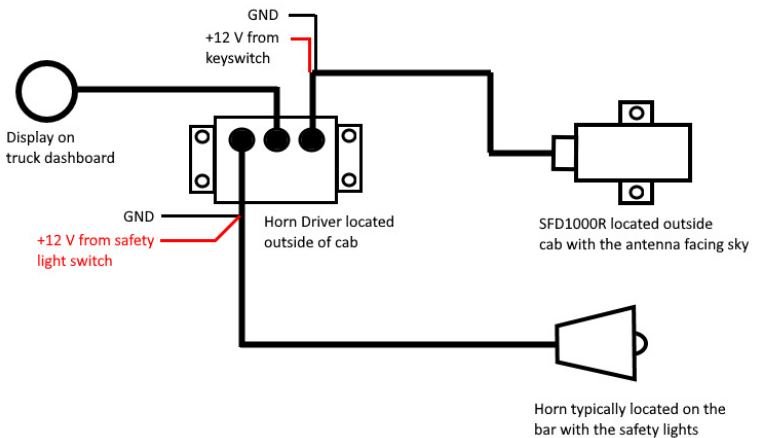
No Internet, Cellular Connection or  
Subscription Required!



## INSTALLATIONS



Remote Lightning Detector with Horn Installation



The TALOS SFD-1000-N2K  
Installation Diagram with External Horn

## FEATURES & BENEFITS

- Up to 25 Mile Detection Range
- Same Technology Utilized in National Weather Stations
- In Cab Visual and Audible Alerts:
  - 3 Different Colors Indicate the Distance (approaching or departing) of the Storm Front:
    - Green** = 25 miles
    - Blue** = 16 miles
    - Red** = 6 miles
  - 3 Audible Beeps, When Lightning is Detected.
- Flashes Yellow Once a Minute When in Active Listening Mode
- If Lightning Strikes Multiple Times in 1 second, all 3 Colors will Rotate **Indicating Maximum Danger\*\***

- Loud Audible Alerts Via External Horn
- TALOS Alerts in Real Time Based Upon Your Exact Location

### Housing Specifics:

- Compact Design
- Easy to Mount
- Clean Look When Mounted
- Low Cost
- Low Power Consumption
- High Accuracy
- IP-67 Waterproof
- **OEM Tested and Approved**



## SPECIFICATIONS

Performance @ 25°C (77 °F)  
Operating Temperatures  
Reverse Polarity Protection

-20 to 80 °C (-4 to 176 ° F)  
Yes

Input  
Supply Voltage  
Current (listening mode)  
Current (detecting mode)  
Housing Size

6-30 VDC  
400 µA  
4.5mA  
112.38Lx37.98Hx69.85W  
(Measured in Millimeters)

Indicator Cutout Size

Round: 3/4" diameter  
Rectangle: 1.400"-1.450" Long x .800"-.825" Wide

Cable Size Options: 3 ft, 10 ft, 20 ft  
Horn Size: 107.95Lx101.6Hx101.6W  
(Measured in Millimeters)



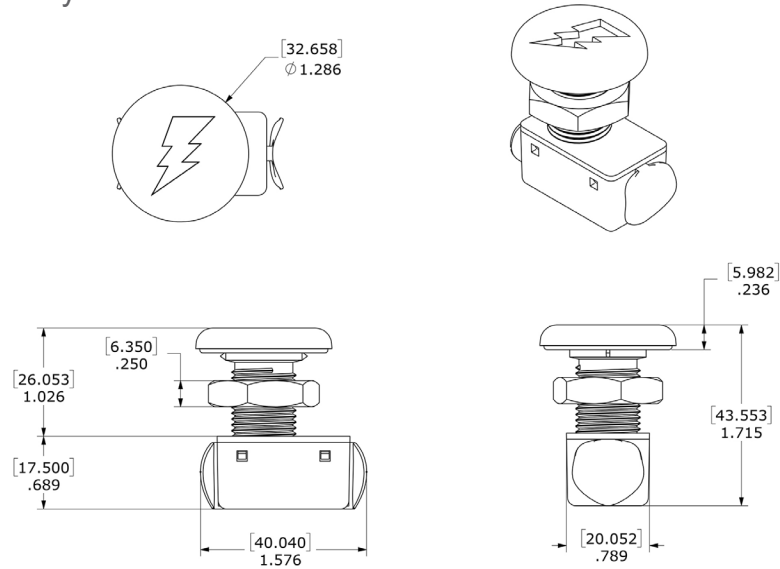
\*\*If remote housing is placed close to electrical noise interference, all colors will rotate, just as it would if multiple lightning strikes were detected at once.

REV: 10.24

## DIMENSIONS

### Round Indicator Assembly

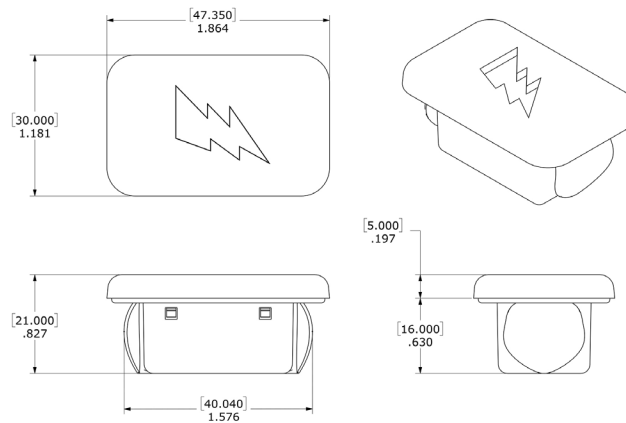
Measurements:  
Top Number = Millimeters  
Bottom Number = Inches



\*Requires 3/4" mounting hole

### Rectangle Indicator Assembly

Measurements:  
Top Number = Millimeters  
Bottom Number = Inches

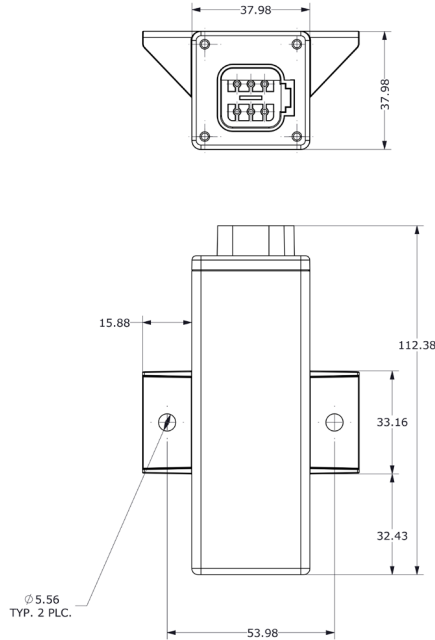


\*Fits inside industry standard rocker switch knockout



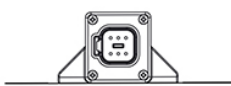
## DIMENSIONS

Remote Housing  
Measurements in millimeters

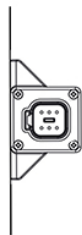


## MOUNTING ORIENTATION

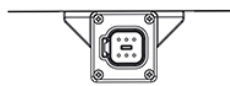
Mounting  
Tabs Bottom  
-1



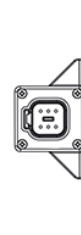
Mounting  
Tabs Left  
-2



Mounting  
Tabs Top  
-3



Mounting  
Tabs Right  
-4



Mounting Orientation determines where antenna will be placed inside the remote housing.  
Antenna must be facing skyward.

## ORDERING

Series — Power Options — Mounting Options — Housing Color

SFD — 1000-R — -1 — C

1000-R = Remote Housing

-1 = Mounting tabs bottom  
-2 = Mounting tabs left  
-3 = Mounting tabs top  
-4 = Mounting tabs right

C = Clear  
B = Black  
W = White



\*Consult technical sales for custom OEM options/solutions

REV: 10.24



## HOUSING



Clear



Black



White

## ACCESSORIES

### Optional Indicators



SFD-ANR-RSB



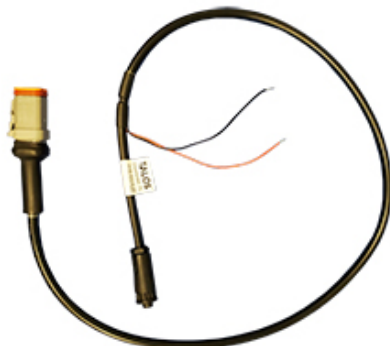
SFD-ANR-RSW



SFD-ANR-GRB



SFD-ANR-GRW



### Cable Lengths

Length	Part Number
3 ft:	SFD-CBL-03
10 ft:	SFD-CBL-10
20 ft:	SFD-CBL-20



Optional 6" Splitter Cable  
(Required for use of dual indicators)  
SFD-SPLITR

Specifications may change without notice. The information we supply is believed to be accurate and reliable as of this printing. However, we assume no responsibility for its use. While we provide application assistance personally, through our literature and the PMT web site, it is up to the customer to determine the suitability of the product in the application.

