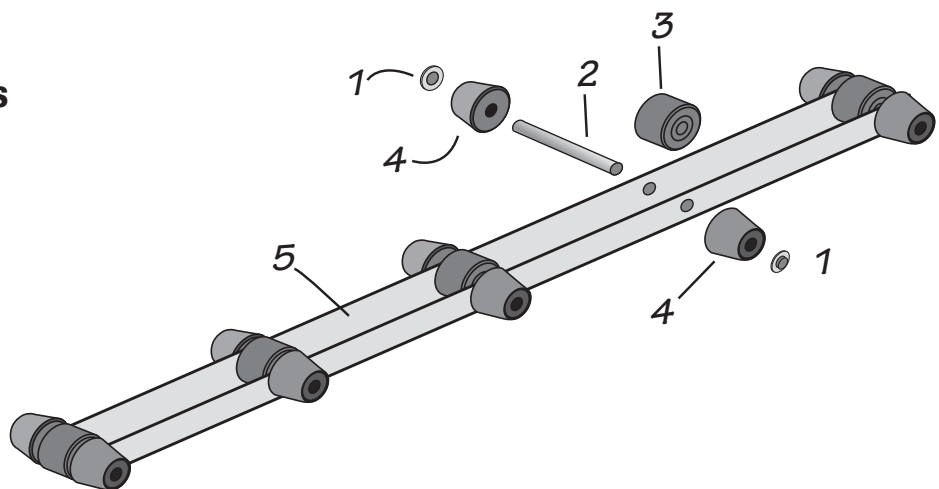


Roller Bunk

Installation Instructions

Part #86117 - 4' Bunks

Part #86118 - 5' Bunks



Part 86117 Kit contains the following components:

#	Qty.	Part #	Description
1	20	10090	5/8" Cap Nut
2	10	44603	5/8" x 5-1/4" Roller Shaft
3	10	45106	Center Bunk Rubber Roller
4	20	17084	End Cap Rubber Roller
5	2	44840	4' Roller Bunk Channel

Part 86118 Kit contains the following components:

#	Qty.	Part #	Description
1	24	10090	5/8" Cap Nut
2	12	44603	5/8" x 5-1/4" Roller Shaft
3	12	45106	Center Bunk Rubber Roller
4	24	17084	End Cap Rubber Roller
5	2	44840	4' Roller Bunk Channel

Mounting Option 1:

Roller bunks may be bolted directly to wooden bunk boards or directly to trailer frame. Make sure your boat fits properly before permanently mounting.

Mounting Option 2:

Roller bunks can be mounted on existing bunk bracket hardware.

Mounting Option 3:

New hardware with bolster and swivel brackets.

Mounting Option 3: Additional Hardware Required (see back for assembly instructions):

2 - Bolster and Swivel Bracket Kits

TDE Part #81210 - 8"

TDE Part #81215 - 10"

TDE Part #81220 - 12"

Each kit contains: 2 bolster brackets, 2 swivel brackets, 2 (1/2"x1") bolts & 2 (1/2") Nyloc nuts.

8 nuts, 8 washers, 8 bolts,

or

8 nuts, 8 washers and 4 U-bolts

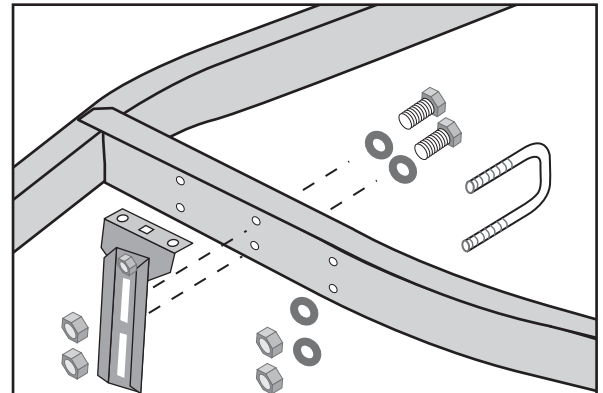
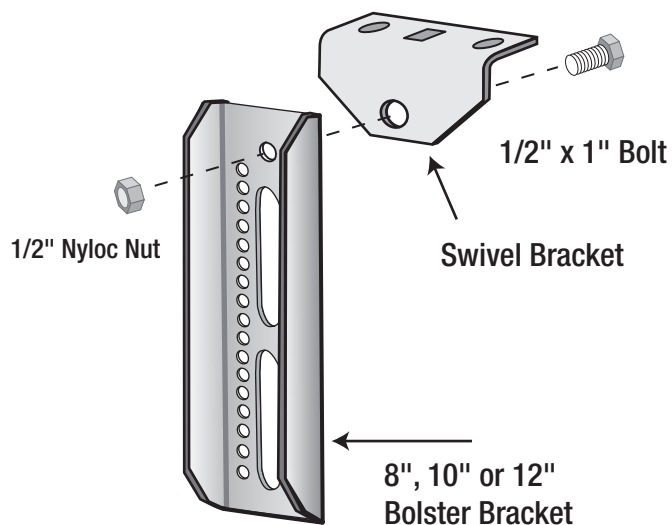
Instructions #08266 (A1474 - Rev. 5/16/22)

Roller Bunk

Installation Instructions

Part #86117 - 4' Bunks

Part #86118 - 5' Bunks



1. Assemble bolster and swivel brackets as shown above left, 4 required.
2. Position and attach bracket assemblies, shown above right, to trailer cross members at desired width and height locations.
3. Place roller bunks over swivel bracket assemblies and adjust lengthwise to fit. Roller bunks have several universal mounting holes. Drilling additional holes may be necessary to match your trailers cross member locations.
4. Attach roller bunks to swivel brackets with 3/8"x1" hex head bolts. Place washer next to bolt head before inserting through roller bunk channel. Fasten with 3/8" locknut's.
5. Adjust roller bunks to angle of your boat and secure swivel bracket assemblies
6. Adjust height again if necessary.

Instructions #08266 (A1474 - Rev. 5/15/22)