

Pontoon High Impact Trailer Guide On's

Assembly/Installation Instructions

Part #86467

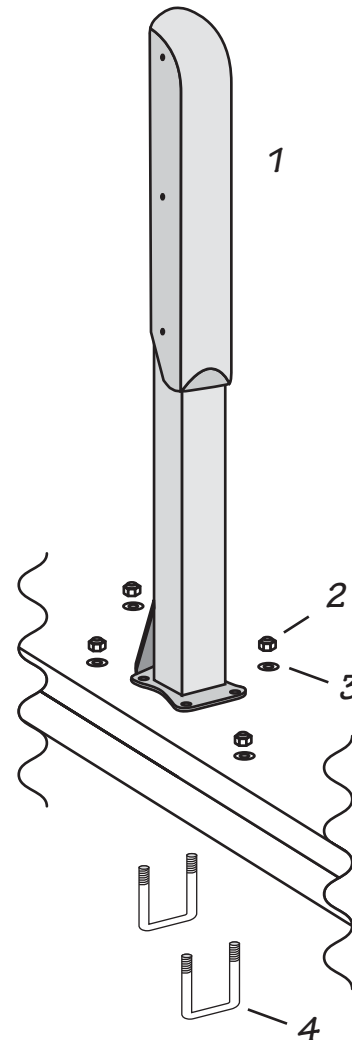
- Hot dip galvanized steel tubing
- Fits over 2"W x 2H" & 2"Wx 3"H tubes
- Fits over cross members

This kit contains the following components:

| # | Qty. | Part # | Description |
|---|------|----------|-------------------------------------|
| 1 | 2 | 43766A | Guide Tube Assembly |
| 2 | 8 | 10645 | Nylock Nut 1/2" |
| 3 | 8 | 10527 | Washer 1/2" zinc |
| 4 | 4 | 84478-1Z | U-bolt 1/2"-13 x 2-1/16" x 3-13/16" |

Installation Instructions

1. Place the Guide Tube Assembly (1) in place over the crossbeam, check for correct positioning to the pontoon.
2. Place u-bolts (4) under the frame and thru the Guide Tube base. Loosely attach washers (3) and nylock nuts (2).
3. Make sure the guide tube is properly seated flat against the crossbeam and in a 90 degree angle.
4. Double check Guide Tube and pontoon position.
5. Tighten the u-bolts.



Instructions #08119 (A1074 - Rev. 5/16/22)