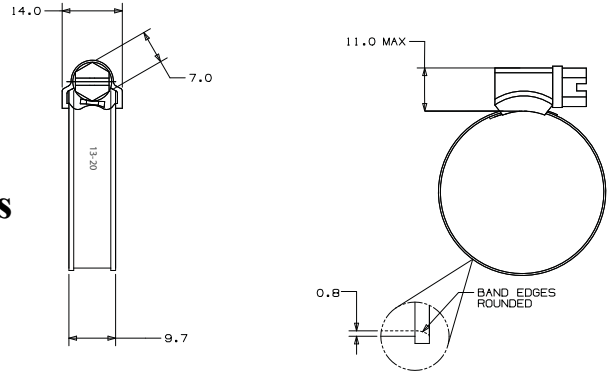


## Compact “HD NON-PERF” Clamp

All 316 Stainless Steel Hose Clamp  
Non-Perforated with Rolled Edges – Single Piece Housing



# 705 Series



**Premium Marine Grade, all AISI 316 (high tensile strength) Stainless Steel Compact “HD NON-PERF” Worm Gear Hose Clamp. The 9.7 mm (0.382”) wide band is Non-Perforated and Smooth on the inside with Rolled Edges. This eliminates hose damage with increased clamping force. The High Strength, Compact, One Piece 14mm (0.55”) wide Housing provides one of the highest clamping force ratings of any worm gear style clamp. Screw Head is 7mm.**

**All this spells longer service life and safety for most general-purpose hose applications and connections.**

### Recommendations:

- Measure hose O.D. before selecting clamp size for proper fit.
- Double clamp on each hose end for critical applications.

### 3-Year Warranty.

### Specifications:

Trident Part No.	SAE size	HOSE I.D. Inches	CLAMPING RANGE Inches	CLAMPING RANGE mm	Recommended Torque Inch lbs
705-0140	3	3/16 – 1/4	5/16 – 9/16	8-14	25-35
705-0560	4	1/4 – 5/16	7/16 – 21/32	11-17	“
705-0380	6	5/16 – 3/8	11/32 – 25/32	13-20	“
705-0120	8	3/8 – 1/2	5/8 – 15/16	15-24	“
705-0580	10	1/2 – 5/8	3/4 – 1 1/8	19-28	“
705-0340	12	5/8 – 3/4	7/8 – 1 1/4	22-32	“
705-1000	16	7/8 – 1	1 1/16 – 1 1/2	26-38	35-45
705-1140	20	1 – 1 1/4	1 1/4 – 1 3/4	32-44	“
705-1380	24	1 5/16 – 1 3/8	1 1/2 - 2	38-50	“
705-1120	28	1 1/2 – 1 5/8	1 3/4 – 2 1/4	44-56	“

**Construction:** Swedish Std. SMS2298 - W5\*

**Band & Housing:** 316 Stainless Steel

9.7 mm Wide Band – 0.8mm Thick

**Screw Drive:** 316 Stainless Steel

7.0 mm Screw Head

\* INTERNATIONAL MATERIALS STANDARD

**TRIDENT RUBBER INC.**

585 PLUM RUN ROAD  
CANONSBURG PA, 15317

**1-800-414-2628**

**1-724-745-9311**

WWW.TRIDENTMARINE.COM

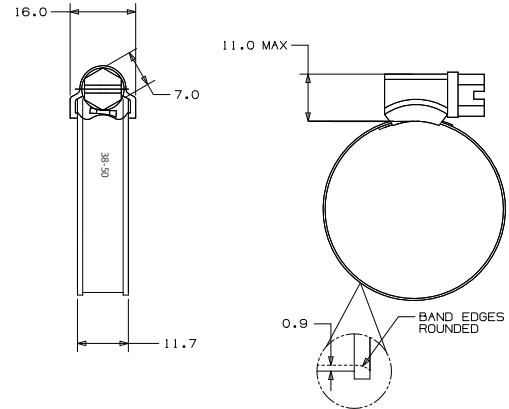
# “HD NON-PERF” Clamp



## All 316 Stainless Steel Hose Clamp Non-Perforated with Rolled Edges – Single Piece Housing



### # 710 Series



**Premium Marine Grade, all AISI 316 (high tensile strength) Stainless Steel “HD NON-PERF” Worm Gear Hose Clamp. The 11.7 mm (0.46”) wide band is Non-Perforated and Smooth on the inside with Rolled Edges. This eliminates hose damage with increased clamping force. The High Strength, Compact, One Piece 16mm (0.63”) wide Housing provides one of the highest clamping force ratings of any worm gear style clamp. Screw Head is 7mm.**

**All this spells longer service life and safety for most general-purpose hose applications and connections.**

#### Recommendations:

- Measure hose O.D. before selecting clamp size for proper fit.
- Double clamp on each hose end for critical applications.
- Consider using our #720 Series wide band 316 SS T-Bolt Clamps for larger I.D. hoses (i.e. Exhaust Hose, etc.)

#### 3-Year Warranty.

#### Specifications:

**Construction: Swedish STD:  
SMS 2298 - W5\***

**Band & Housing:** 316 Stainless Steel  
11.7 mm Wide Band – 0.9mm Thick  
**Screw Drive:** 316 Stainless Steel  
7.0 mm Screw Head

Trident Part No.	SAE size	HOSE I.D. Inches	CLAMPING RANGE Inches	mm	Recommended Torque Inch lbs
710-0120	8	3/8 – 1/2	5/8 - 15/16	15-24	35-45
710-0580	10	1/2 - 5/8	3/4 - 1 1/8	19-28	“
710-0340	12	5/8 - 1 1/8	7/8 - 1 1/4	22-32	“
710-1000	16	7/8 - 1	1 1/16 - 1 1/2	26-38	“
710-1140	20	1 - 1 1/4	1 1/4 - 1 3/4	32-44	“
710-1380	24	1 5/16 - 1 3/8	1 1/2 - 2	38-50	“
710-1120	28	1 1/2 - 1 5/8	1 3/4 - 2 1/4	44-56	45-60
710-1780	-	1 3/4 - 1 7/8	1 7/8 - 2 1/2	47-63	“
710-2000	32	1 3/4 - 2	2 - 2 9/16	50-65	“
710-2140	40	2 1/8 - 2 3/8	2 5/16 - 3	58-75	“
710-2120	44	2 1/2 - 2 3/4	2 11/16 - 3 3/8	68-85	“
710-3000	52	2 5/8 - 3	3 - 3 3/4	77-95	“
710-3120	64	3 1/8 – 3 1/2	3 7/16 - 4 3/4	87-112	“
710-4000	80	3 1/2 - 4 1/2	4 1/8 - 5 7/16	104-138	“
710-5000	96	4 1/2 - 5 1/2	5 1/8 - 6 1/2	130-165	“
710-6000	104	5 1/2 - 6	5 7/8 - 7 1/8	150-180	“
710-6580	122	6 5/8	6 7/8 - 8 1/8	175-205	“
710-8000	138	8	7 7/8 - 9 1/8	200-231	“

\* INTERNATIONAL MATERIALS STANDARD