

PRODUCT BASIC INFORMATION

VL 2-IN-1 VOLTMETER HOUR COUNTER

Easy to install, easy to customize, easy to use.



DIGITAL HOUR COUNTER AND VOLTMETER

More than a simple counter

KEY FEATURES

- 2 instruments in 1 with digital engine hour counter and voltmeter
- Segment display with white LED backlight
- Suits different applications thanks to the 48V operating voltage
- Automatic data switch every 10 seconds
- Plastic front double lens
- Black and white variants available
- 9 different styling rings to customize your dashboard
- Front and flush panel mount

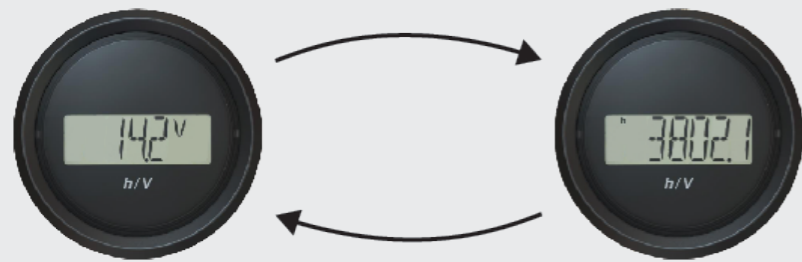


The VL two-in-one instrument features a bright and well readable LCD designed to display both your engine hours and a digital voltmeter to have your battery information alsys under control.

Its extended operating voltage up to 60 V makes it a perfect solution for the most diverse applications, from marine engines to static generators, material handling machines, and many more.

The display automatically toggles between the two values every 10 seconds for a completely hands free operation.

Black and white variants are available and customizable with nine syling rings in different shapes and colors.



»» **Automatic display toggle every 10 seconds**

ACCESSORIES AND SPARE PARTS

| | |
|--------------------------|---------------|
| Cable 8 wires* | A2C59512947 |
| Spinlock Nut 52 mm* | A2C5205947101 |
| Flush mount kit | A2C59510864 |
| Bezel Flat black | A2C5318604001 |
| Bezel Flat white | A2C5318602201 |
| Bezel Flat chrome | A2C5318602301 |
| Bezel Triangular black** | A2C5318602401 |
| Bezel Triangular white** | A2C5318602501 |
| Bezel Triangular chrome | A2C5318602601 |
| Bezel Round black** | A2C5318602701 |
| Bezel Round white** | A2C5318602801 |
| Bezel Round chrome | A2C5318602901 |

* included in the box

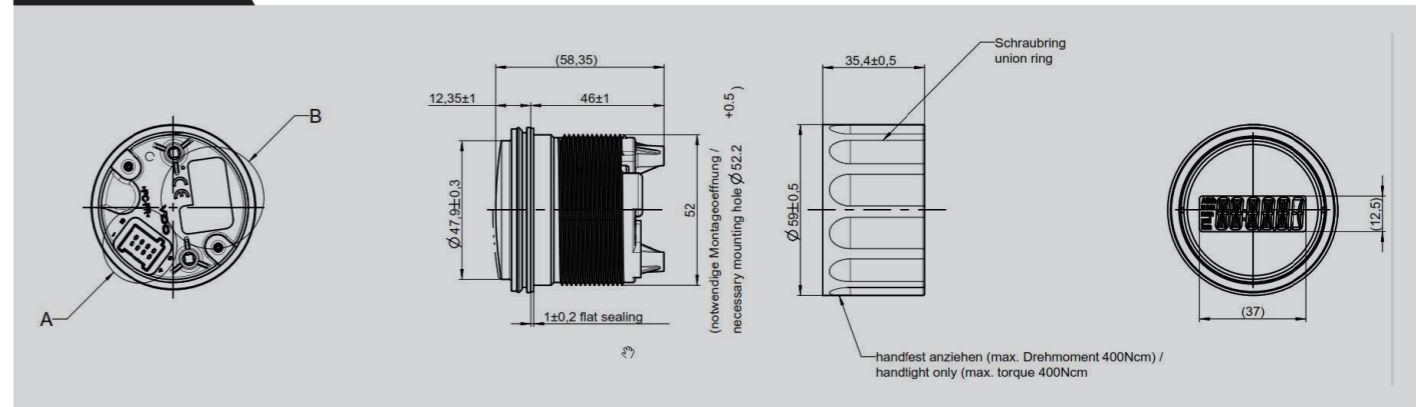
** included in the box, see variant descriptions



/ Nine styling front rings are available to match your favorite style



DIMENSIONS



TECHNICAL DATA

| | |
|------------------------------|---|
| Nominal voltage | 12 / 24 / 48 V |
| Operating voltage | 9 - 60 V with reverse polarity and over voltage protections |
| Current consumption | ≤ 50 mA @ 12 V |
| Display | Segment TN+ with white LED backlight |
| Dimensions | Installation diameter: 52 mm Outer diameter: 60 mm (with bezel) Instalaltion depth: 46 mm |
| Mounting | Spinlock Nut (Front panel mount) Flush mount (via flush mounting kit) |
| Protection class | IP67 front IP52 rear acc. to IEC 60529 |
| Operating temperature | -40 to +80°C |
| Storage temperature | -40 to +85°C |
| Material | Housing: PC (black) Lens: PMMA double lens Bezel: ABS (Chrome), PC (Black, White) |
| Connector | Tyco/Hirschmann MQS plug, 8 pin |
| Flammability | V0 acc. to UL-94 |
| Compliance | CE, UKCA, Reach, RoHS |

» BLACK AND WHITE VARIANTS



VARIANTS

| | | | |
|-----------------------------------|-----------|-----------------------------------|-----------|
| Black with round black bezel | B00005302 | White with round white bezel | B00006302 |
| Black with triangular black bezel | B00005303 | White with triangular white bezel | B00006303 |



»» **The new VL 2-in-1 replaces the old mechanical hour counter and adds more value with the digital voltmeter**

OUTDOOR INSTRUMENTATION ENGINEERED IN SWITZERLAND



Veratron AG / Industriestrasse 18 / 9464 Rüthi / Switzerland
T +41 71 7679 111 / info@veratron.com / veratron.com

The information provided in this brochure contains only general descriptions or performance characteristics, which do not always apply as described in case of actual use or which may change as a result of further development of the products. This information is merely a technical description of the product. It is not meant or intended to be a special guarantee for a particular quality or particular durability. An obligation to provide the respective characteristics shall only exist if expressly agreed in the terms of contract. We reserve the right to make changes in availability as well as technical changes without prior notice.

Veratron AG / English © 2022