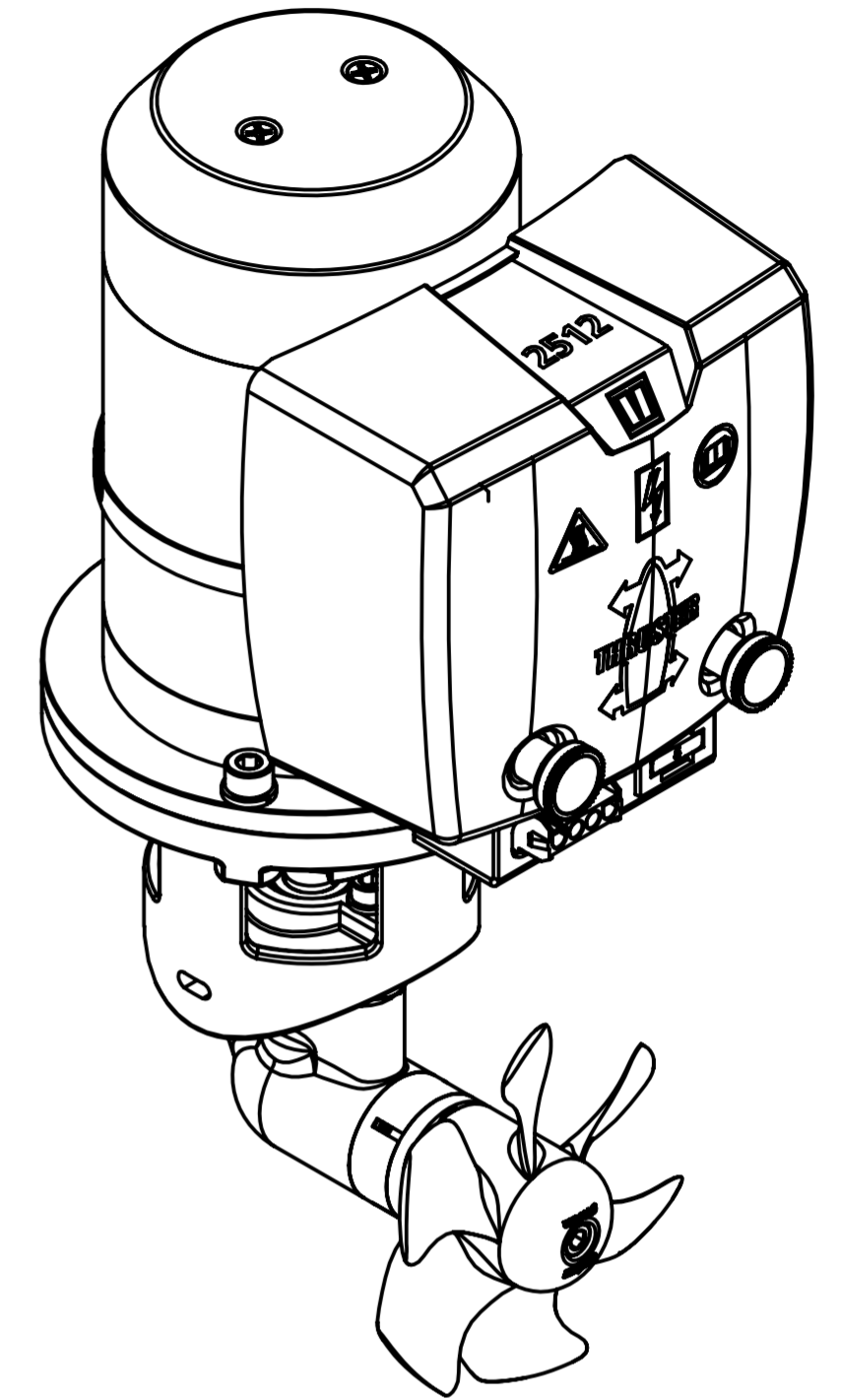


PROPELLER DIAMETER = 108mm



Rev:	Made on:	Drawn:	Change:	Tolerances unless otherwise specified: 0. Decimal (x) : ± 0.5 1. Decimal (x,x) : ± 0.2 2. Decimal (x,x,x) : ± 0.1 Angles : ± 0.5° Remove burrs and sharp edges: 0.1-0.25	Description: Bow thruster 25kgf Description 2: version E ERP code: BOW2512E Material:	Drawing No: BOW2512E Checked: Date: Drawn: RvdH Date: 4-1-2017
				Material Volume: mm3	Weight: gr	Proj.: Dim.: mm. Scale: 1:5 Sheet: 1 of 1 Sheet Size: A2