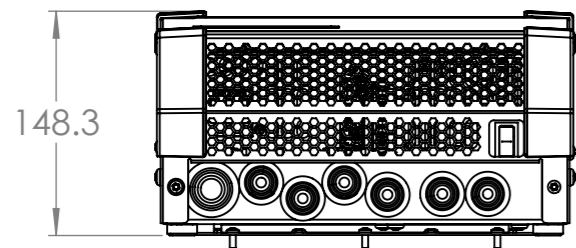
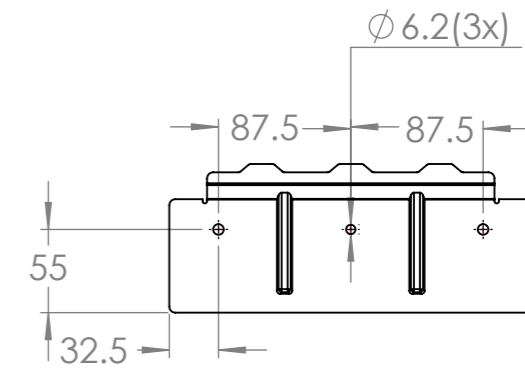
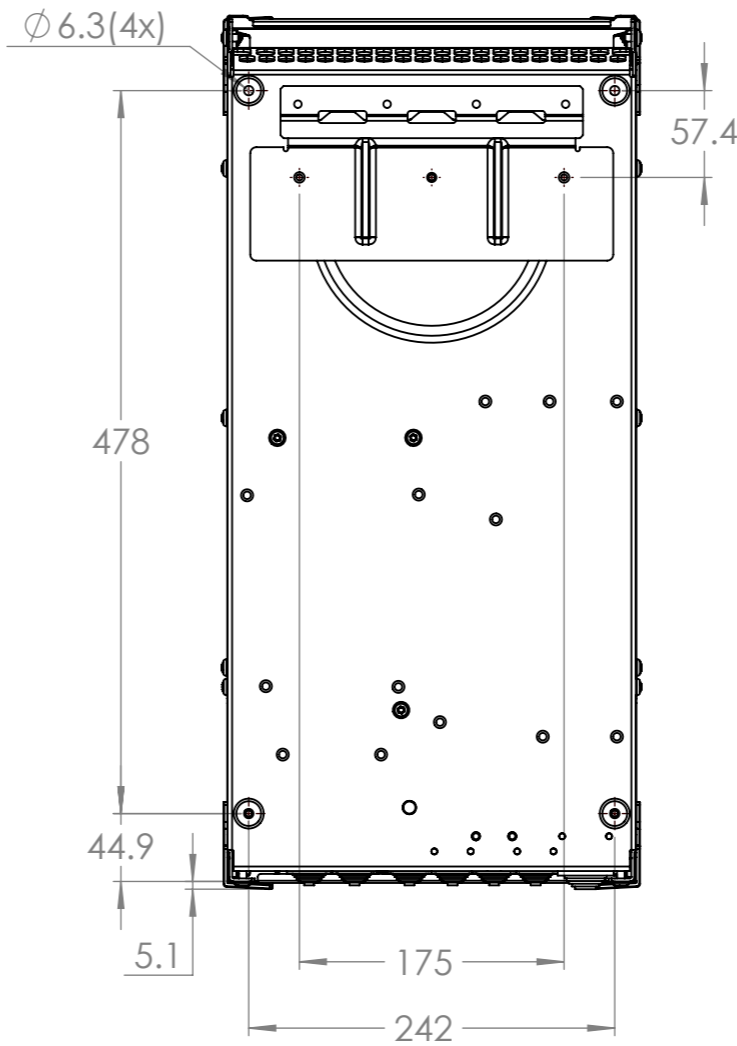
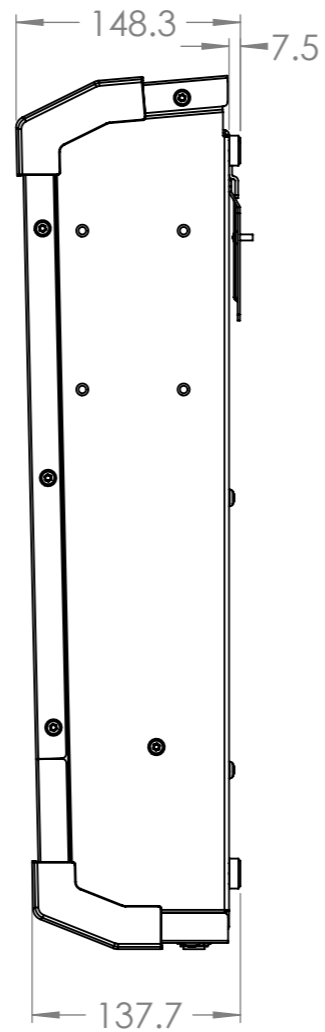
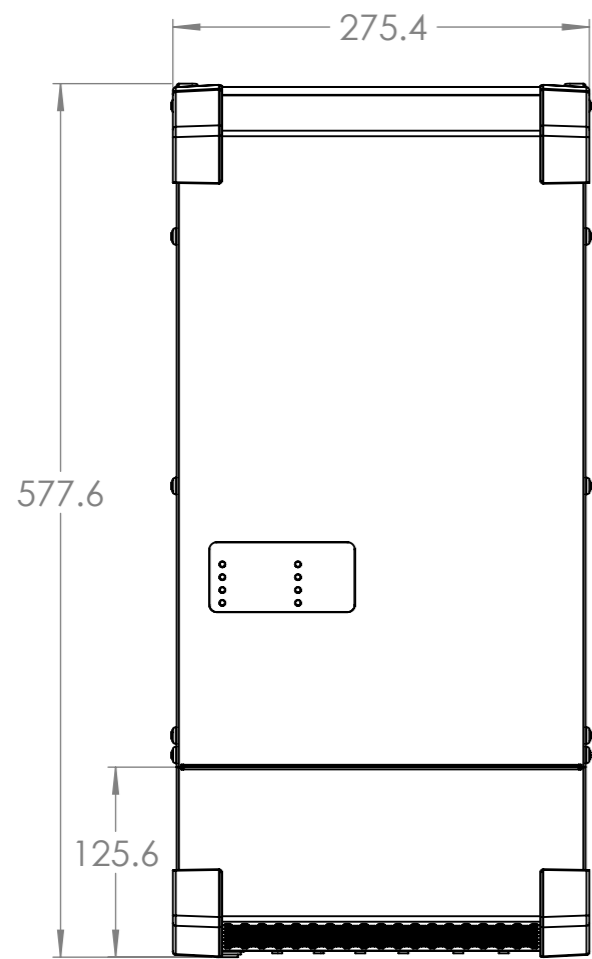


Dimensions in mm



Dimensions in mm

