

Weaver Helm Seat Instructions

Bolt Package Includes:

- 1 - 3/8" x 1-1/2" Hex Head – Tilt Steering Arm
- 1 - 3/8" x 1-3/4" Hex Head – Tilt Steering Arm
- 2 - Nylon Washers – Tilt Steering Arm
- 2 - 3/8" Stainless Washers - Tilt Steering Arm

- 4 - 5/16" x 3/4" Hex Head – Steering Head

- 4 - 1/4" x 1-1/4" Phillips round head – Control Pad

- 4 - 5/16" x 2" Hex Head – Top of the leg

- 4 - 3/8" x 1" Hex Head – ****Bottom of Leg
legs can be used as bent in or bent out for the
design of the floor of the dinghy****

- 6 - 3/8" Nyloc nuts

- 8 - 5/16" Nyloc nuts

- 8 - 1/4" Nyloc nuts

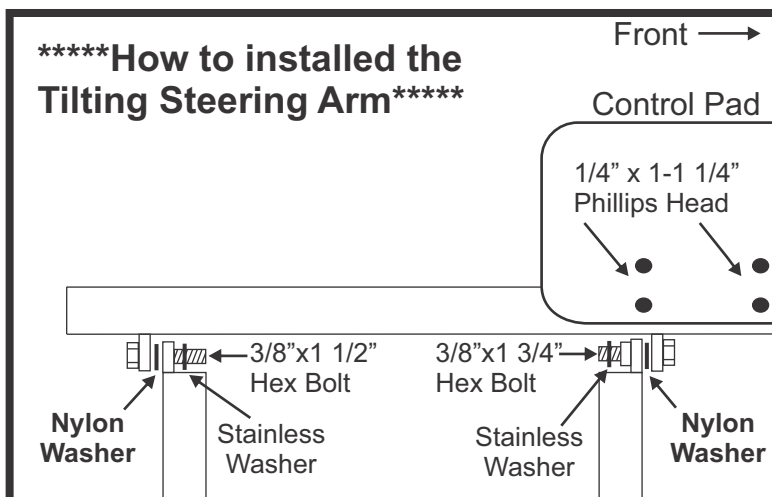
- 1 - Top Knight Grease with Brush ****BE SURE TO GREASE ALL BOLTS BEFORE ATTACHING NUTS****



Attaching Helm seat to the floor - Use 3M 5200 and sheet metal screw it to the floor if it is a double hull floor or if it is a single hull floor needs to be through bolted with carriage bolts from underneath

****Steering system and steering wheel are not included. We recommend UFlex RoTech Universal Steering System****

Make sure that you put the Nylon washers between the steering arm and the seat base as in the drawing below.



Weaver Industries Inc.
 6570 W Boekel Rd
 Rathdrum, ID 83858
 (800) 367-4062 • (208) 687-3982
 Fax (208) 687-0782
www.weaverindustries.com



Three Switch Holder-
For 12v Accessories like lights, horn, bilge pump

19"x12.5"x12.5" storage bag with pockets attached underneath the hinged bottom seat.



Attaching Leg, Bag and Pocket

Lay the Helm seat on it's back so that the bottom stays up. Attach the bag and pocket with 1/4" x 20 nylock nuts to the back corners. Next attach the front onto the bolts. Don't tighten the nuts yet, leave them loose.



Lay out the legs looking at two sets left and right bends. There should be two tabs up and two tabs down. Mount the legs onto the helm with the tabs of the legs mounted on the inside of the bottom plate. Bolt the legs to the seat with 3/8" x 1" Hex heads bolts. Now go back and tighten the bag with a wrench until it is snug.

