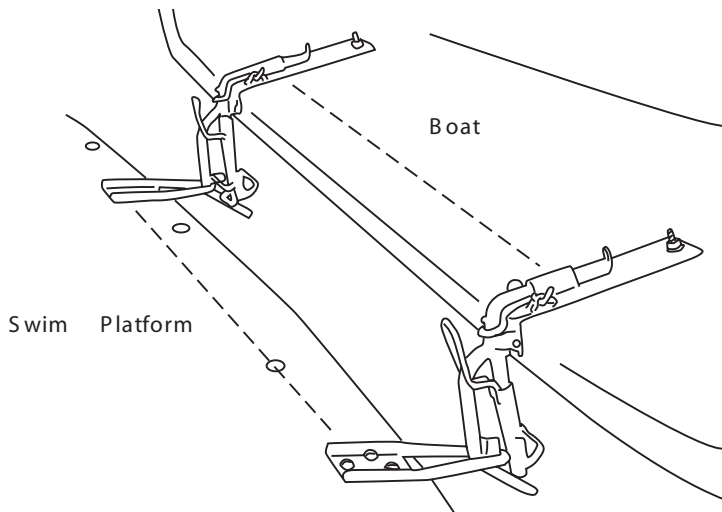


# Weaver Snap Davits

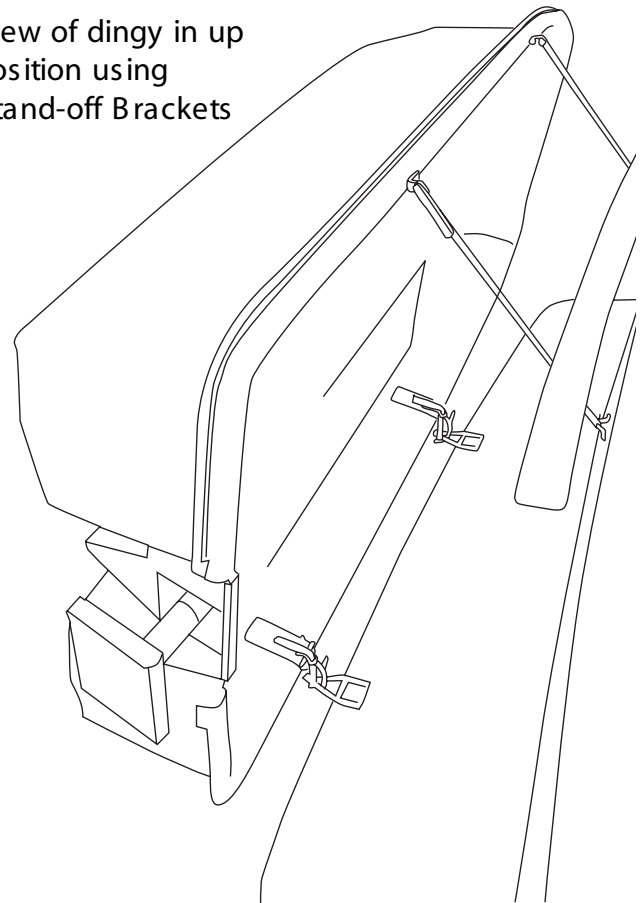
## For Hard Shell Dinghies

### MOUNTING INSTRUCTIONS

Step 1 - Line up dinghy with swim platform to determine proper location of davits.

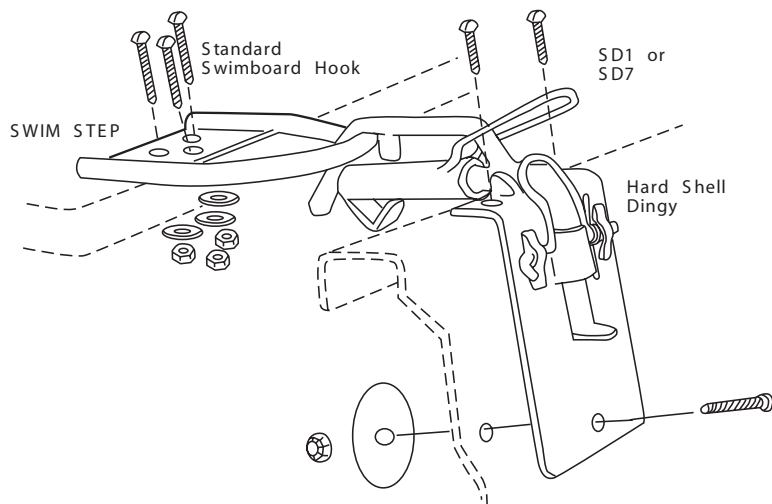


View of dinghy in up position using Stand-off Brackets



Step 2 - Mount both snap davits on dinghy over seating area or reinforced side using 1" bolts.

Step 3 - Use 1" bolts plus large washer for bottom of snap davit. Make sure the large washer is on the water side and has a marine sealant behind it.



Step 4 - Mount one swimboard hook on swimboard using 2" bolts.

Step 3 - Now hook up your dinghy and find placement of the other swimboard hook, mark and install.