

The Original

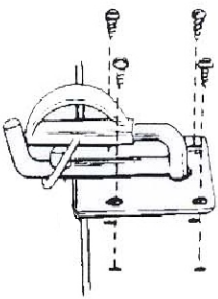
Weaver Quick Kit



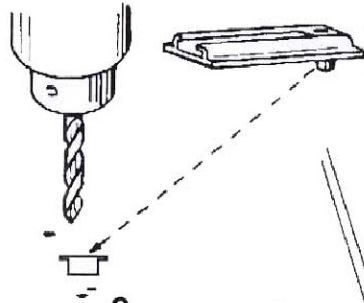
Permanent Snap Davit On Your Swim Step Can Now Be Removable

The Original Weaver Quick Kit is designed to let you remove the davit heads from your swim platform when you are not carrying your dinghy. This is accomplished through the use of the **Weaver Quick Kit** adapter plate and special locking pin. With the davit head removed, the boater is left with a low profile stainless steel adapter plate that makes it easy to move about on the swim platform, free from davits. Kit includes two brackets, two pins and installation hardware. Davits are not included.

1. Simply unbolt the existing davit heads from your swim platform. The *Quick Kit* plates will cover the old holes.

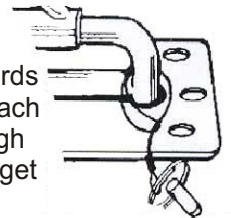


2. Drill a 5/8" diameter (approx.) hole about 1/2" deep. Make sure you seal all holes with caulking to prevent water seepage into the swim platform.

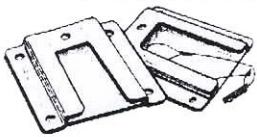


3. Seal existing mounting holes and mount the *Quick Kit* plates over them.

4. Wrap the Quick Disconnect Pin lanyards around the base of each davit head and through the loop so it will not get lost.



Slide the davit into the plates and push the pin completely down to the ring. Be sure and store your davit heads in a safe place and please be aware of dropping them in the water.



Note: Due to the many years in manufacturing davit heads, there may be variance in width so that the heads do not slide into the Quick Kit easily. Simply send the heads and the kit back to Weaver Industries and it will be modified to fit right or call for more information at 1 (800) 367 - 4062.

Look for the Weaver name...your sign of quality



SEE YOUR DEALER FOR OTHER ORIGINAL WEAVER PRODUCTS

THE ORIGINAL SNAP DAVIT INFLATABLE BOAT UNIVERSAL FISHING POLE
SNAP DAVITS ACCESSORIES ACCESSORIES DINGHY CHOCKS HOLDER

All Weaver products include a Lifetime Manufacturer's Guarantee © 2005

6570 W. Boekel Road • Rathdrum, ID 83858
(800) 367-4062 • (208) 687-3982
Fax (208) 687-0782

www.weaverindustries.com