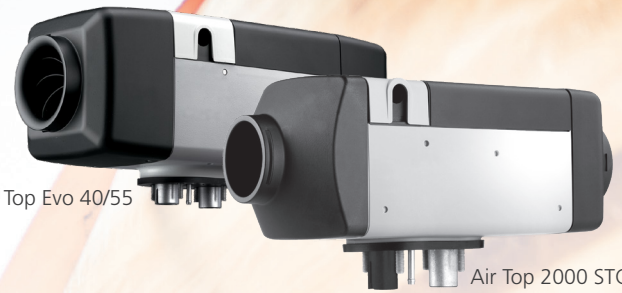


Webasto Air Heaters

Interior Heating Solutions for the RV Market



Air Top Evo 40/55

Air Top 2000 STC

- Up to 7,000 BTU/h output Air Top 2000 STC
- Up to 13,650 BTU/h output Air Top Evo 40
- Up to 18,800 BTU/h output Air Top Evo 55
- Compact design, easy installation
- Quiet operation & low fuel consumption
- High heat output
- Diesel-fueled, directly fed from the tank
- More space inside due to the possibility of outside installation
- CARB approved and EPA SmartWay verified



SmarTemp Control 3.0 Bluetooth:

- Works with both air and coolant heaters
- Same features as SmarTemp 3.0
- Bluetooth connection to SmarTemp 3.0 App
 - View diagnostic information
 - Manage & control heater function
 - Link to techwebasto.com
 - Program settings of multiple units

Webasto
Feel the Drive

Technical Specifications

Air Top 2000 STC	
Heating Capacity	3,100 – 7,000 BTU/h (0.9 – 2.0 kW)
Fuel	Diesel #1, Diesel #2, Arctic, Biodiesel B5 & B20, Gasoline
Fuel Consumption	0.03 – 0.06 gal/h (0.12 – 0.24 l/h)
Rated Voltage	12 or 24 V
Operating Voltage Range	10.5 – 16 or 21 – 32 V
Rated Input	1.25 – 2.45 Amps (14 – 29 Watts)
Air Flow	55 cfm (93 m ³ /h)
Dimensions (L x W x H)	12.25 x 4.78 x 4.85 in (311 x 120 x 121 mm)
Weight	5.73 lbs (2.6 kg)



	Air Top Evo 40		Air Top Evo 55	
ECE approval number ECE R122 (heating)	E1 00 0385		E1 00 0386	
ECE approval number ECE R10 (EMC)	E1 04 5529		E1 04 5529	
Heating capacity, control range/boost	5,100 – 12,000 / 13,650 BTU/h (1.5 – 3.5 / 4.0* kW)	5,800 – 12,000 / 13,650 BTU/h (1.7 – 3.5 / 4.0* kW)	5,100 – 17,000 / 18,800 BTU/h (1.5 – 5.0 / 5.5** kW)	5,800 – 17,000 / 18,800 BTU/h (1.7 – 5.0 / 5.5** kW)
Fuel consumption, control range/boost	0.05 – 0.11 / 0.13 gal/h (0.18 – 0.43 / 0.49 l/h)	0.07 – 0.14 / 0.15 gal/h (0.25 – 0.51 / 0.58 l/h)	0.05 – 0.16 / 0.18 gal/h (0.18 – 0.61 / 0.67 l/h)	0.07 – 0.19 / 0.21 gal/h (0.25 – 0.73 / 0.80 l/h)
Nominal voltage	12 V	24 V	12 V	24 V
Rated power consumption, control range/boost @ 12 V	1.25 – 3.3 / 4.58 Amps (15 – 40 / 55 W)		1.25 – 7.9 / 10.8 Amps (15 – 95 / 130 W)	
Heating air volume flow against 0.5 mbar, control range/boost	77.7 / 82.4 cfm (132 / 140 m ³ /h)		117 / 129.5 cfm (200 / 220 m ³ /h)	
Fuels	Diesel, Biodiesel	Gasoline	Diesel, Biodiesel	Gasoline
Operating temperature range	–40 to +104 °F (–40 to +40 °C)		–40 to +104 °F (–40 to +40 °C)	
Dimensions (L x W x H)	16.7 x 5.8 x 6.4 in (423 x 148 x 162 mm)		16.7 x 5.8 x 6.4 in (423 x 148 x 162 mm)	
Weight	13 lbs (5.9 kg)		13 lbs (5.9 kg)	
Automatic altitude compensation	7,218 ft (2,200 m)		7,218 ft (2,200 m)	

*Increased heat output ("Boost") possible with Multi Comfort MC 04 control element (max. 6 hours)
 **Increased heat output ("Boost") possible with Multi Comfort MC 04 control element (max. 30 min.)

Optional Accessories:

SmarTemp Control 3.0:

Part Number 5013873

- Same unit controls air or coolant heater
- Programmable run times (Timers)
- Adjustable Low Voltage Disconnect (LVD)
- Preventive maintenance reminder
- Heater fault codes displayed

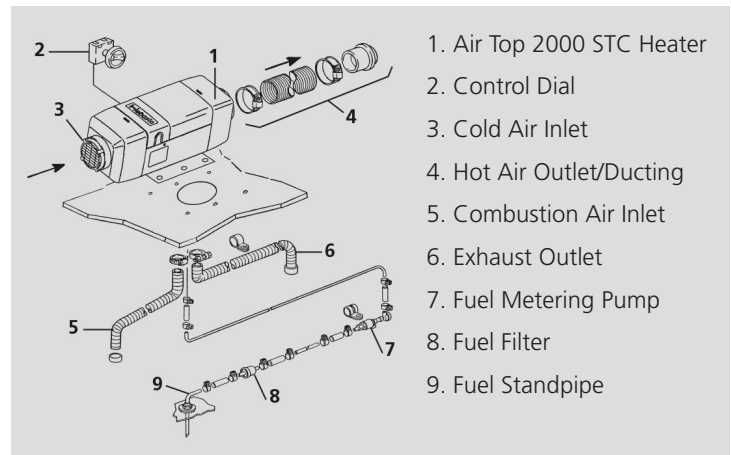


SmarTemp Control 3.0 Bluetooth:

Part Number 5013874

- Same features as SmarTemp 3.0
- Bluetooth connection to SmarTemp 3.0 App
 - View diagnostic information
 - Manage & control heater function
 - Link to techwebasto.com
 - Program settings of multiple units

System Schematic



Webasto Thermo & Comfort
North America, Inc.

15083 North Road
Fenton, Michigan 48430
USA
Toll Free: 800-860-7866
Phone: 810-593-6000

webasto-comfort.com