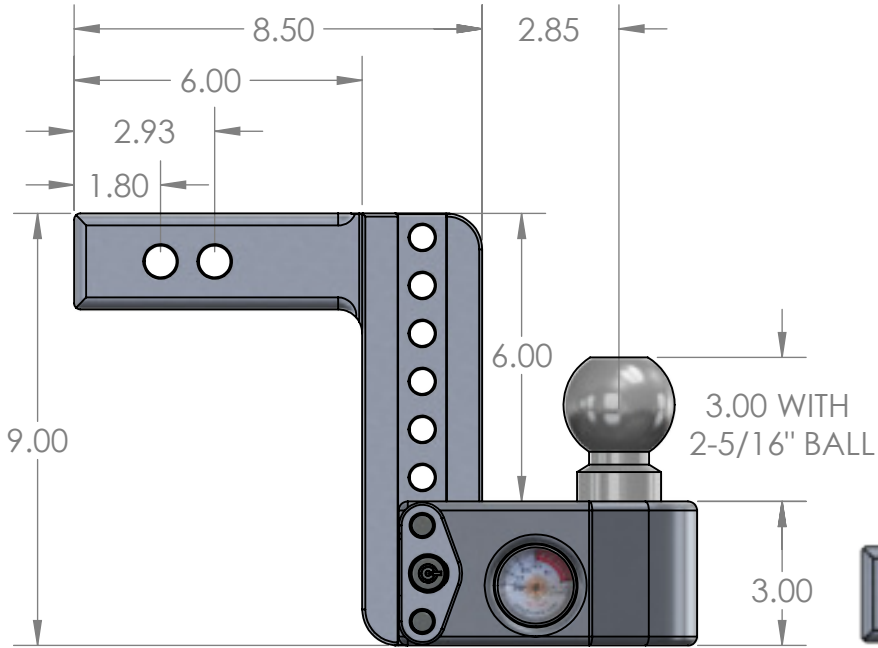


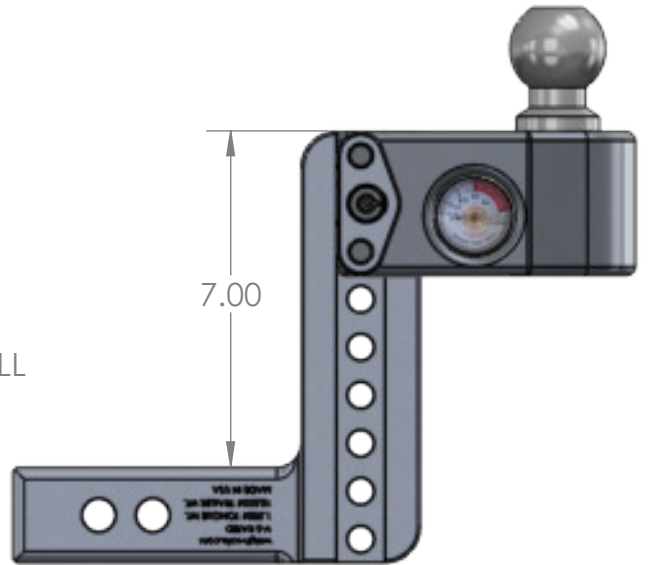
Weigh Safe, LLC WS 6X2 Hitch

Note: For all hitch manufactureres, the 'drop' is measured from the top of the reciever bar to the top of the ball housing

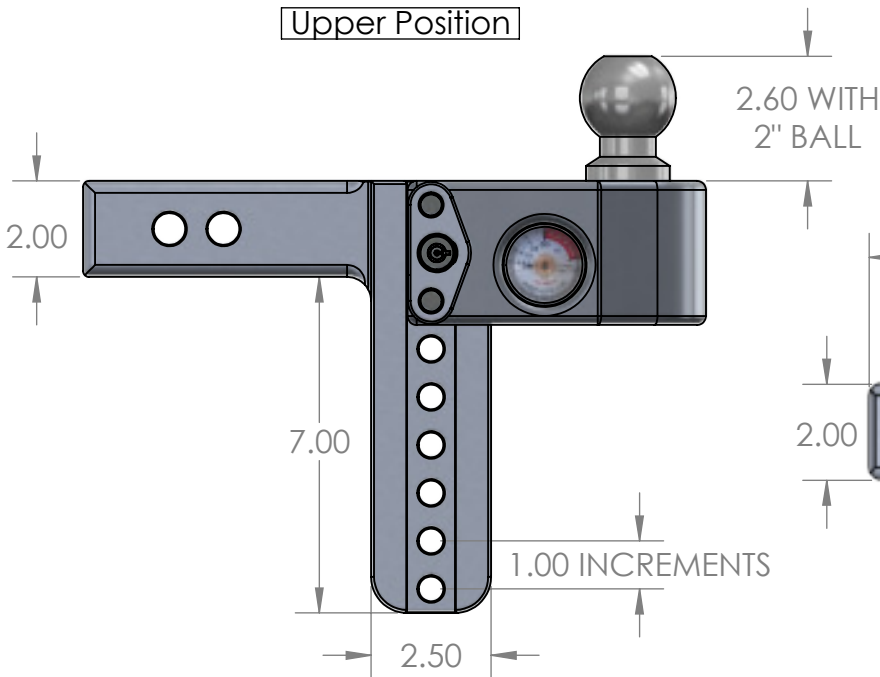
Lower Position



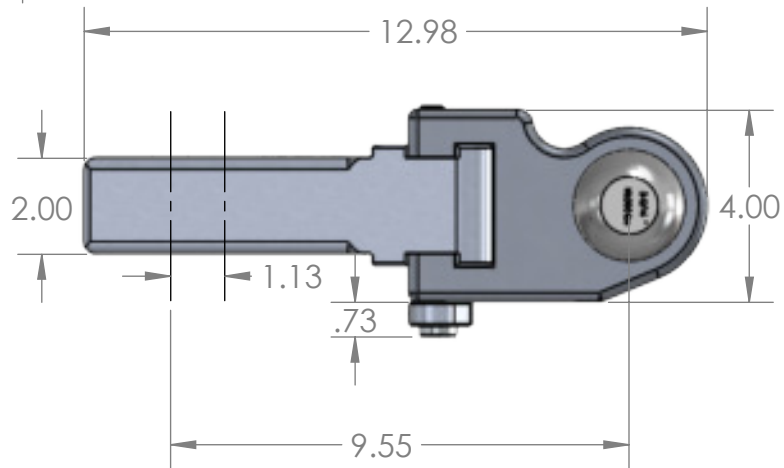
Rise Position



Upper Position



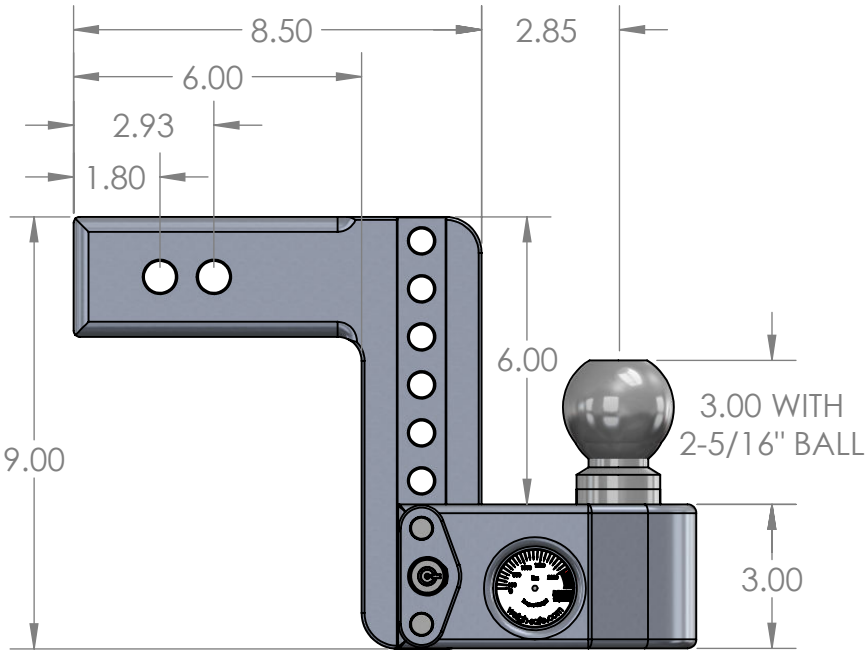
Top View



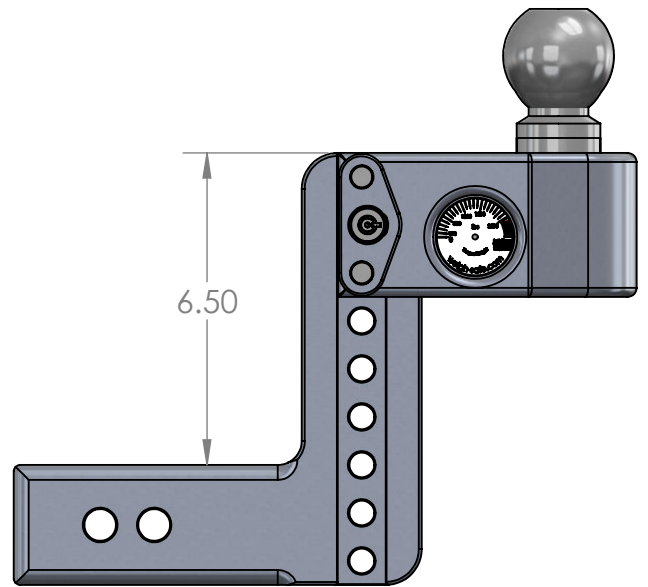
Weigh Safe, LLC WS 6X2.5 Hitch

Note: For all hitch manufacturers, the 'drop' is measured from the top of the receiver bar to the top of the ball housing

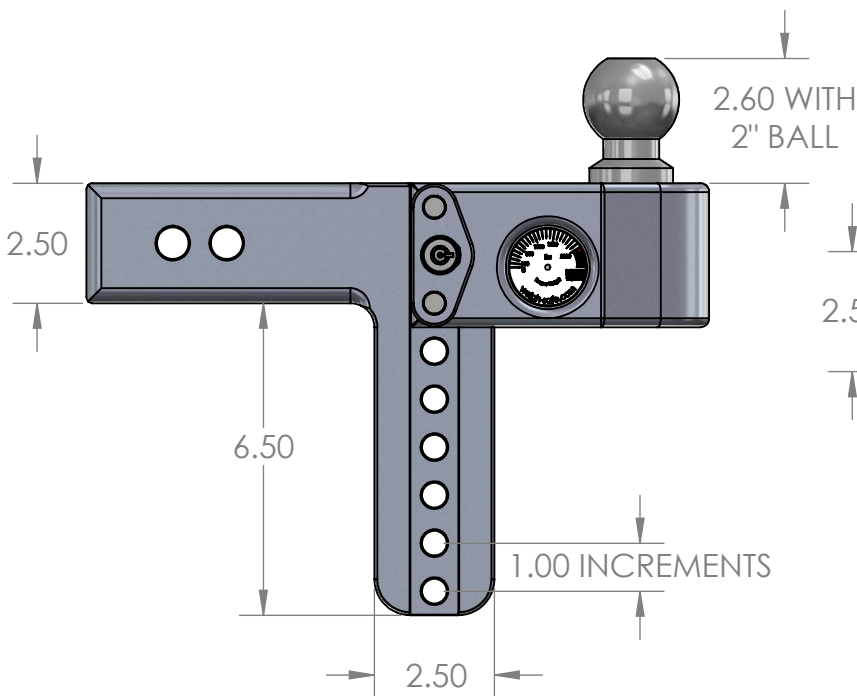
Lower Position



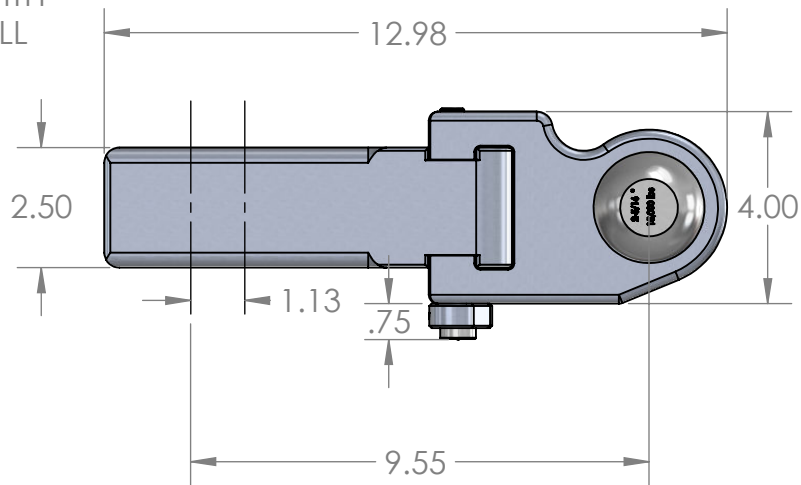
Rise Position



Upper Position



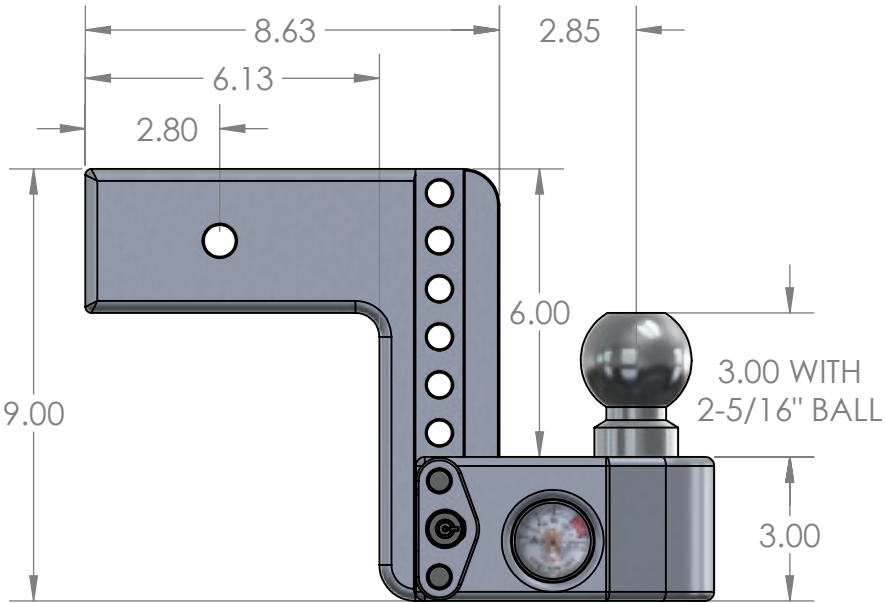
Top View



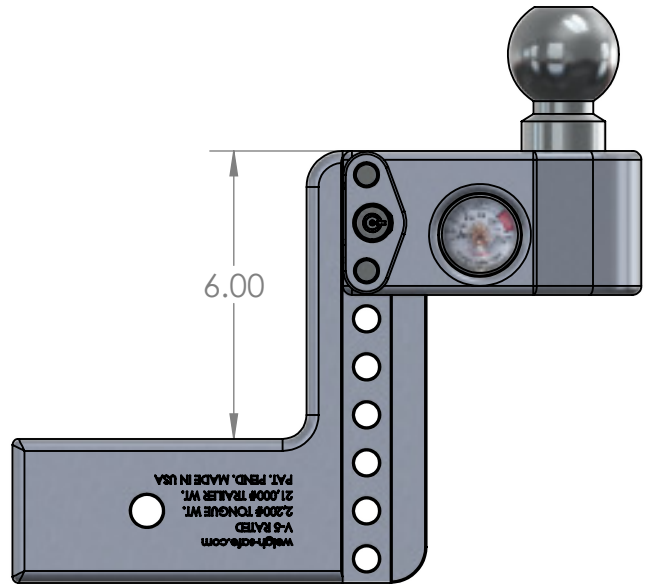
Weigh Safe, LLC WS 6X3 Hitch

Note: For all hitch manufacturers, the 'drop' is measured from the top of the receiver bar to the top of the ball housing

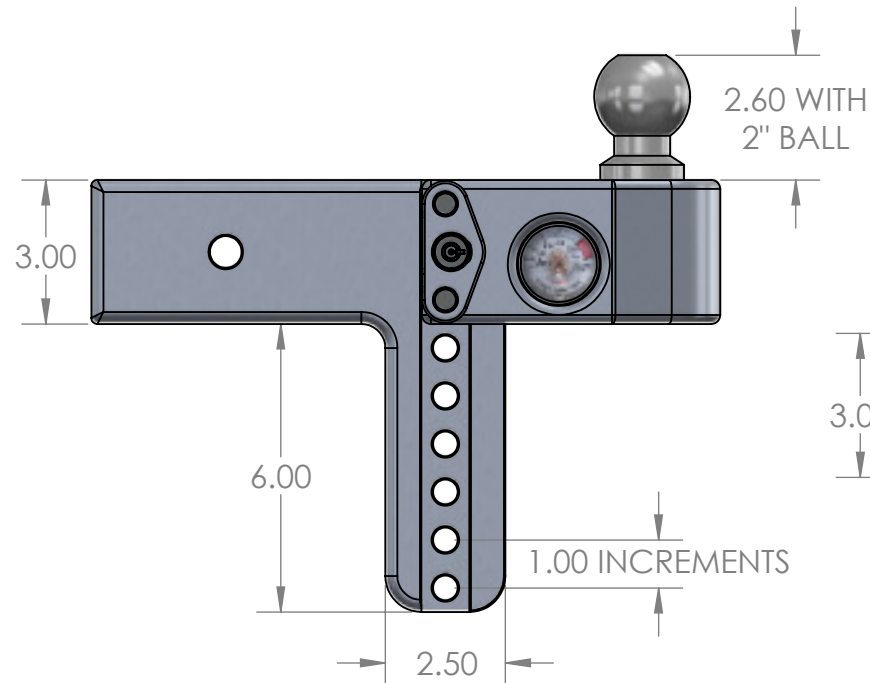
Lower Position



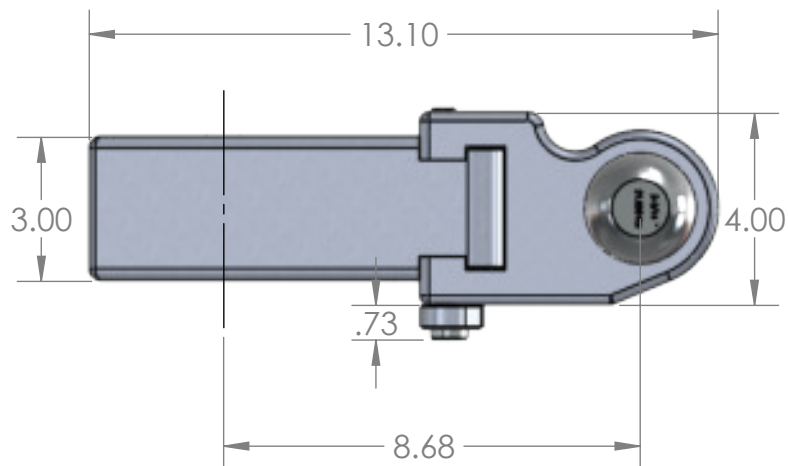
Rise Position



Upper Position



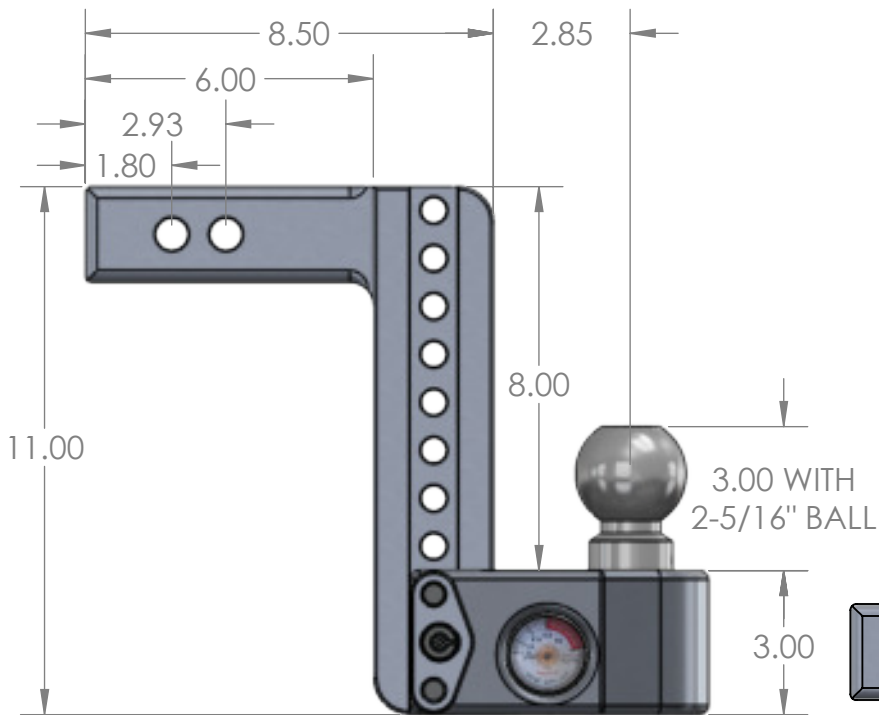
Top View



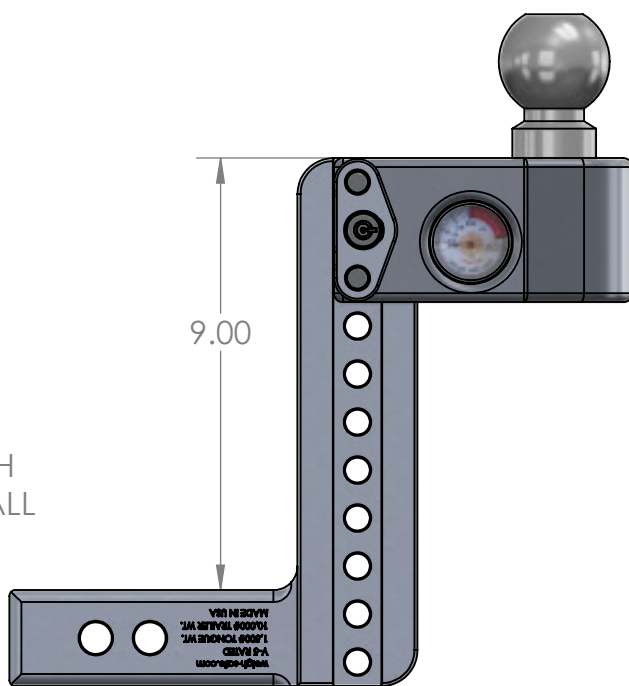
Weigh Safe, LLC WS 8X2 Hitch

Note: For all hitch manufacturers, the 'drop' is measured from the top of the receiver bar to the top of the ball housing

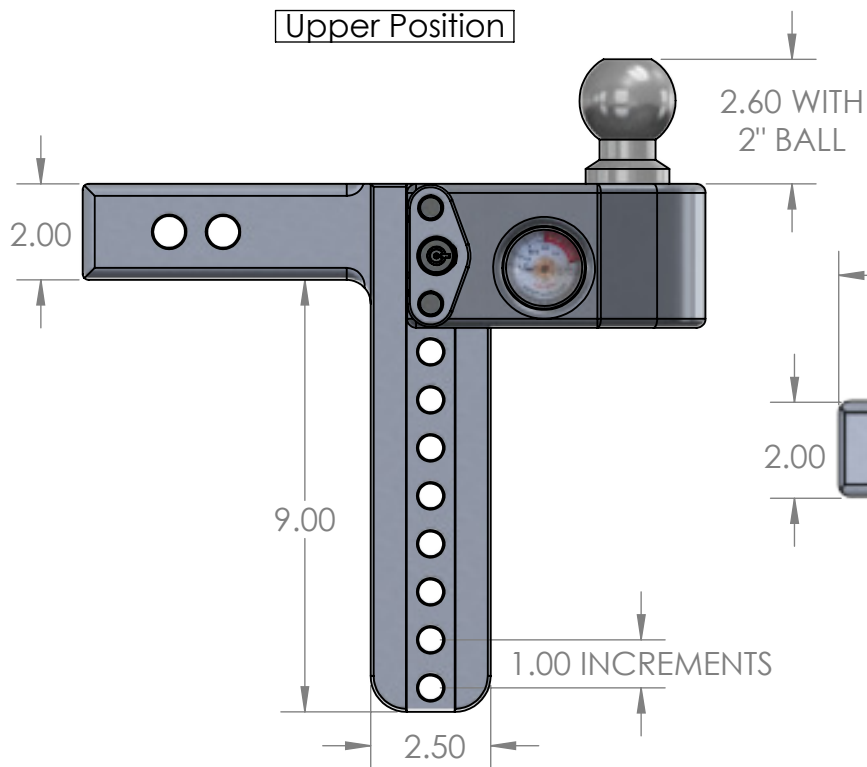
Lower Position



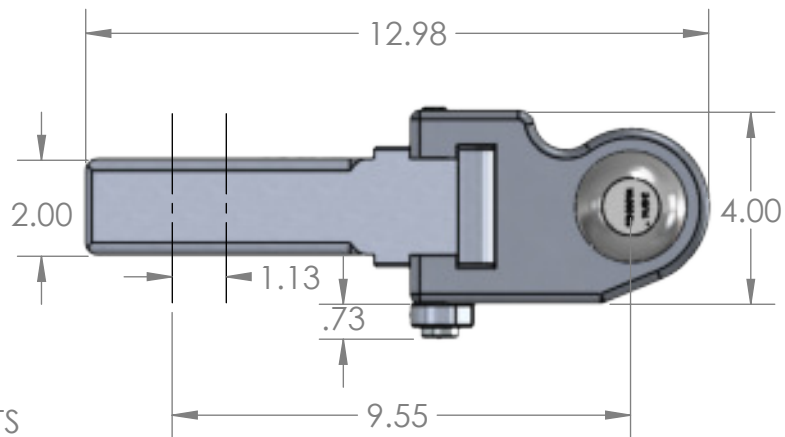
Rise Position



Upper Position



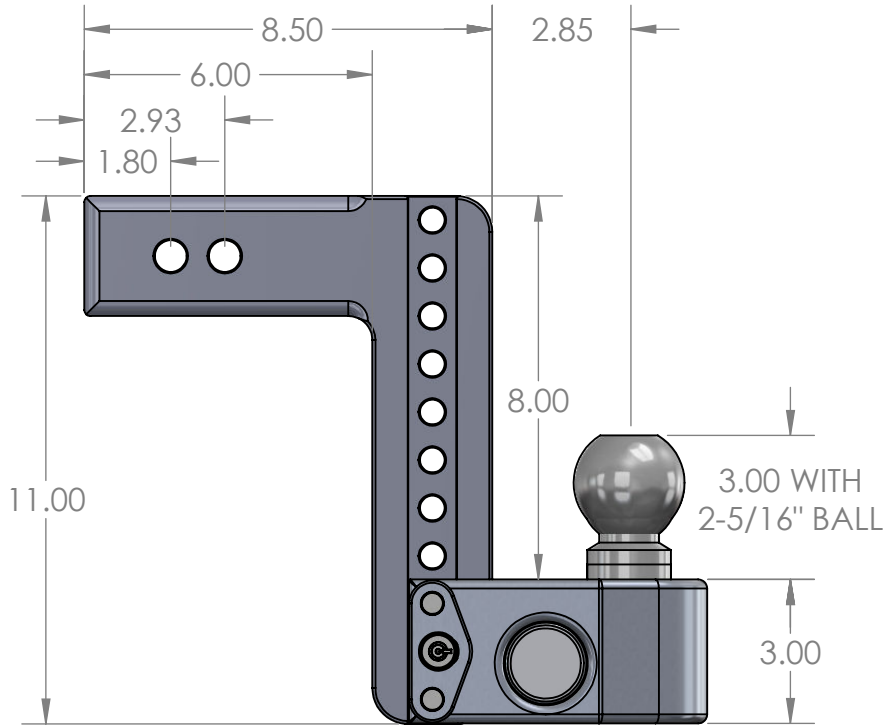
Top Position



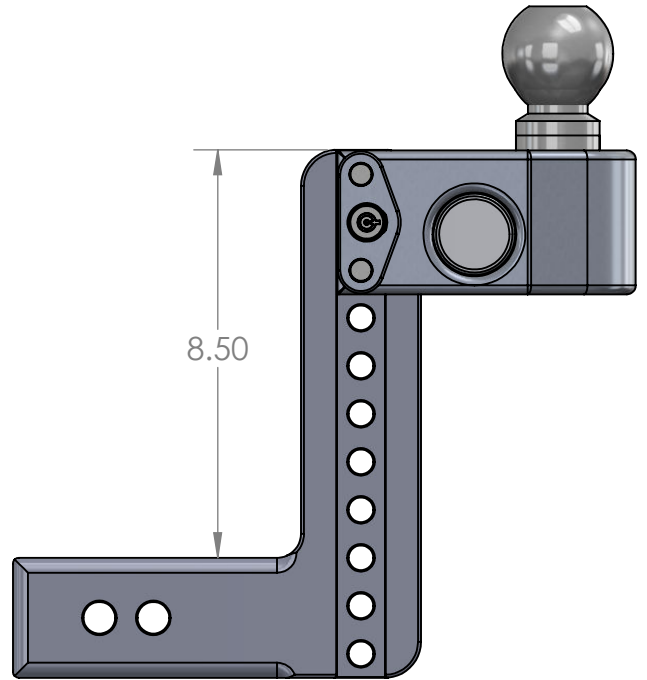
Weigh Safe, LLC WS 8X2.5 Hitch

Note: For all hitch manufactureres, the 'drop' is measured from the top of the reciever bar to the top of the ball housing

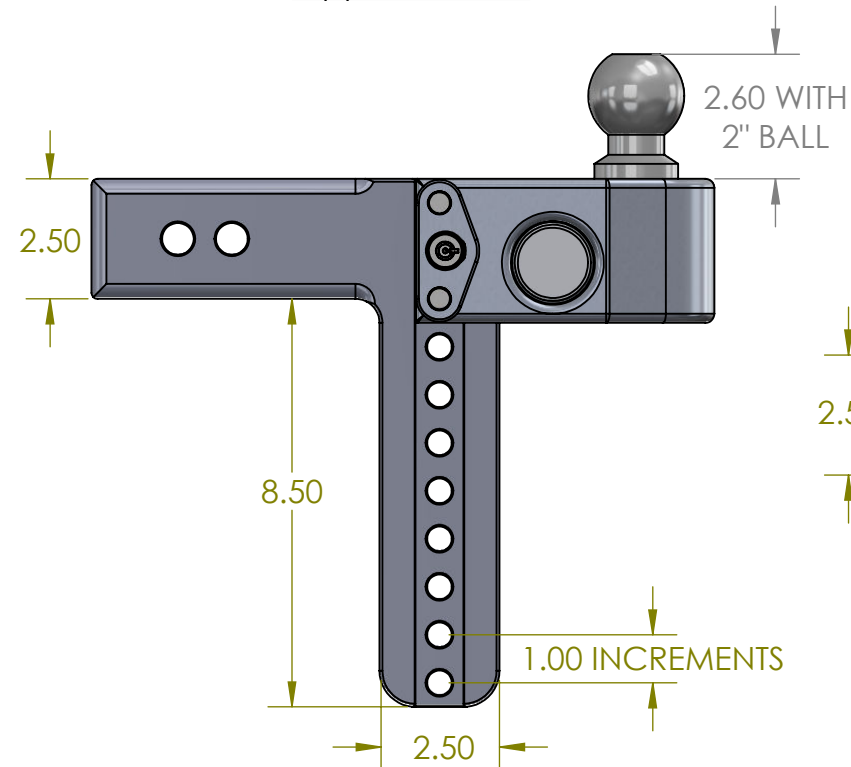
Lower Position



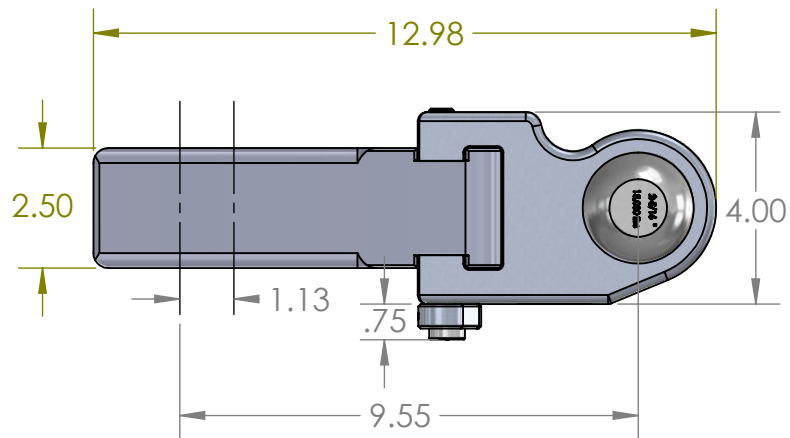
Rise Position



Upper Position



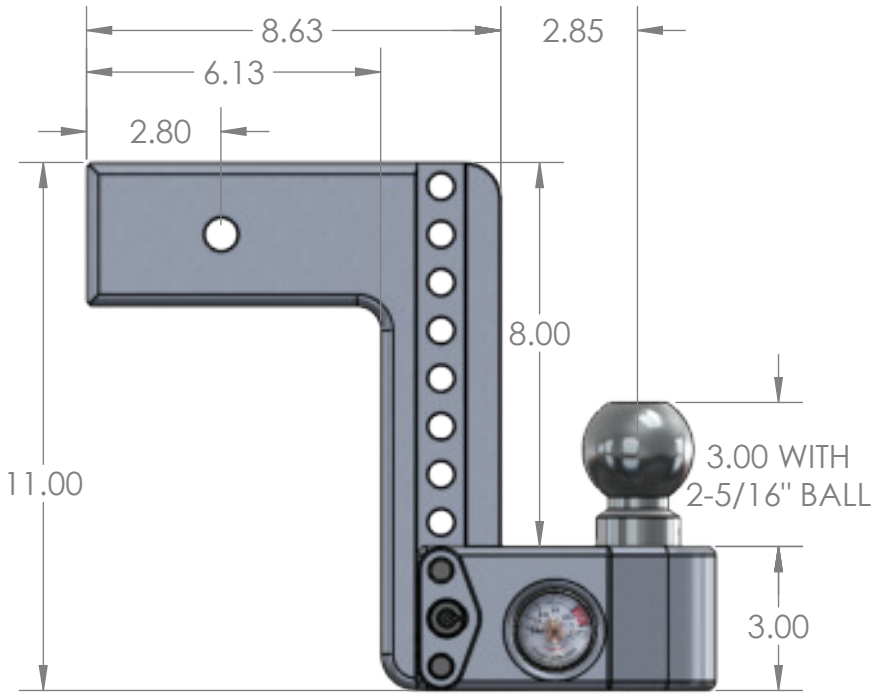
Top View



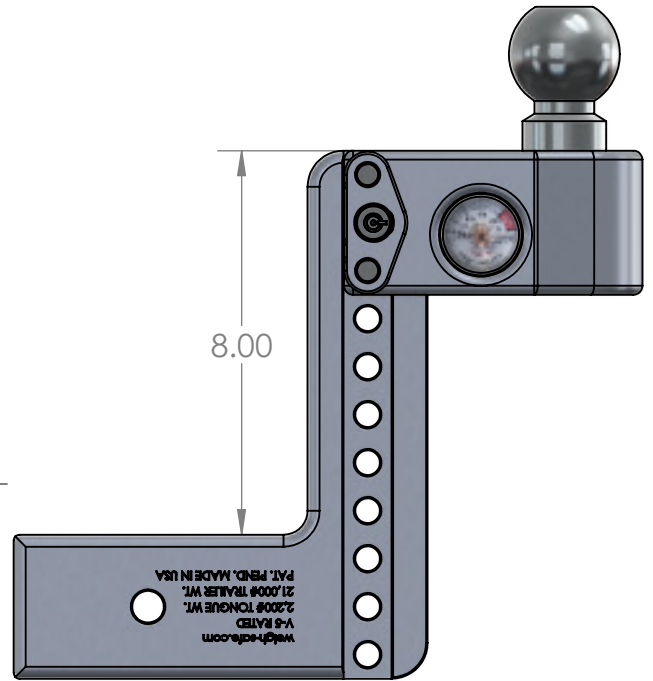
Weigh Safe, LLC WS 8X3 Hitch

Note: For all hitch manufactureres, the 'drop' is measured from the top of the reciever bar to the top of the ball housing

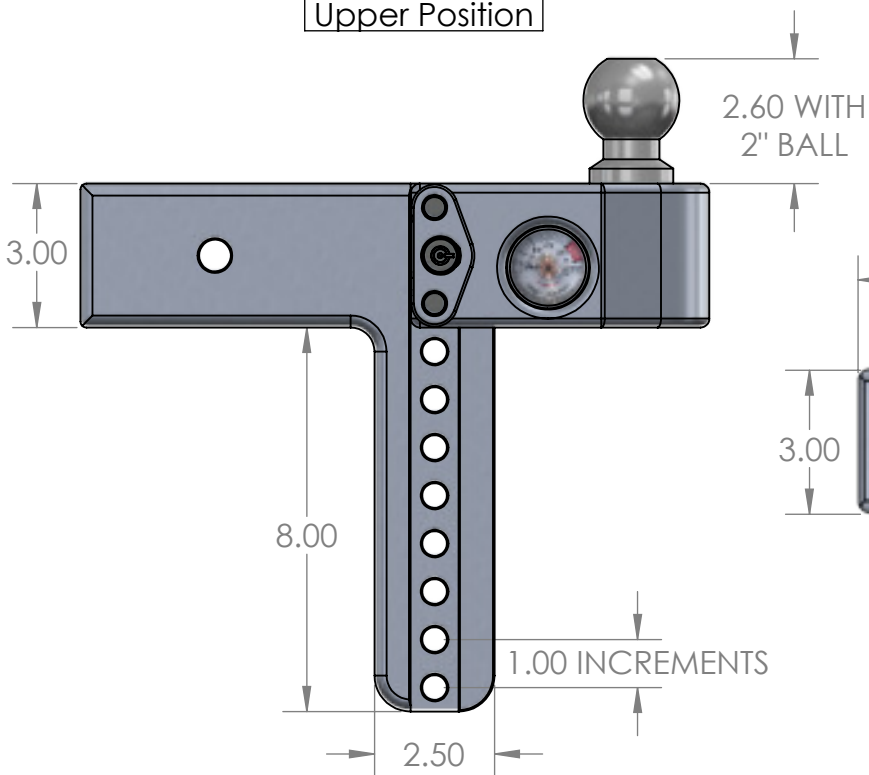
Lower Position



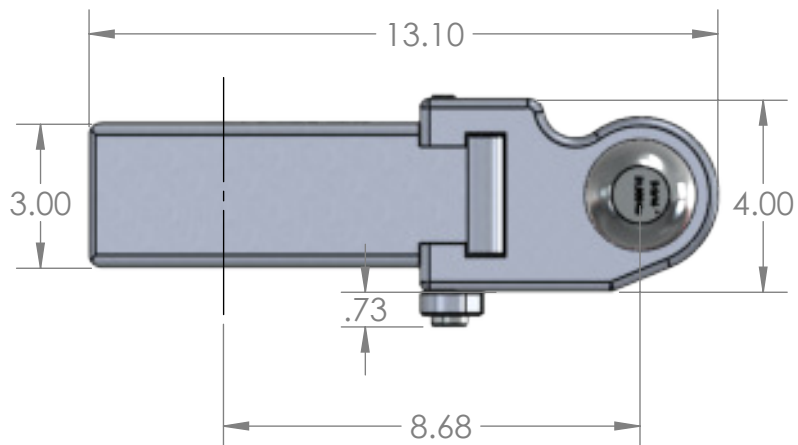
Rise Position



Upper Position



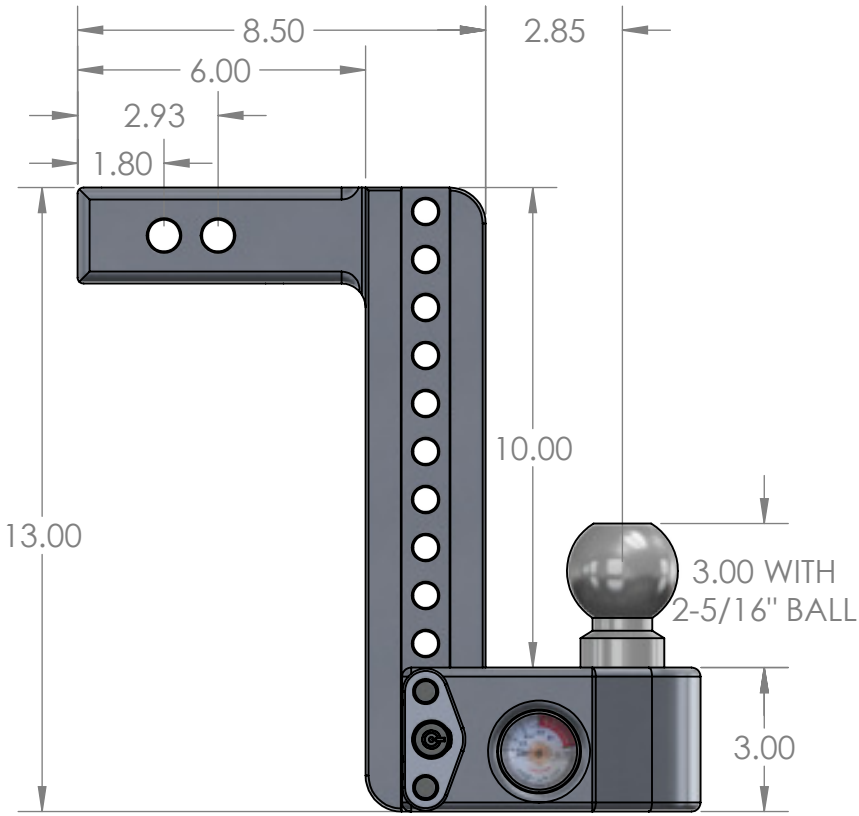
Top View



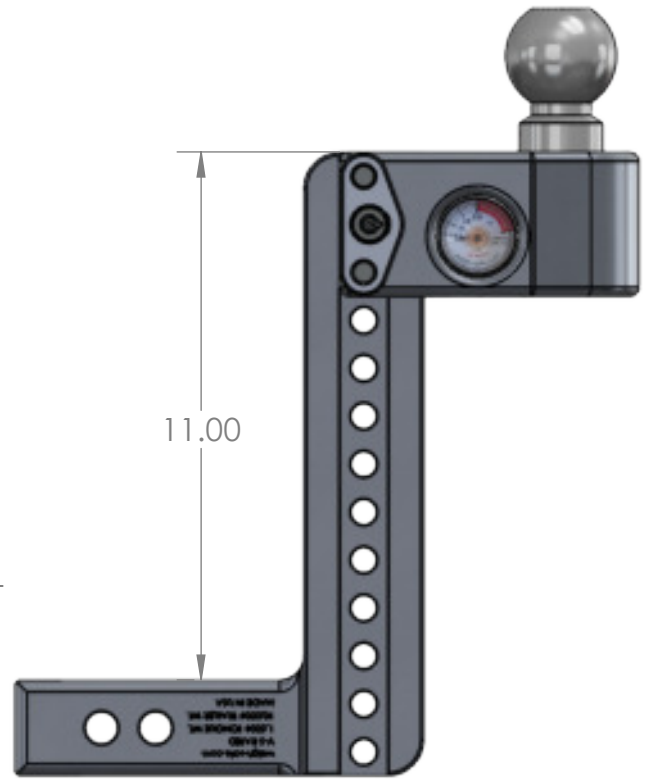
Weigh Safe, LLC WS 10X2 Hitch

Note: For all hitch manufactureres, the 'drop' is measured from the top of the reciever bar to the top of the ball housing

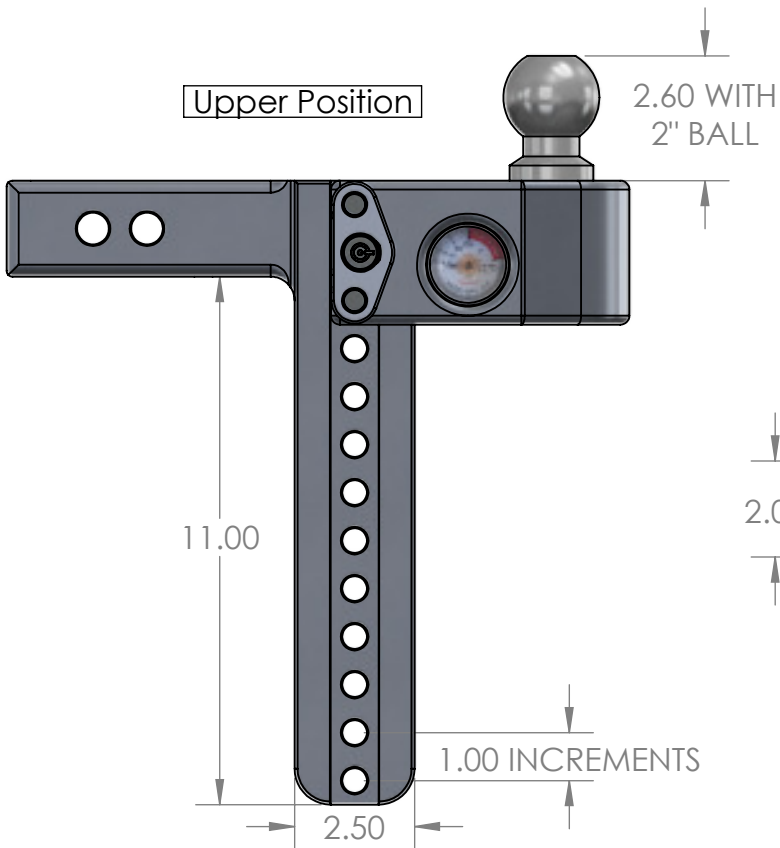
Lower Position



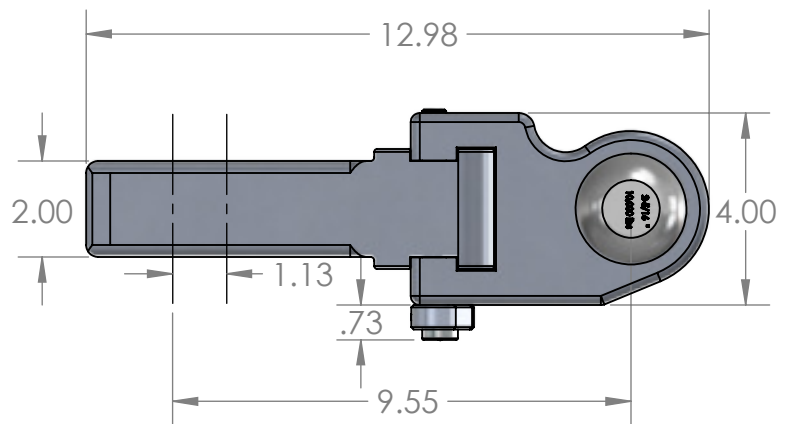
Rise Position



Upper Position



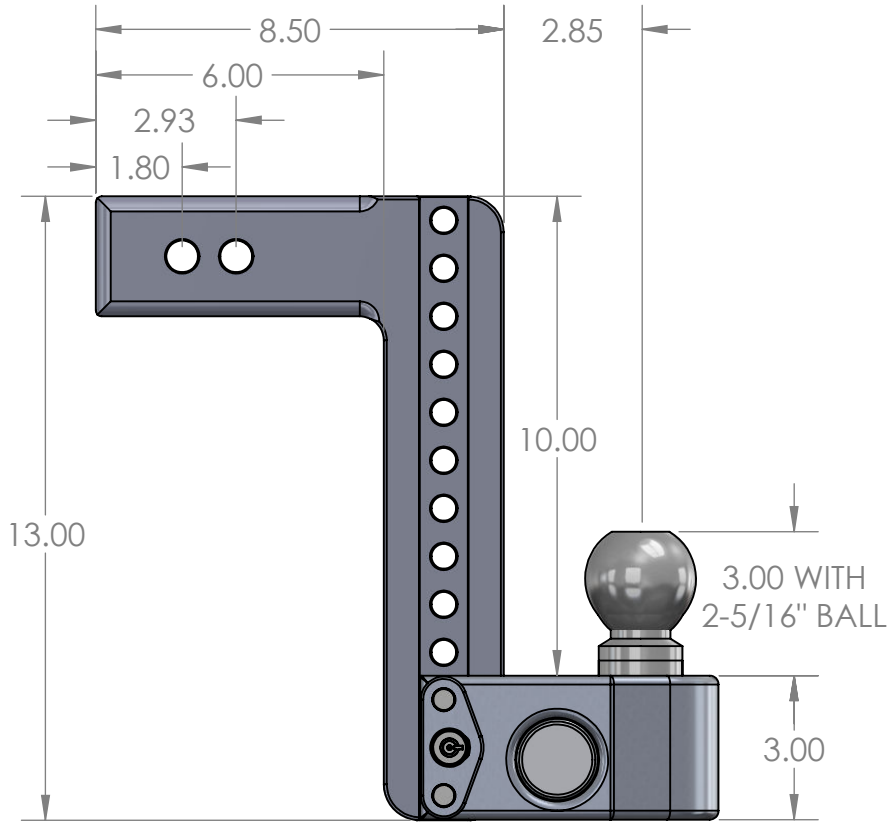
Top Position



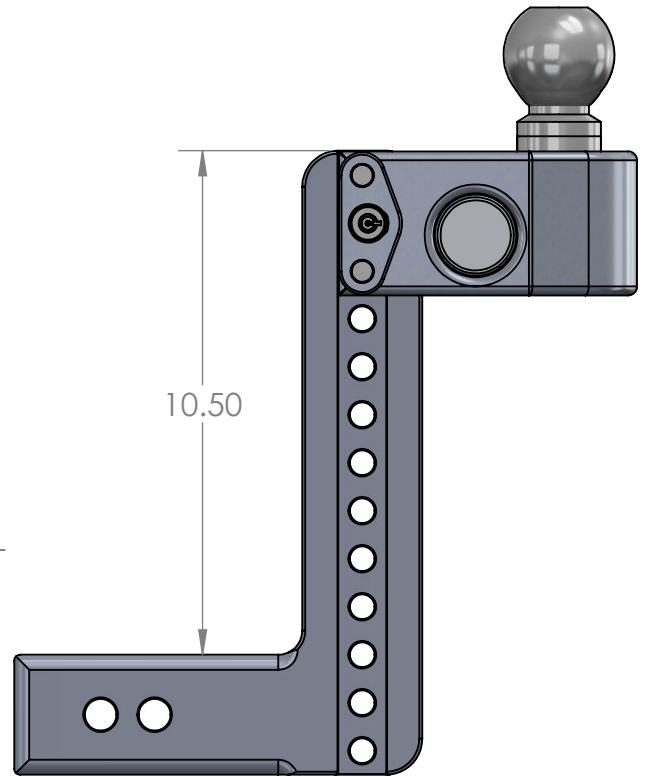
Weigh Safe, LLC WS 10X2.5 Hitch

Note: For all hitch manufactureres, the 'drop' is measured from the top of the reciever bar to the top of the ball housing

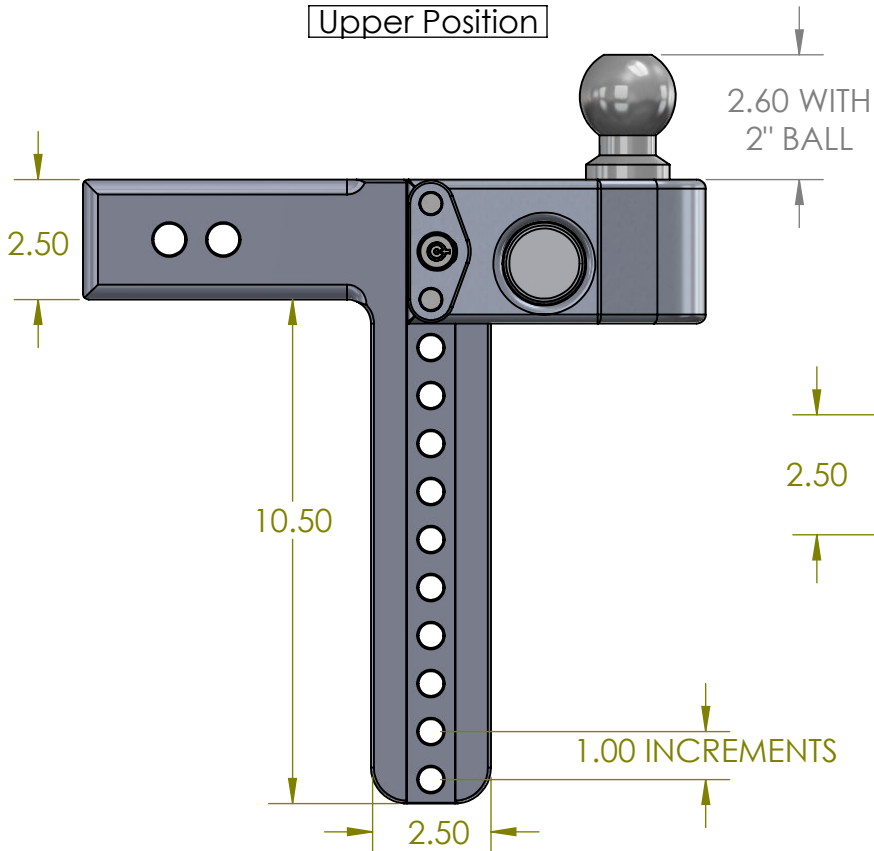
Lower Position



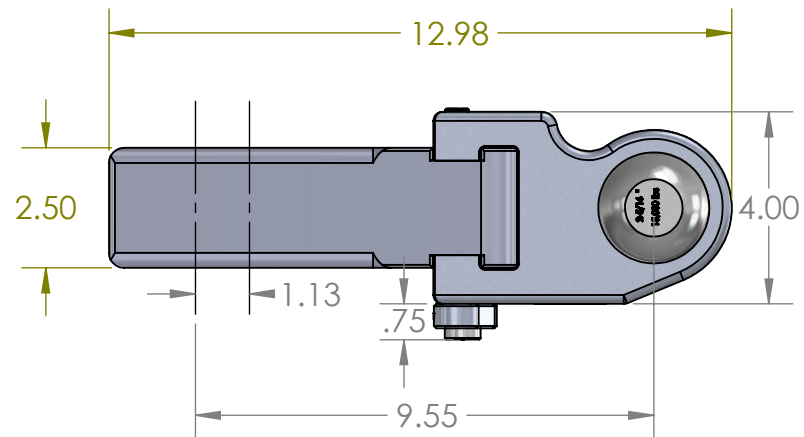
Rise Position



Upper Position



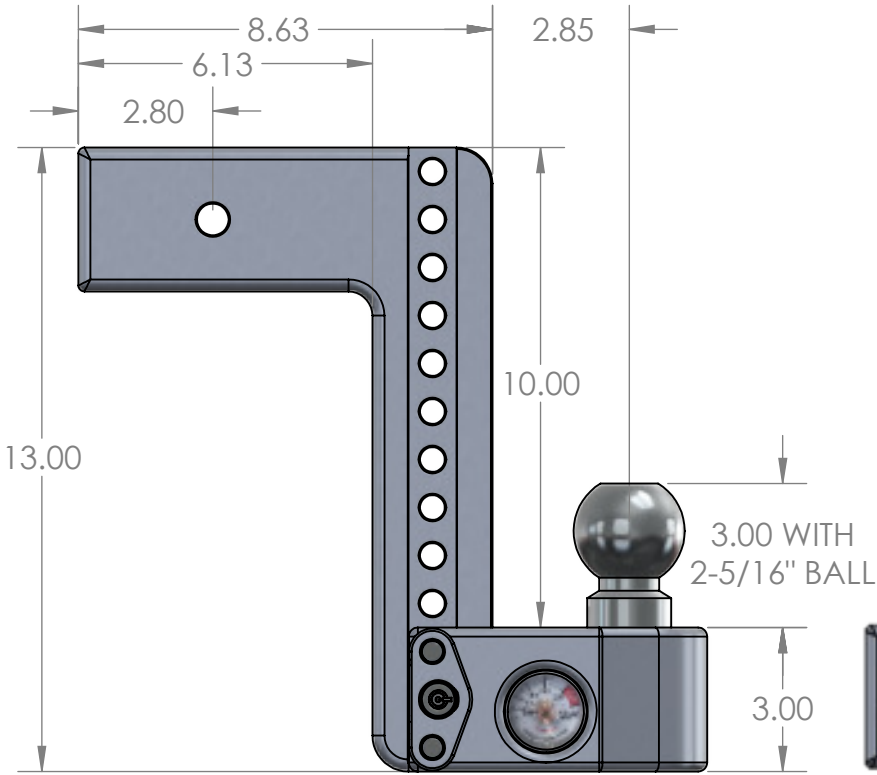
Top View



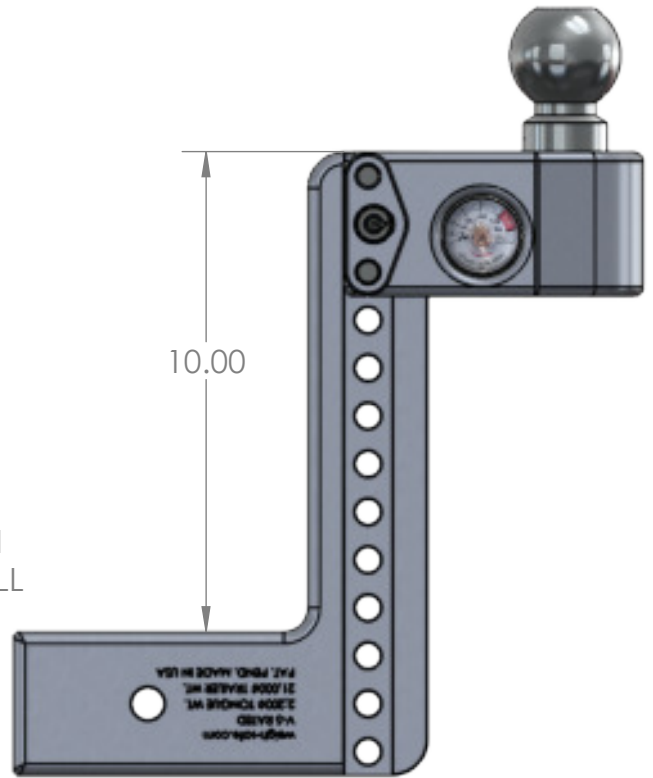
Weigh Safe, LLC WS 10X3 Hitch

Note: For all hitch manufactureres, the 'drop' is measured from the top of the reciever bar to the top of the ball housing

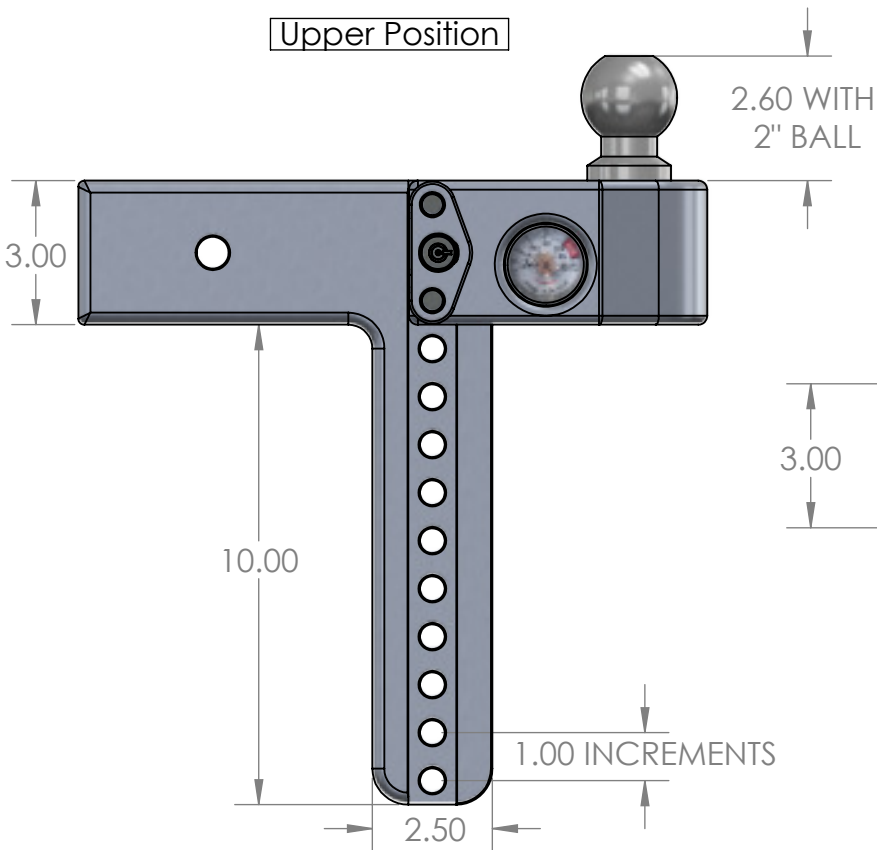
Lower Position



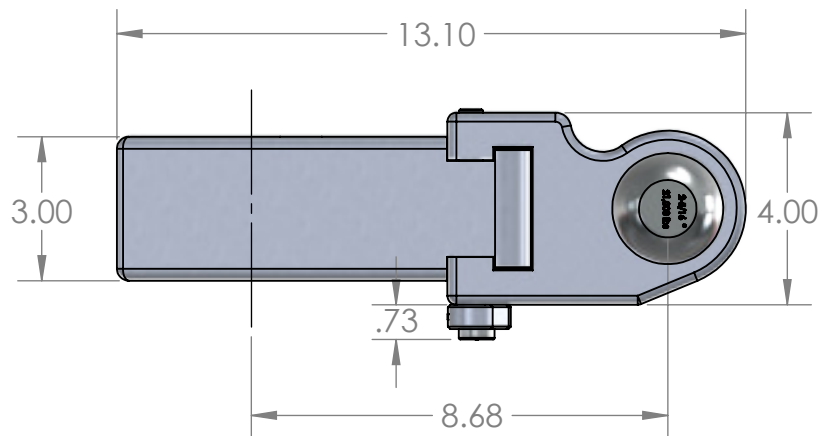
Rise Position



Upper Position



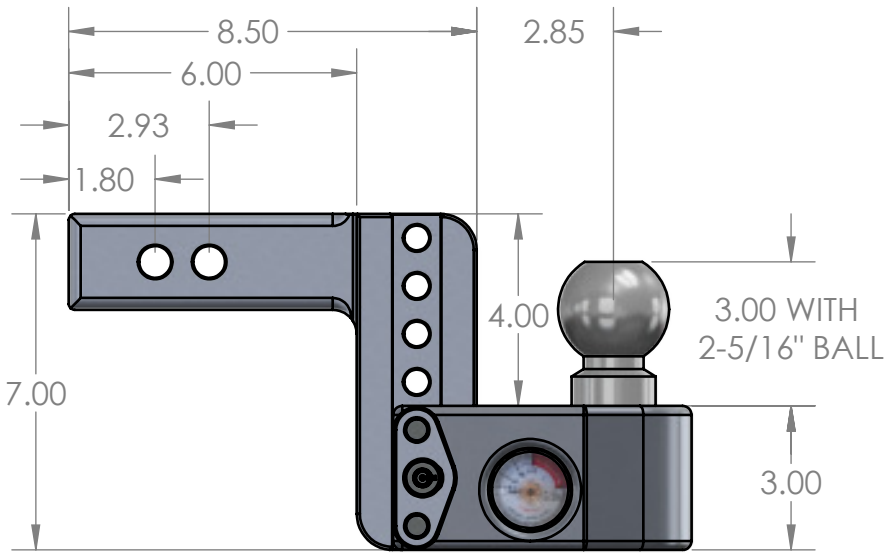
Top View



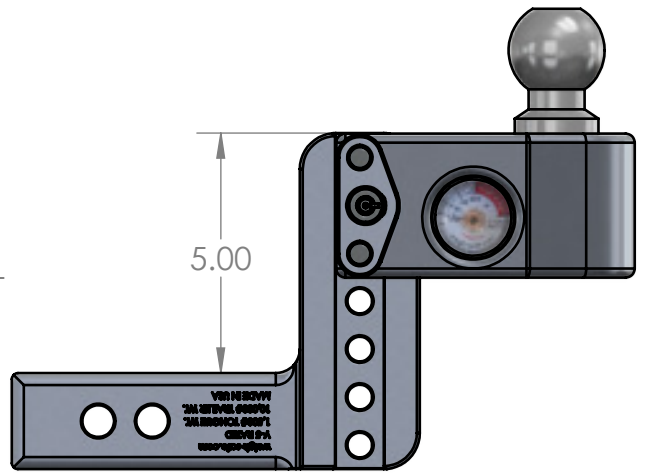
Weigh Safe, LLC WS 4X2 Hitch

Note: For all hitch manufactureres, the 'drop' is measured from the top of the reciever bar to the top of the ball housing

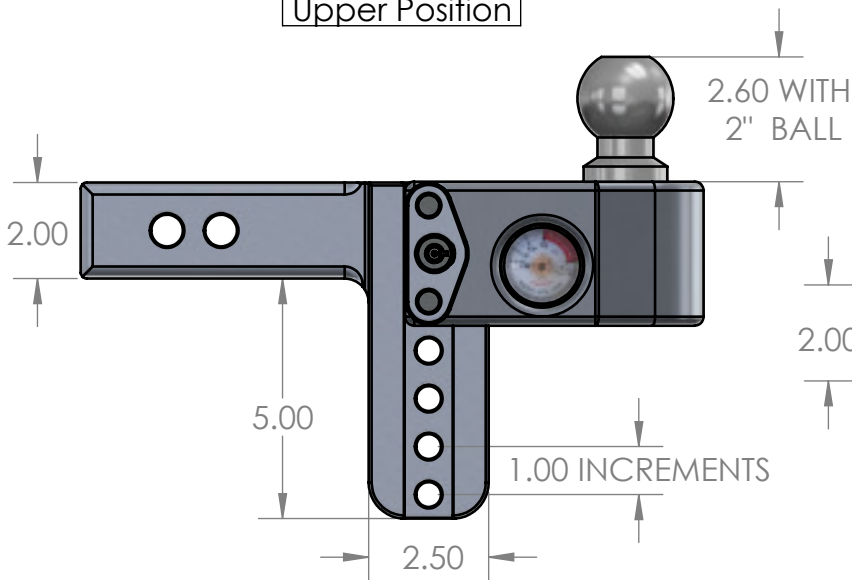
Lower Position



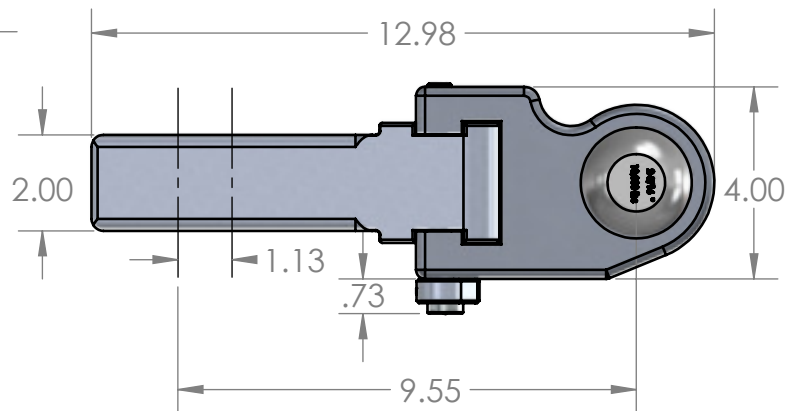
Rise Position



Upper Position



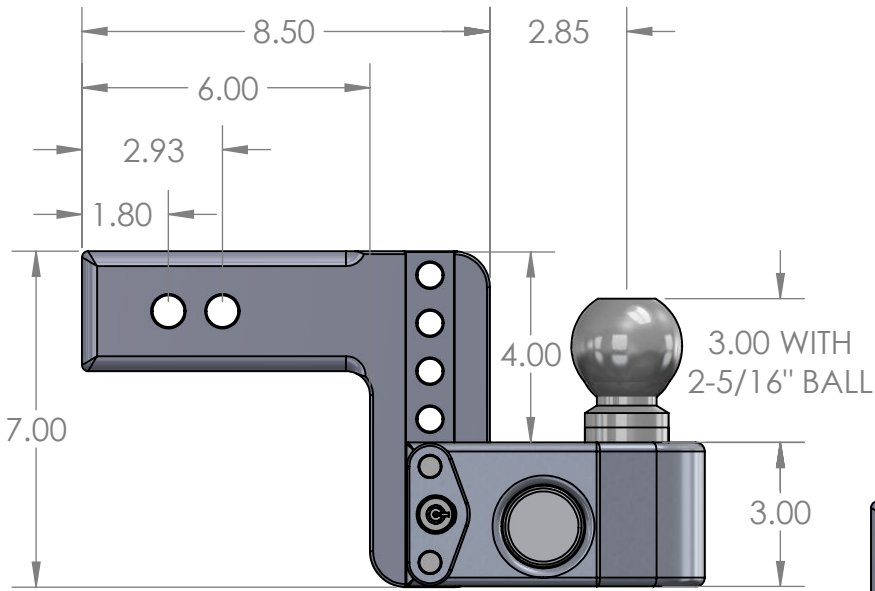
Top View



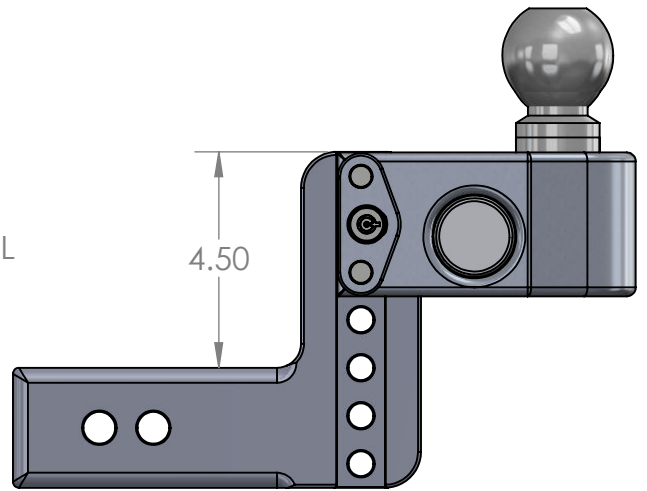
Weigh Safe, LLC WS 4X2.5 Hitch

Note: For all hitch manufactureres, the 'drop' is measured from the top of the reciever bar to the top of the ball housing

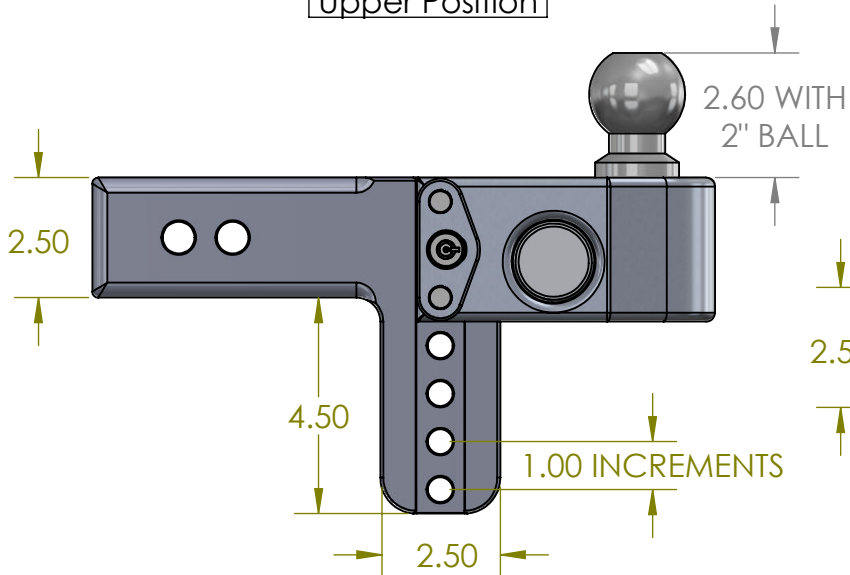
Lower Position



Rise Position



Upper Position



Top View

