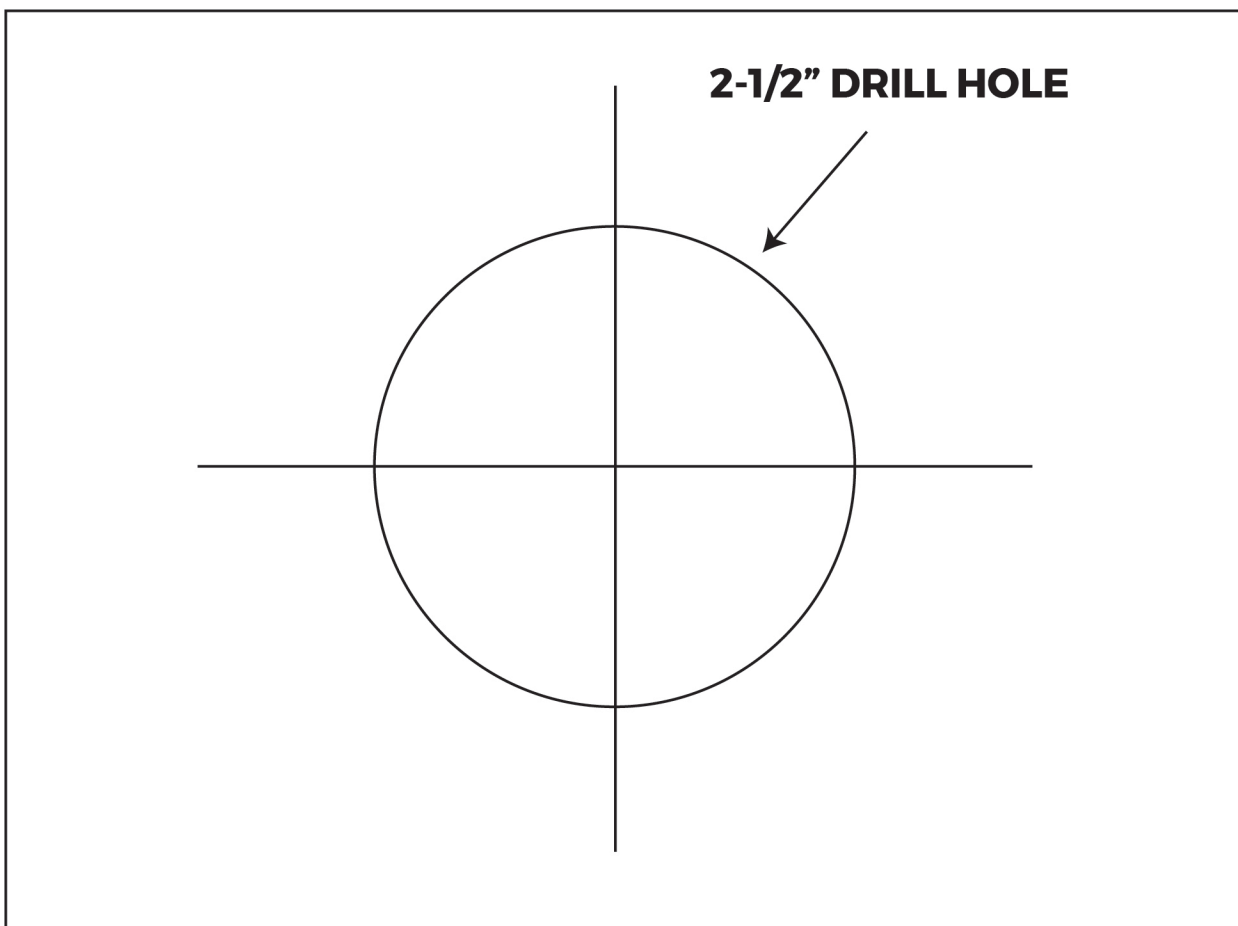


**MOUNTING TEMPLATE**



**MAXIMUM SIZE DRILL HOLE: 2-1/2"**



**PN# 6228B**