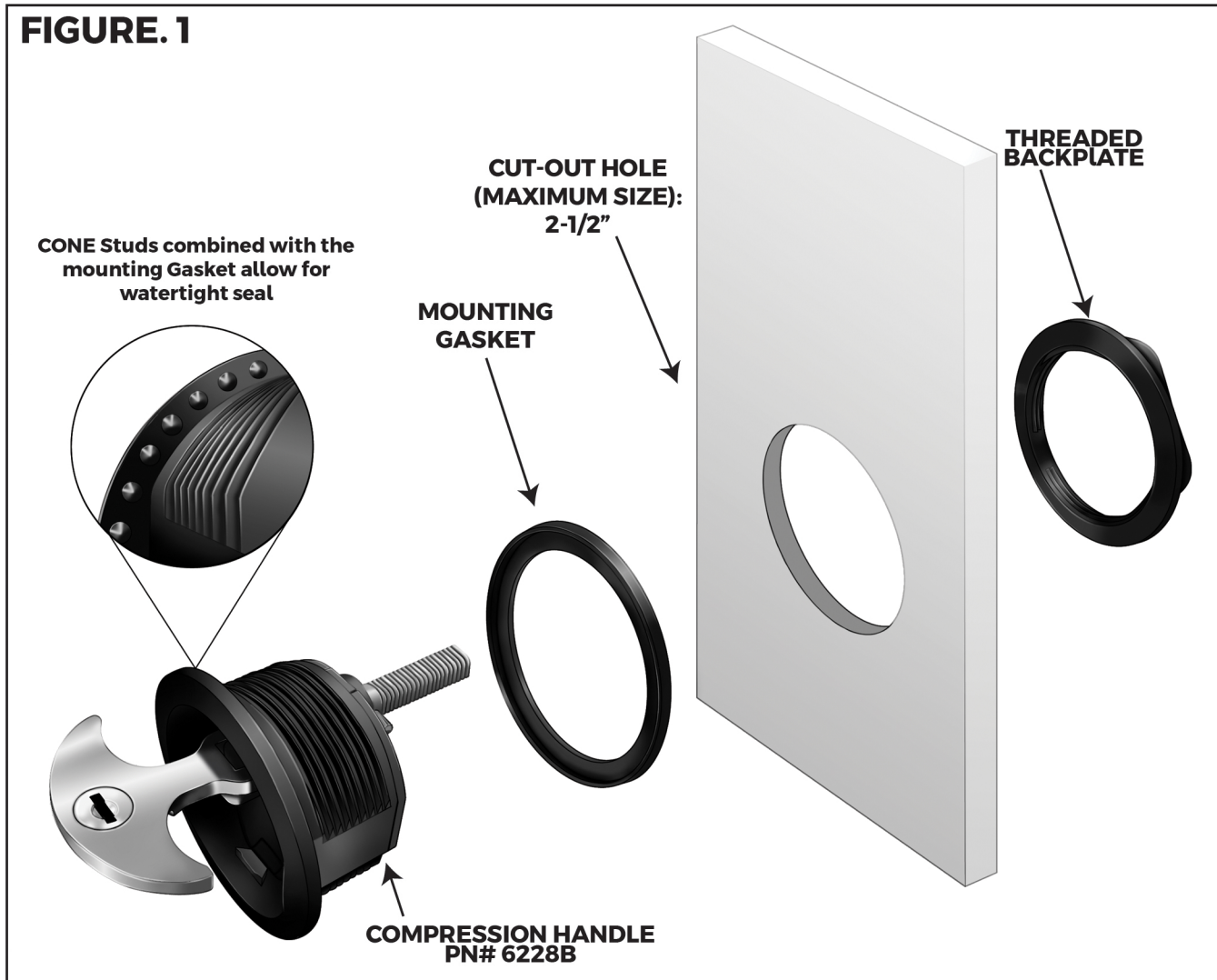
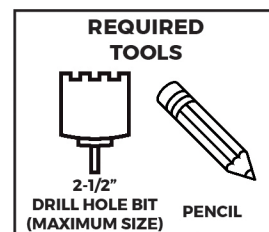


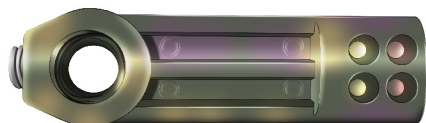
INSTALLATION INSTRUCTIONS:

- 1: Mark center of Cut-Out hole for drilling with a pencil.
- 2: Drill 2-1/2" (MAXIMUM SIZE) hole through the Mounting surface using drill hole bit.
- 3: Follow Fig. 1 For installation. (note: Use mounting gasket for smooth surfaces)
- 4: Assemble provided cam bar onto compression handle with proper adjustments.
(Set screw and Stainless Steel Nut Included)

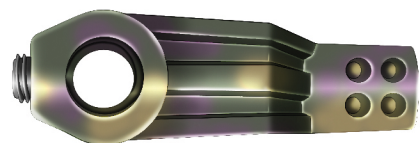


COMPATIBLE CAM BARS

ZINC



**S-0226SL
FOR FRESHWATER USE ONLY**



**S-0226SO
FOR FRESHWATER USE ONLY**

316 STAINLESS STEEL



S-0226SLSQ



S-0226SOSQS