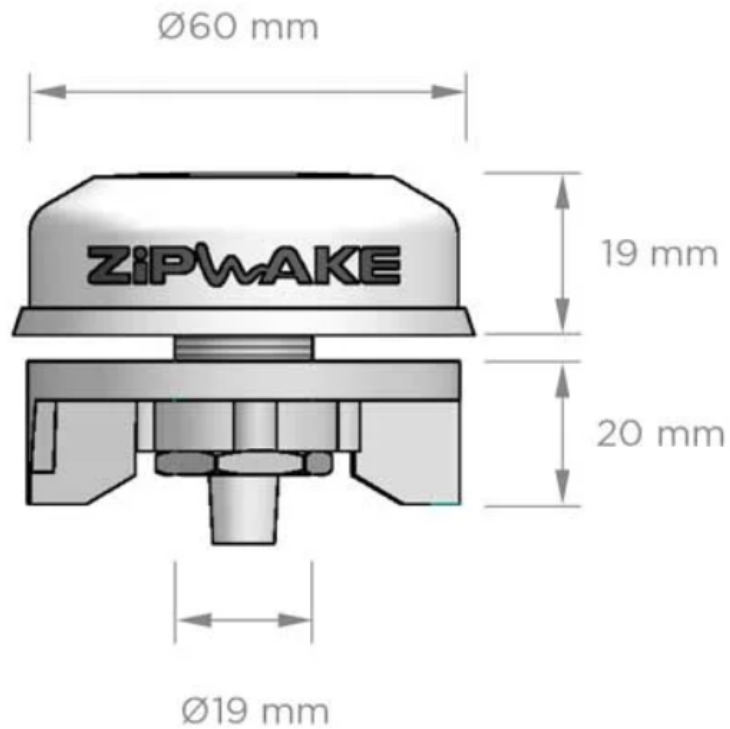




Pole mount



Surface mount